



BALDWIN®
ESTATE

PRICE BOOK
DECEMBER 2011

Estate door hardware is the start of the grand style that can be carried throughout the home with coordinating interior* hardware. With Baldwin's Estate line of products, the options are nearly endless.



CLASSIC

Classical. Comforting. Inviting. Architecturally inspired designs exemplifying timeless sophistication.



COLONIAL

Simple. Puritan. Unadorned. The beauty of function, expressed by the explicitness of form.



CONTEMPORARY

Sleek. Minimalistic. Streamlined. Exceptional presence reflecting hopeful visions of the future.



COUTURE

Decadent. Elegant. Sophisticated. A stylish declaration celebrating grace and unrivaled beauty.



FEDERAL

Stately. Inspired. Refined. Elegant reflections of traditional grandeur with a formal, stately air.



FRENCH

Vibrant. Delicate. Fanciful. Functional elegance with a celebration of the joyous spirit.



RUSTIC

Solid. Modest. Inviting. Clean and simple lines with a weathered and aged feel.

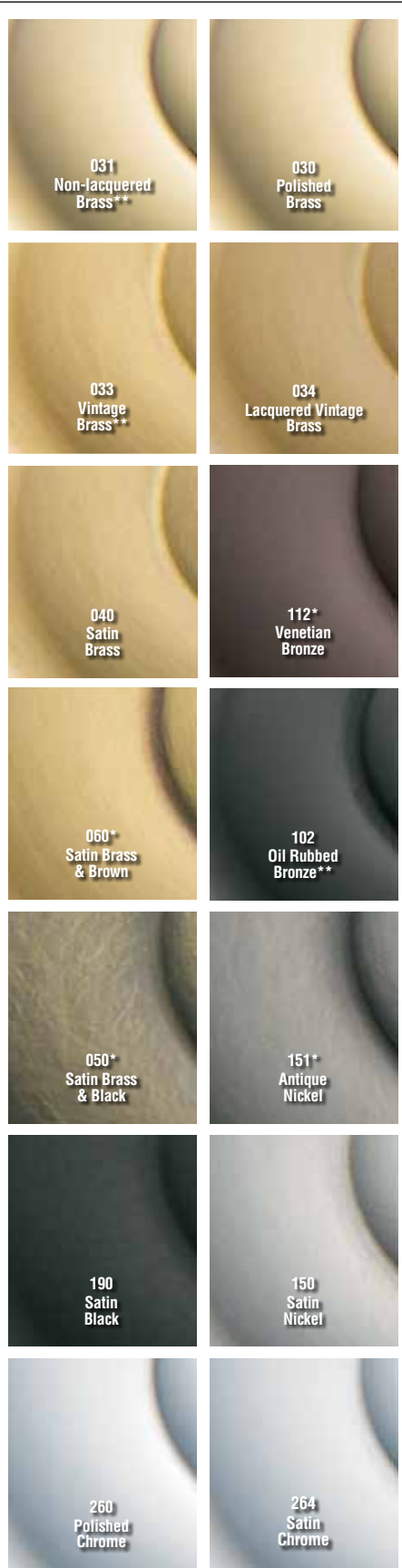


VICTORIAN

Opulent. Intricate. Distinctive. Richly detailed ornamentation for an aura of inspired luxury.

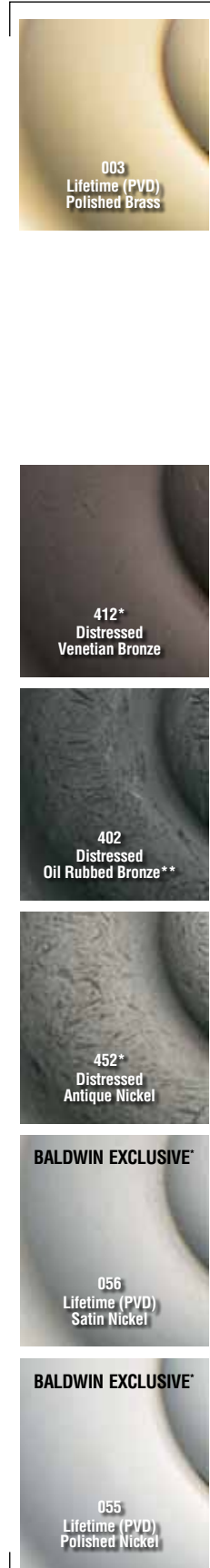
ESTATE FINISHES

TIER 1



TIER 1

TIER 2



TIER 2

DISTRESSED FINISHES:

Not all hardware is available Distressed. The rugged tumbling process would damage some components. In cases where distressing is not possible, the equivalent non-distressed finish will be provided.

412 = 112

402 = 102

452 = 152 Antique Nickel with Matte laquer (151 has gloss laquer)

Hardware NOT available distressed includes:

- > All mortise locks, cylinders, latches, strikes
- > Certain levers & handleset trim (noted on those pages)

* HAND-RELIEVED FINISH VARIANCES:

(050, 060, 112, 151, 412, 452)

Product finishes which are HAND RELIEVED may vary in luster, hue and appearance as a result of handcrafted variances in the final finishing step.

** LIVING FINISH

(031, 033, 102, 320, 324, 402)

Product finishes which are LIVING will vary over time. They are not eligible for finish warranty.

TIER 1 FINISHES: STAINLESS STEEL HARDWARE ONLY



Baldwin #	US #	BHMA #
030 =	3	605
031 =	3NL	-
040 =	4	606
050 =	5	609
060 =	6	608
102 =	10B	613
150 =	15	619
190 =	19	622
260 =	26	625
264 =	26D	626
324 =	32D	630

WITH OVER 117,000 DIFFERENT POSSIBILITIES THE OPTIONS ARE NEARLY ENDLESS

20 FINISHES

89 KNOBS & LEVERS

66 ROSES

Estate offers homeowners the ultimate in flexibility. Combine your choice of knob or lever with any Estate rosette, in a wide variety of quality Baldwin finishes.



Create a one-of-a-kind lock that is a true fit to your design vision.



LOG ON TO WWW.BALDWINHARDWARE.COM AND USE THE LOCK DESIGNER PAGE TO SET UP YOUR TRULY CUSTOM KNOB, LEVER & ROSE COMBINATIONS.

BALDWINHARDWARE.COM



BALDWIN ESTATE, GENERAL HARDWARE & CABINET HARDWARE.

Unless otherwise communicated, all products in these categories will ship from the Baldwin distribution center within 2 to 3 weeks from date of order entry.

BALDWIN MULTI-POINT TRIMS

Unless otherwise communicated, all products in this category will ship from the Baldwin distribution center within 4 weeks from date of order entry.

BALDWIN KEYLESS ENTRY

All products in this category will ship from the Baldwin distribution center within 2 to 3 weeks from date of order entry.

FREIGHT AND EXPEDITED FREIGHT:

Orders over \$1000 receive freight prepaid by Baldwin. Baldwin will utilize standard ground transportation unless otherwise indicated. In addition to ground freight Baldwin offers 3 types of expedited freight at the customer's cost. Next Day, Two Day & 3 Day. To request expedited freight just indicate which of the 3 options you prefer. On orders under \$1000 and orders that request expedited freight, the cost of shipping will appear on your invoice.

HOW DO I REQUEST SAME DAY SHIPMENTS?

To receive same day shipment on any of your orders please verify that the items are in stock. This can be done by checking Baldwin Express or calling Baldwin Customer Service. If the item is available, contact Baldwin Customer Service to make us aware that your order is being sent and that it needs to be shipped that day. Orders must be received by Baldwin prior to 10:30 a.m. EST and should be sent to the attention of the Customer Service Representative that you notified. Please note "ship today" on the order and if you want to use expedited freight. i.e. – Next day, Two day, etc.

MINIMUM ORDER SIZE:

Due to cost of order processing and fulfillment the minimum dollar amount for an order placed directly with Baldwin Customer Service is \$250. For orders less than \$250 net customers may either place the order through Baldwin Express, increase the size of the order to at least \$250, or purchase the items through Baldwin's wholesale distribution partners.

TABLE OF CONTENTS

How To Order & Installation

Essentials	4
Part Numbers & Process	5
How to Order & Installation Examples	6

Knobs, Levers, Rosettes

Knobs	12
Levers	20
Rosettes	30
Pre-Configured Knobs	41
Pre-Configured Levers	42
Tubular Keyed Knobs	44
Tubular Keyed Levers	45

Interior Hardware

Latches	46
Interior Knob & Lever UL Kits	47
Strikes	48
Spindles	49
Mortise Bolts	50
Turn Piece	52
Turn Knobs	53
ER Trim	54
Door Accessories	55
Spare Parts & Installation Tools	56
Communicating Door Kits	58

Entrance Trim

Symbols & Terminology	59
Tubular Entrance Sets	62
Mortise Trim	76
Thin & Thick Door Kits	112

Mortise Locks

Specifications	114
How to Order	115
Entrance Functions	116
Grade 1 - Light Commercial	118
Interior Functions	120
Deadlocks	122
Electrified	123
Strikes	124
Armored Fronts	125

Cylinders & Keys

Lock Trim Thickness Index	126
Cylinders - C Keyway Table	127
Accessories	128
Cylinder Trim	129
Specifications	130
Rim Cylinders	131
Key Blanks	132
Replacement Parts	133

Miscellaneous

Cremona Bolts	134
Tools & Keying Kits	136
Sliding Door Locks	137
Garden Door Trim	138

Multi-Point

How to Order	140
Styles	142
Configurations	144

European Mortise

How to Order	156
Styles	157
Configurations	158

Rim Locks

Standards & Specifications	162
Passage, Privacy, and Entrance	163
Special Functions	164
Trim & Accessories	165

Keyless Entry

Introduction & Specifications	167
How to Order	169

Deadbolts

Features	170
UL Kits	170
How to Order	170
Tubular Handleset Accessories	175
Deadbolt Accessories	177

Index

Numerical	178
-----------	-----

ALPHABETICAL INDEX PAGE

85365	Ashton™	74
6570	Atlanta	93
6552	Baltimore	86
6554	Barclay	105
85327	Bethpage™ Sectional	65
85337	Bethpage	70
M522	Bethpage (Mortise)	111
6942	Bismark	99
85360	Blakely	69
6555	Boston	82
85354	Boulder ¾	72
M512	Boulder ¾ (Mortise)	110
6402	Boulder	72
M514	Boulder (Mortise)	110
6420	Bristol (Tubular)	66
6963	Bristol	104
6939	Bristol Lever	104
6520	Bristol Sectional	77
85380	Buckingham™	69
85305	Canterbury	63

6563	Chicago	90
85352	Cody ¾	73
M502	Cody ¾ (Mortise)	110
6403	Cody	73
M504	Cody (Mortise)	110
6571	Concord	94
6931	Dallas	97
6940	Denver	97
6548	Detroit	89
6401	Devonshire™	71
6952	Edinburgh	103
6515	Edinburgh Sectional	76
6516	Edinburgh (Oval)	76
6962	Fenwick	103
6550	Georgetown	85
85375	Glennon™	68
6544	Hamilton	83
6973	Houston	107
6950	Kensington	102
6526	Kensington ¾	78

6426	Kensington (Tubular)	71
6966	Lakeshore	106
6974	Lakeshore Lever	106
6922	Lakewood	96
6543	Lancaster	82
85345	Landon™	75
6560	Lexington	88
85315	Logan	64
85335	Logan	64
85320	Madison	63
85350	Manchester	67
6976	Minneapolis	108
6938	Mobile	98
6565	Monterey	91
85370	Nantucket™	67
6547	Nashville	84
6562	New York	89
6944	Pasadena	100
6551	Reading	92
6999	Richland	109

6557	Richmond	87
6540	San Diego	79
6541	San Francisco	80
85386	Soho™	66
85387	Soho ¾	74
85385	Soho Two-Point	75
M516	Soho (Mortise)	111
6573	Springfield	95
6951	Stanford	83
85355	Stonegate	68
85325	Tahoe	65
85340	Tahoe	70
6542	Tremont	81
6567	Trenton	92
6933	Versailles	101
6948	Victoria	101
6961	Westminster	102
6549	Williamsburg	85
6546	Wilmington	88

NUMERICAL INDEX PAGE

6401	Devonshire	71
6402	Boulder	72
6403	Cody	73
6420	Bristol (Tubular)	66
6426	Kensington (Tubular)	71
6502		106
6503		89
6505		85
6506		107
6508		92
6513		93
6514		108
6515	Edinburgh Sectional	76
6516	Edinburgh (Oval)	76
6520	Bristol Sectional	77
6520		77
6526	Kensington ¾	78
6540	San Diego	79
6541	San Francisco	80
6542	Tremont	81
6543	Lancaster	82
6544	Hamilton	83
6546	Wilmington	88
6547	Nashville	84
6548	Detroit	89
6549	Williamsburg	85
6550	Georgetown	85
6551	Reading	92
6552	Baltimore	86
6552		86
6553		106
6554	Barclay	105
6555	Boston	82
6557	Richmond	87

6560	Lexington	88
6562	New York	89
6563	Chicago	90
6565	Monterey	91
6567	Trenton	92
6570	Atlanta	93
6571	Concord	94
6573	Springfield	95
6602		92
6603		79
6604		94
6605		81
6606		87
6608		89
6614		90
6619		93
6621		88
6622		83
6624		102
6627		104
6628		85
6634		91
6635		82
6638		76
6639		76
6640		77
6641		100
6642		91
6643		78
6690		109
6709		109
6714		100
6763		79
6767		86

6774		87
6789		103
6790		102
6791		83
6793		84
6794		94
6795		88
6796		81
6797		82
6798		95
6922	Lakewood	96
6931	Dallas	97
6933	Versailles	101
6938	Mobile	98
6939	Bristol Lever	104
6940	Denver	97
6942	Bismark	99
6944	Pasadena	100
6948	Victoria	101
6950	Kensington	102
6951	Stanford	83
6952	Edinburgh	103
6953		97
6956		101
6961	Westminster	102
6962	Fenwick	103
6963	Bristol	104
6966	Lakeshore	106
6973	Houston	107
6974	Lakeshore Lever	106
6975		80
6976	Minneapolis	108
6980		96
6986		99

6988		97
6991		104
6993		101
6996		98
6999	Richland	109
85305	Canterbury	63
85315	Logan	64
85320	Madison	63
85325	Tahoe	65
85327	Bethpage	65
85335	Logan	64
85337	Bethpage	70
85340	Tahoe	70
85345	Landon	75
85350	Manchester	67
85352	Cody ¾	73
85354	Boulder ¾	72
85355	Stonegate	68
85360	Blakely	69
85365	Ashton	74
85370	Nantucket	67
85375	Glennon	68
85380	Buckingham	69
85385	Soho Two-Point	75
85386	Soho	66
85387	Soho ¾	74
M502	Cody ¾	110
M504	Cody	110
M512	Boulder ¾	110
M514	Boulder	110
M516	Soho	111
M522	Bethpage	111

Lock Types:

1) Mortise



2) Tubular

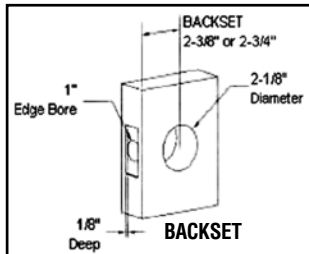
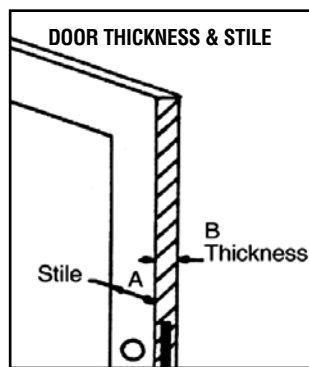


Door Types:

- > Wood, Fiberglass & Hollow Metal
- > Hollow Fiberglass & Metal doors do NOT allow for any mortise lock installation

Door Prep:

- > 1) Pre-drilled for Mortise
- > 2) Pre-drilled for 2.125" bore hole Tubular
- > 3) Un-prepped (blank door) – ideal for tubular latch or mortise installations
(Estate Passage – 0.625" hole for spindle; Estate Privacy – prep varies, see Installation Instructions)
- > Adaptors can retrofit most Estate Tubular hardware to 2.125" bored doors, but only large rosettes cover bore hole
- > Tubular locks CANNOT be used on Mortise-prepped doors
- > Mortise locks can rarely be used on 2.125" bore Tubular-prepped doors



Door Thickness:

- > Industry Standards – 1.75" (Exteriors) & 1.375" (Interiors)
- > Doors $\geq 2 \frac{1}{2}$ " Thick limits hardware options – Contact Customer Service
- > Exterior Doors $< 1 \frac{3}{4}$ " Thick limits hardware options
- > Escutcheon thickness determines cylinder & spindle lengths needed (see Inside Back Cover)

Door Stile Width:

- > Narrow Stiles (4" or less) limit backset & escutcheon trim options
- > 3" or less Stile severely limits Mortise Lock, Function & Escutcheon options

Door Backset:

Measurement from edge of door (where it latches) to centerline of lock or doorknob

Door Handing:

- > Certain Lock Types require correct handing (Exterior Levers, Mortise Boxes, Half Dummy Levers)
- > HAND OF DOOR ALWAYS DETERMINED FROM OUTSIDE

A few rules to follow:

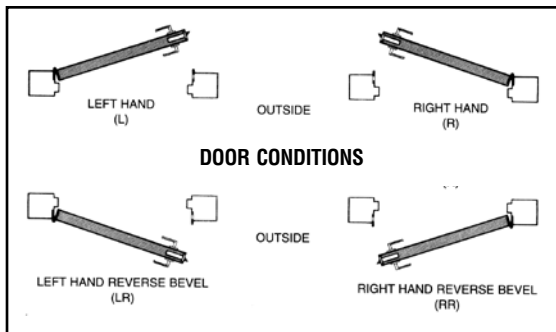
- > The outside of an exterior door is the street or entrance side
- > The outside of a room door is the hall side
- > The outside of a single communicating door is the side from which the hinges are not visible when the door is closed
- > The outside of a closet door is the room or hall side

Right Handed: hinges on RIGHT – door swings IN

Left Handed: hinges on LEFT – door swings IN

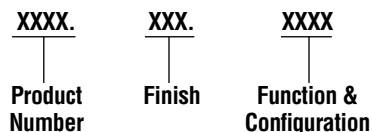
Right Hand Reverse Bevel: hinges on RIGHT – door swings OUT

Left Hand Reverse Bevel: hinges on LEFT – door swings OUT



BALDWIN PART NUMBERS ARE MADE UP OF THREE PARTS SEPARATED BY PERIODS:

- 1) Product Number communicates Style
- 2) 3-digit Finish
- 3) Suffix communicates Function/Configuration



ORDERING ESTATE KNOBS & LEVERS, A LA CARTE

1) SELECT KNOB/LEVER

ex: 5132.150.MR – 5132 Lever.Satin Nickel.Minus Rose

2) SELECT ROSE (or ESCUTCHEON)

ex: 5148.150 – Traditional Rose.Satin Nickel

3) SELECT LATCH (or MORTISE LOCK)

ex: 5513.150.P – 2.375" Tubular Latch. Satin Nickel.Privacy

4) ADDITIONAL HARDWARE

See following 'HOW TO ORDER' pages for other hardware that may be needed
Eg. pre-drilled door adaptor, privacy pin extension for thicker doors, spindles, etc.

SUFFIXES

KNOBS & LEVERS:

Function Code	Description
.MR	Pair of Knobs or Levers, Minus Rose
.IMR	One Knob, Minus Rose
.RMR	One Right Lever, Minus Rose
.LMR	One Left Lever, Minus Rose
.PASS	One Preconfigured Passage Set
.PRIV	One Preconfigured Privacy Set
.FD	One Preconfigured Full Dummy Set
.IDM	One Preconfigured Half Dummy Knob Set
.RDM	One Preconfigured Right Hand Half Dummy Lever Set
.LDM	One Preconfigured Left Hand Half Dummy Lever Set

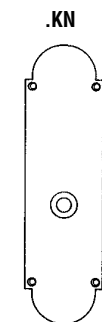
LATCHES:

Function Code	Description
No suffix	Passage Latch
.P	Privacy Latch

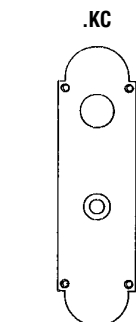
ROSETTES:

Function Code	Description
No Suffix	Pair, Active
.FD	Pair, Dummy
.I	Half Pair, Active
.IDM	Half Pair, Dummy
.PS	Pair, Passage Active
.PV	Pair, Privacy Active
.IPS	Half Pair, Passage Active
.IPV	Half Pair, Privacy Active

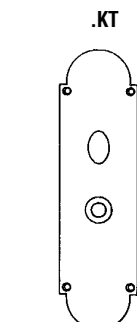
ESCUTCHEON PLATE CONFIGURATIONS – ordered in half pairs except for privacy (.KP) cut-outs which are ordered in pairs.



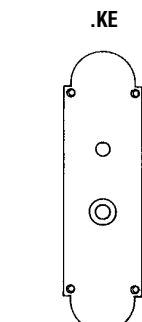
CUT FOR KNOB
OR LEVER



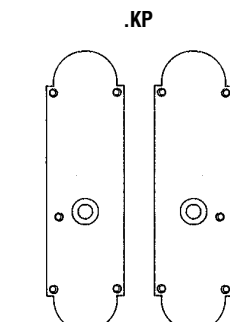
CUT FOR CYLINDER
AND KNOB OR LEVER



CUT FOR TURN KNOB
AND KNOB OR LEVER



EMERGENCY RELEASE
(KNOB AND ER HOLE)

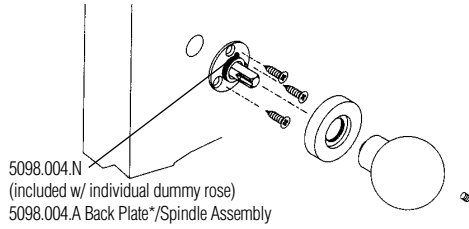


PRIVACY PIN*
(KNOB AND PRIVACY PIN HOLE)

*NOT AVAILABLE ON ALL ESCUTCHEONS

HOW TO ORDER & INSTALLATION DUMMY

Half Dummy w/ Rose



HOW TO ORDER

WHAT YOU NEED:	PART # EXAMPLE	PAGE #
Knob – Individual Minus Rose (.IMR)	5000.150.IMR	
Handed Lever – Right Minus Rose (.RMR or .LMR)	5100.150.RMR	
Rose – Individual (.IDM)	5002.150.IDM	

(Rose .IDM includes 5098.004.N Half Dummy back plate)

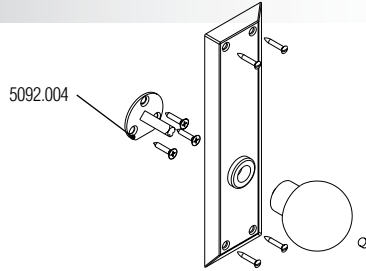
INSTALLATION

- Position 5098.004.A* Back Plate with dummy spindle at desired location and relieve the door surface to allow flush seating of the back plate. (NOTE: the word "TOP" is marked on the back plate for exact alignment.)
- Install screws into back plate.
- Thread rose onto back plate and install trim.

NOTE: Nos. 5084/5094 Rigid Mounting Trim is available for thru bolt Dummy Mount applications.

*For exposed screw mounted roses, appropriate half dummy spindle is supplied standard.

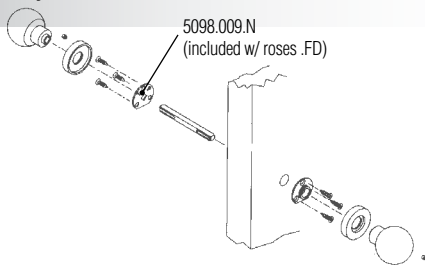
Half Dummy (Escutcheon Plate)



WHAT YOU NEED:	PART # EXAMPLE	PAGE #
Knob – Individual Minus Rose (.IMR)	5000.150.IMR	
Handed Lever – Right Minus Rose (.RMR or .LMR)	5100.150.RMR	
Escutcheon Plate – .KN	6797.150.KN	
Half Dummy Spindle*	5092.004	49

*See Spindles section for length needed

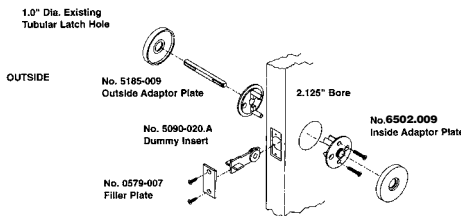
Full Dummy



WHAT YOU NEED:	PART # EXAMPLE	PAGE #
Knob or Lever – pair Minus Rose (.MR)	5000.150.MR	
Rose – pair Full Dummy (.FD)	5048.150.FD	
Spindle* – 3.5" standard for install w/ roses	0510.004	50

*See Spindles Chart for length needed on thicker doors

Full Dummy w/ Pre-Drilled Cut-Out

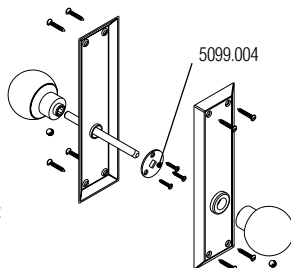


WHAT YOU NEED:	PART # EXAMPLE	PAGE #
For 2.125" Pre-drilled Doors add: Adaptor	6502.009	55
Dummy Insert & Filler Plate (plugs latch hole)	5090.020.A	
Spindle* – 3.5" standard for install w/ roses	0510.004	50

*See Spindles Chart for length needed on thicker doors

- Install 5090.020 Dummy Insert into tubular latch hole.
- Position 6502.009 Adaptor (with threaded studs attached) on outside of door and 6502.009 Adaptor on inside face of door.
- Install screws through the inside Adaptor and thread screws into studs.
- Install 0579.007 Filler Plate on edge of door.
- Thread roses onto 6502.009 Adaptor Set.
- Insert spindle and install trim.

Full Dummy (Escutcheon Plate)



WHAT YOU NEED:	PART # EXAMPLE	PAGE #
Knob or Lever – pair Minus Rose (.MR)	5000.150.MR	
(2) Escutcheon Plates – Cut for Knob/Lever (.KN)	6797.150.KN	
(2) Dummy Trim Plates	5099.004	49
Spindle* – 4"	0511.004	50

*See Spindles Chart for length needed

- Drill a .625" (16mm) hole completely through the door.
- Insert spindle through drilled hole with the V grooves down and toward the bottom hinge.
- Slide 5098.009* Back Plates over spindle. (NOTE: the word "TOP" is marked on the back plate for exact alignment.)
- Install screws into back plate.
- Thread roses onto back plates and install trim.

NOTE: The 5090.020.A Dummy Insert is available with 6502.009 Adaptor Set for full dummy applications on pre-drilled doors.

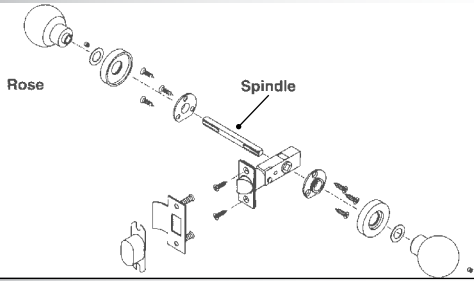
Refer to Components in this catalog section.

*For exposed screw mounted roses and all escutcheons, 5099.004 Back Plate is supplied standard.

ASSUMED FOR EXAMPLES:
Backset – 2.375"
Door thickness – 1.375"

NOTE: for PRE-DRILLED DOORS, Rose/Escutcheon must be at least 2.625" diameter/wide to cover bore hole

Passage w/ Rose Installation – Standard Latch



HOW TO ORDER

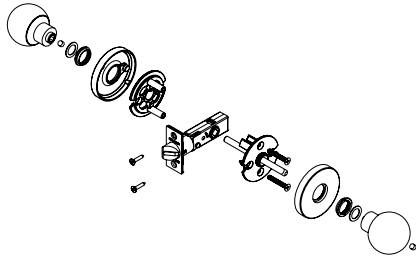
WHAT YOU NEED:	PART # EXAMPLE	PAGE #
Knob or Lever – pair Minus Rose (.MR)	5000.150.MR	
Passage Rose – pair (no suffix)	5048.150	
Knob Latch (or Lever Latch)	5510.150 (5513.150)	47

INSTALLATION

- A.** Thread supplied roses onto 5097.009 Back Plates.
- B.** Insert 5095.000 Graphite Spacer over spindle and into rose.
- C.** Slide knob or lever trim completely onto the spindle from both sides of the door. (NOTE: A minimal amount of "play" is required between the knob/lever and the rose to prevent the trim from binding.)
- D.** Secure steel set screws with .25" Socket Wrench.

IMPORTANT: Set screw is coated with a special epoxy (resin) to prohibit the screw from loosening over time.

Passage Pre-drilled Door



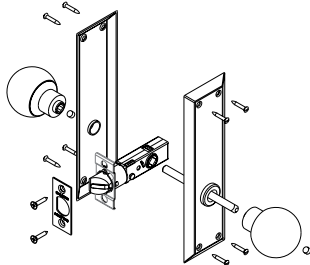
WHAT YOU NEED:	PART # EXAMPLE	PAGE #
For 2.125" Pre-drilled Doors add: Adaptor	6502.009	55

*See Spindles section for length needed

NOTE: For 1.75" or thicker Doors, 3.5" spindle included with Latch will not be long enough.

- A.** Install latch and strike per template instructions.
- B.** Position 6502.009 Adaptor (with threaded studs attached) on outside of door and 6502.009 Adaptor on inside face of door.
- C.** Loosely install screws through the inside plate and thread screws into studs.
- D.** Insert alignment bushings into Adaptor and then insert spindle through the alignment bushings and fully tighten screws. Remove alignment bushings and discard.
- E.** Thread roses onto 6502.009 Adaptor Set.
- F.** Install trim.

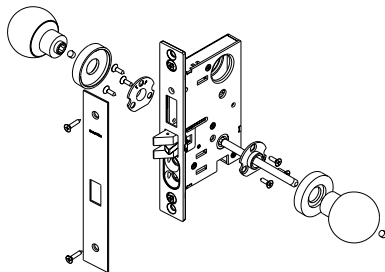
Passage (Standard Latch & Escutcheon)



WHAT YOU NEED:	PART # EXAMPLE	PAGE #
Knob or Lever – pair Minus Rose (.MR)	5000.150.MR	
Escutcheon Plate – Cut for Knob/Lever (.KN)	6797.150.KN	
Knob Latch	5510.150	47
Lever Latch	5513.150	47
Spindle* – 4"	0511.004	50

*See Spindles section for length needed

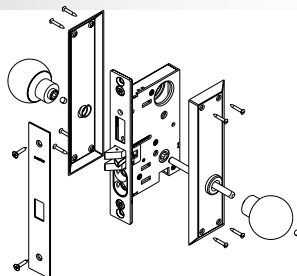
Passage (Mortise Lock)



WHAT YOU NEED:	PART # EXAMPLE	PAGE #
Knob or Lever – pair Minus Rose (.MR)	5000.150.MR	
Passage Rose – pair (no suffix)	5017.150	
Mortise Lock, Small Case – passage, 2.5" Backset	8530.150	120
Spindle* – 3.5" standard for install w/ roses	0510.004	50

*See Spindles section for length needed on thicker doors

Passage (Mortise Lock & Escutcheon)

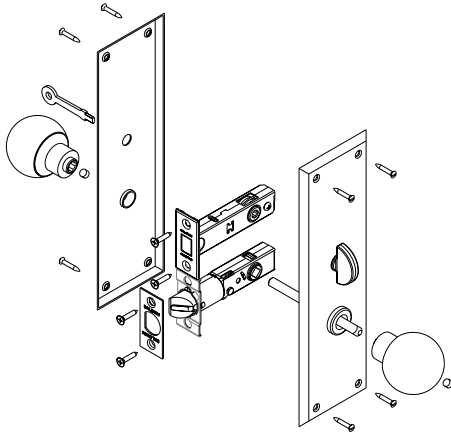


WHAT YOU NEED:	PART # EXAMPLE	PAGE #
Knob or Lever – pair Minus Rose (.MR)	5000.150.MR	
(2) Escutcheon Plates – Cut for Knob/Lever (.KN)	6797.150.KN	
Mortise Lock, Small Case – passage, 2.5" Backset	8530.150	120
Spindle* – 4"	0511.004	50

*See Spindles section for length needed

HOW TO ORDER & INSTALLATION PRIVACY

Passage Knob w/Mortise Bolt & Escutcheon Plate

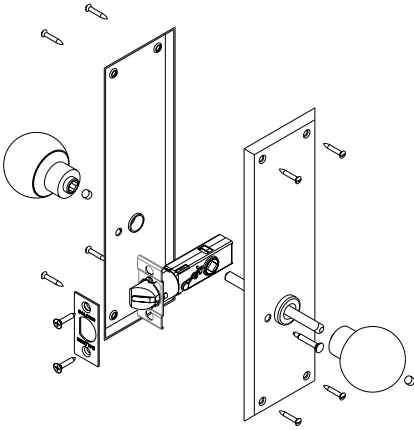


HOW TO ORDER

WHAT YOU NEED	PART # EXAMPLE	PAGE #
Knob or Lever – pair Minus Rose (.MR)	5000.150.MR	
Escutcheon plate –		
Outside: Cut for Emergency (KE)	6797.150.KE	
Inside: Cut for Turn Knob (KT)	6797.150.KT	
Knob Latch (or Lever Latch)	5510.150 (5513.150)	47
Spindle* – 4"	0511.004	50
Mortise Bolt	0418.150.LTP (Less Turn Piece)	51
Combination Strike (Handed)	5528.150.L	48

Privacy with Pin in Escutcheon

NOT AVAILABLE FOR ALL ESCUTCHEONS



HOW TO ORDER

WHAT YOU NEED	PART # EXAMPLE	PAGE #
Knob or Lever – pair Minus Rose (.MR)	5000.150.MR	
Escutcheons (ordered as pair)		
KP cut for Privacy	6797.150.KP	
Knob Latch (or Lever Latch)	5510.150.P (5513.150.P)	47
Pin Extender (knob sets only) – Doors thicker than 1.625"	5199.000	46
Swivel – 4"	0522.004	50

ASSUMED FOR EXAMPLES:
Backset – 2.375"
Door thickness – 1.375"

NOTE: for PRE-DRILLED DOORS, Rose/Escutcheon must be at least 2.625" diameter/wide to cover bore hole

*See Spindles Chart for length needed

BALDWIN

Privacy Pre-drilled Door

Privacy with Pin in Rose NOT AVAILABLE FOR ALL ROSES

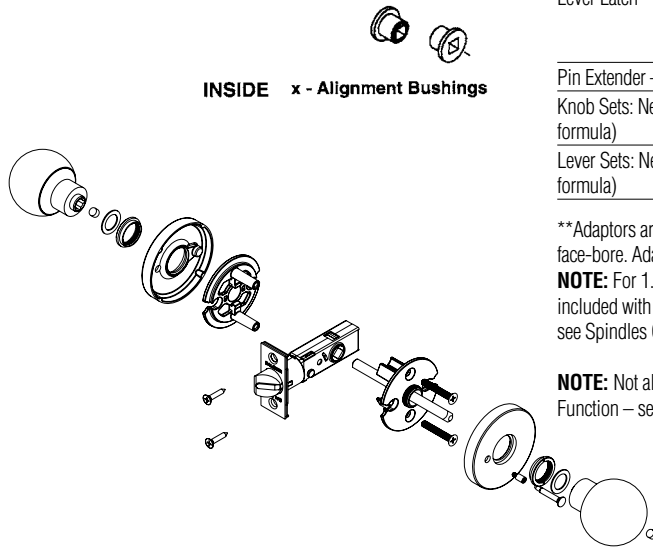
HOW TO ORDER

WHAT YOU NEED:	PART # EXAMPLE	PAGE #
Knob or Lever – pair Minus Rose (.MR)	5000.150.MR	
Privacy Rose** – pair (no suffix)	5149.150	
Knob Latch	5510.150.P + 6502.009 Adaptor*	47 + 55
Lever Latch	5513.150.P + 6502.009 Adaptor*	
Pin Extender –	5199.000	46
Knob Sets: Needed for doors thicker than 1.625" (see Pin formula)		
Lever Sets: Needed for doors thicker than 1.75" (see Pin formula)		

**Adaptors are required on doors with 2 1/8" face-bore. Adaptors are not needed for passage.

NOTE: For 1.75" or thicker Doors, 3.5" spindle included with Latch will not be long enough, see Spindles Chart for length needed

NOTE: Not all Roses available with Privacy Function – see Roses Section



INSTALLATION

- Install latch and strike per template instructions.
- Position 6502.009 Adaptor (with threaded studs attached) on outside of door and 6502.009 Adaptor on inside face of door.
- Loosely install screws through the inside plate and thread screws into studs.
- Insert spindle (raised tab should be facing on the outside of door) and then insert alignment bushings into Adaptor. Fully tighten screws. Remove alignment bushings and discard.
- To attach roses to Adaptors, place rose over 6502.009 Adaptor and secure by threading 5197.000 brass Rose Retainer onto the Adaptor. Tighten with 5198.000 steel spanner tool provided.
- Thread 5510.XXX.0030 or 5513.XXX.0030 Privacy Button into latch. (See page F/19 for further details regarding the privacy button.)
- Install trim.

Passage Knob w/Mortise Bolt

w/ 2.25" or smaller roses only

HOW TO ORDER

WHAT YOU NEED:	PART # EXAMPLE	PAGE #
Knob or Lever – pair Minus Rose (.MR)	5000.150.MR	
Passage Rose* – pair (no suffix)	5002.150	
Knob Latch:	5510.150 + 6502.009 Adaptor	47 + 55
Lever Latch:	5513.150 + 6502.009 Adaptor	
NOTE: For 1.75" or thicker Doors, 3.5" spindle included with Latch will not be long enough, see Spindles Chart for length needed		
Mortise Bolt	0418.150.LTP (Less Turn Piece)	51
Turn Piece	6750.150	52
Emergency Release Trim	0416.150	54

INSTALLATION

Mortise Bolt Installation

- When installing Mortise bolts, ALWAYS check width of Emergency Release Trim before drilling face bore. Standard bore is .625" (16mm) completely through door. Emergency Release Trim 0406 and 0407 require a .5" (13mm) bore on outside face of door; a .625" (16mm) bore on inside face of door.

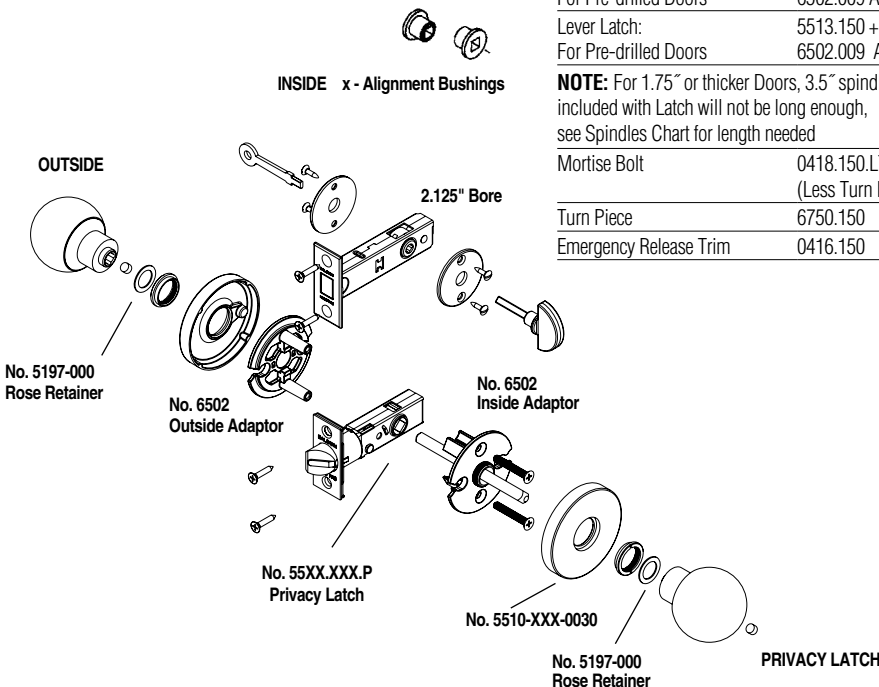
IMPORTANT: When Emergency Release Trim is used, the turn piece spindle must be cut to extend no farther than halfway through the bolt.

Tubular Latch/Mortise Bolt Installation

- When installing Mortise bolts with tubular latches, ALWAYS ensure that face plates of both mechanisms have a minimum of .5" (13mm) clearance between face plates [2.75" (70mm) minimum distance between center of bolts] for proper strike installation. If mortise bolt and latch/face plates are installed against each other (as illustrated), use 5528 Strike illustrated above, and on page 48.

CAUTION: WHEN ROSES OF 2.625" DIAMETER ARE USED WITH THIS STRIKE, TURN PIECES NOS. 6728, 6732, 6734, and 6751 CANNOT BE USED DUE TO CLEARANCE RESTRICTIONS.

NOTE: 5528 strike is designed with a curved lip. Please specify hand of door when ordering. Hand of strike based on latch bolt being installed below the mortise bolt. Tubular latches and mortise bolts may be used in conjunction with escutcheons. Use of 5528 Strike is required to replace normally furnished strikes due to clearance restrictions.



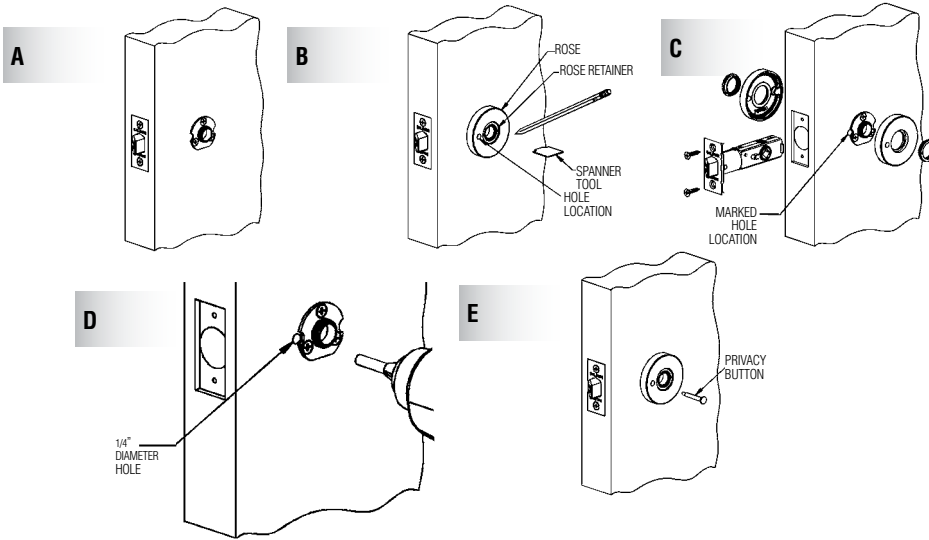
*See Spindles Chart for length needed

HOW TO ORDER & INSTALLATION

PRIVACY

2" Privacy Rose Installation

5097 Backplate



INSTALLATION

A. After completing the latch and backplate installation, a hole for the privacy button needs to be drilled.

The first step is to remove the alignment Bushings and spindle used for the backplate installation process.

B. Attach the roses to the backplates using the rose retainers and tighten with the supplied spanner tool.

Use a pencil to mark the privacy hole location on each side of the door.

C. To avoid damage, remove both roses and the latch before drilling the privacy holes.

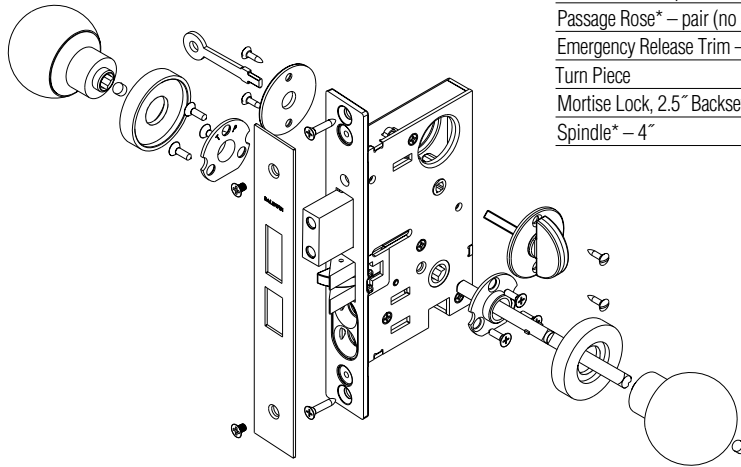
D. Drill a 1/4" diameter hole through both sides of the door.

Caution: To assure proper hole location drill from each side of the door and not from one side only.

E. Re-install the latch and re-attach both roses.

On the inside of the room, thread the privacy button into the latch and install the knobs or levers.

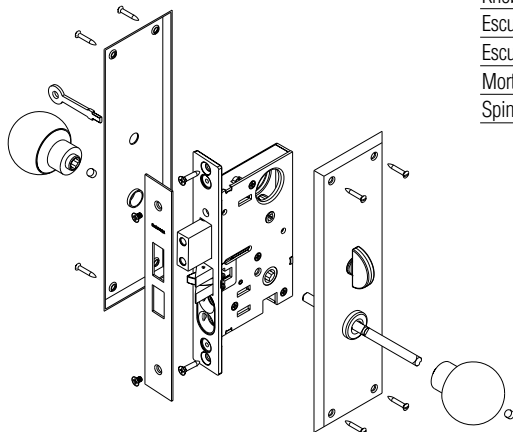
Mortise Lock w/ Emergency Release Trim



HOW TO ORDER

WHAT YOU NEED	PART # EXAMPLE	PAGE #
Knob or Lever – pair Minus Rose (.MR)	5000.150.MR	
Passage Rose* – pair (no suffix)	5002.150	
Emergency Release Trim –	0404.150	
Turn Piece	6756.150	
Mortise Lock, 2.5" Backset (Handled)	6315.150.L	121
Spindle* – 4"	0511.004	50

Mortise Lock w/ Escutcheon Plate



HOW TO ORDER

WHAT YOU NEED	PART # EXAMPLE	PAGE #
Knob or Lever – pair Minus Rose (.MR)	5000.150.MR	
Escutcheon Plate, Exterior	6797.15.KE	
Escutcheon Plate, Interior	6797.15.KT	
Mortise Lock, 2.5" Backset	6315.150	121
Spindle* – 4"	0511.004	50

ASSUMED FOR EXAMPLES:
Backset – 2.375"
Door thickness – 1.375"

NOTE: for PRE-DRILLED DOORS, Rose/Escutcheon must be at least 2.625" diameter/wide to cover bore hole **FOR ORDERING HANDLESETS, REFER TO THE INNER FLAP OF THE BACK COVER**

*See Spindles Chart for length needed

BALDWIN

For Split Finish & Split Style orders, we recommend calling Customer Service:

800.437.7448

8AM – 5PM EST

FAX: 800.255.9785

All Baldwin levers meet ADA standards.

KNOB/LEVER PINNING:

Definition: Pinning is a permanent attachment of the outside knob or lever to the spindle. Outside levers typically are pinned for added security in public commercial settings.

Pinning Charge for Estate passage or privacy sets (pair)
Included with .MRPN cost

\$65

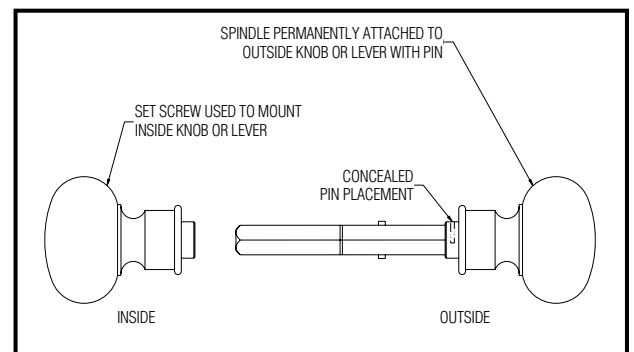
ORDER:

1. Knobs or Levers & Finish

SPECIFY FOR REFERENCE ONLY:

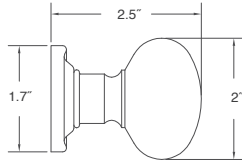
2. Door thickness
3. Trim to be used
4. Handing of the outside lever, if applicable
5. Spindle (included)

**For pinning orders,
we recommend calling Customer Service**



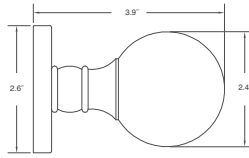
KNOBS SOLID BRASS & CRYSTAL

5000 Knob
shown w/ 5002 Rose



Item #	Description	Wt.	030, 031	
			033, 034, 040	003, 055
5000.xxx.MR	Minus Roses – pair	1.8	\$145	\$165
5000.xxx.IMR	Individual Minus Rose – half pair	.9	73	83
5000.xxx.MRPN	Minus Roses – pair (PINNED)	1.8	210	230

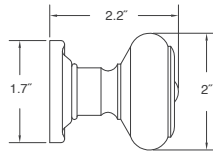
5001 Knob
shown w/ 5046 Rose



Item #	Description	Wt.	030, 150, 260	
			033, 034, 040	003, 055
5001.xxx.MR	Minus Roses – pair	2.7	\$145	
5001.xxx.IMR	Individual Minus Rose – half pair	1.4	73	
5001.xxx.MRPN	Minus Roses – pair (PINNED)	2.7	210	

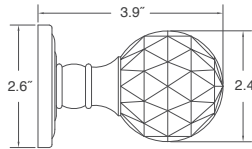
Note: Knob is frosted color.

5005 Knob
shown w/ 5002 Rose



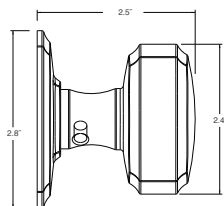
Item #	Description	Wt.	030, 031	
			033, 034, 040	003, 055
5005.xxx.MR	Minus Roses – pair	1.8	\$145	\$165
5005.xxx.IMR	Individual Minus Rose – half pair	.9	73	83
5005.xxx.MRPN	Minus Roses – pair (PINNED)	1.8	210	230

5009 Knob – SWAROVSKI CRYSTAL
shown w/ 5048 Rose



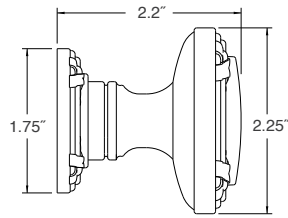
Item #	Description	Wt.	030, 150, 260	
			033, 034, 040	003, 055
5009.xxx.MR	Minus Roses – pair	2.8	\$500	
5009.xxx.IMR	Individual Minus Rose – half pair	1.4	250	
5009.xxx.MRPN	Minus Roses – pair (PINNED)	2.8	565	

5011 Knob
shown w/ 5058 Rose



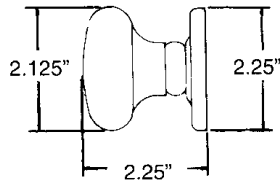
Item #	Description	Wt.	030, 031	
			033, 034, 040	003, 055
5011.xxx.MR	Minus Roses – pair	1.1	\$160	\$180
5011.xxx.IMR	Individual Minus Rose – half pair	.55	80	90
5011.xxx.MRPN	Minus Roses – pair (PINNED)	1.1	225	245

5013 Knob
shown w/ 5016 Rose



Item #	Description	Wt.	030, 031	
			033, 034, 040	003, 055
5013.xxx.MR	Minus Roses – pair	2.1	\$145	\$165
5013.xxx.IMR	Individual Minus Rose – half pair	1.1	73	83
5013.xxx.MRPN	Minus Roses – pair (PINNED)	2.1	210	230

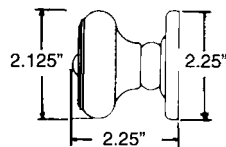
5015 Knob
shown w/ 5017 Rose



Item #	Description	Wt.	030, 031	
			033, 034, 040	003, 055
5015.xxx.MR	Minus Roses – pair	1.8	\$100	\$120
5015.xxx.IMR	Individual Minus Rose – half pair	.9	50	60
5015.xxx.MRPN	Minus Roses – pair (PINNED)	1.8	165	185

For easy ordering, select finishes and functions of pre-configured tubular sets are available on page 41.

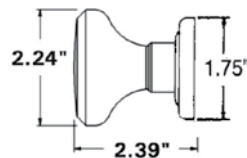
5020 Knob
shown w/ 5017 Rose



Item #	Description	Wt.	030, 031	
			033, 034, 040	003, 055
5020.xxx.MR	Minus Roses – pair	1.8	\$100	\$120
5020.xxx.IMR	Individual Minus Rose – half pair	.9	50	60
5020.xxx.MRPN	Minus Roses – pair (PINNED)	1.8	165	185

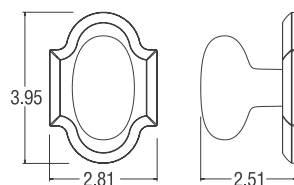
For easy ordering, select finishes and functions of pre-configured tubular sets are available on page 41.

5023 Knob
shown w/ 5059 Rose



Item #	Description	Wt.	030, 031	
			033, 034, 040	003, 055
5023.xxx.MR	Minus Roses – pair	1.8	\$100	\$120
5023.xxx.IMR	Individual Minus Rose – half pair	.9	50	60
5023.xxx.MRPN	Minus Roses – pair (PINNED)	1.8	165	185

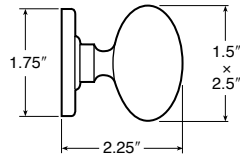
5024 Oval Knob
shown w/ R030 Arch Rose



Item #	Description	Wt.	030, 031	
			033, 034, 040	003, 055
5024.xxx.MR	Minus Roses - pair	-	\$100	\$120
5024.xxx.IMR	Minus Roses - half pair	-	50	60

KNOBS SOLID BRASS

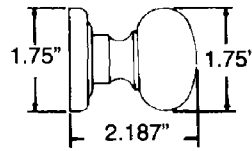
5025 Knob
shown w/ 5002 Rose



Item #	Description	Wt.	030, 031	
			033, 034, 040	003, 055
5025.xxx.MR	Minus Roses – pair	1.8	\$100	\$120
5025.xxx.IMR	Individual Minus Rose – half pair	.9	50	60
5025.xxx.MRPN	Minus Roses – pair (PINNED)	1.8	165	185

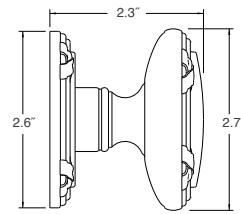
For easy ordering, select finishes and functions of pre-configured tubular sets are available on page 41.

5030 Knob
shown w/ 5002 Rose



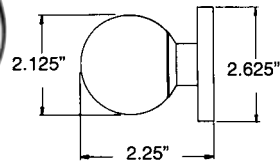
Item #	Description	Wt.	030, 031	
			033, 034, 040	003, 055
5030.xxx.MR	Minus Roses – pair	1.8	\$145	\$165
5030.xxx.IMR	Individual Minus Rose – half pair	.9	73	83
5030.xxx.MRPN	Minus Roses – pair (PINNED)	1.8	210	230

5031 Knob
shown w/ 5021 Rose



Item #	Description	Wt.	030, 031	
			033, 034, 040	003, 055
5031.xxx.MR	Minus Roses – pair	2.3	\$145	\$165
5031.xxx.IMR	Individual Minus Rose – half pair	1.2	73	83
5031.xxx.MRPN	Minus Roses – pair (PINNED)	2.3	210	230

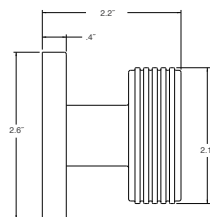
5041 Knob
shown w/ 5046 Rose



Item #	Description	Wt.	030, 031	
			033, 034, 040	003, 055
5041.xxx.MR	Minus Roses – pair	2.4	\$100	\$120
5041.xxx.IMR	Individual Minus Rose – half pair	1.2	50	60
5041.xxx.MRPN	Minus Roses – pair (PINNED)	2.4	165	185

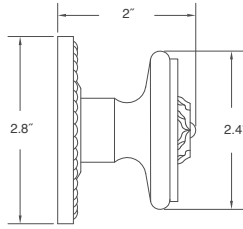
For easy ordering, select finishes and functions of pre-configured tubular sets are available on page 42.

5045 Knob
shown w/ 5046 Rose



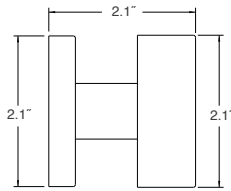
Item #	Description	Wt.	030, 031	
			033, 034, 040	003, 055
5045.xxx.MR	Minus Roses – pair	1.1	\$160	\$180
5045.xxx.IMR	Individual Minus Rose – half pair	.55	80	90
5045.xxx.MRPN	Minus Roses – pair (PINNED)	1.1	225	245

5050 Knob
shown w/ 5053 Rose



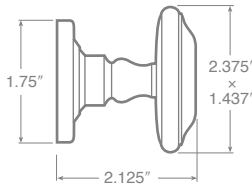
Item #	Description	Wt.	030, 031	
			033, 034, 040	003, 055
5050.xxx.MR	Minus Roses – pair	1.9	\$145	\$165
5050.xxx.IMR	Individual Minus Rose – half pair	1.0	73	83
5050.xxx.MRPN	Minus Roses – pair (PINNED)	1.9	210	230

5055 Knob
shown w/ 5032 Rose



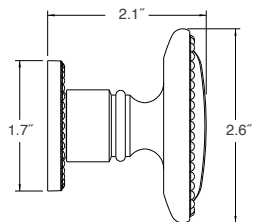
Item #	Description	Wt.	030, 031	
			033, 034, 040	003, 055
5055.xxx.MR	Minus Roses – pair	1.9	\$145	\$165
5055.xxx.IMR	Individual Minus Rose – half pair	1.0	73	83
5055.xxx.MRPN	Minus Roses – pair (PINNED)	1.9	210	230

5057 Knob
shown w/ 5002 Rose



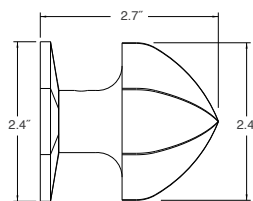
Item #	Description	Wt.	030, 031	
			033, 034, 040	003, 055
5057.xxx.MR	Minus Roses – pair	1.4	\$145	\$165
5057.xxx.IMR	Individual Minus Rose – half pair	.7	73	83
5057.xxx.MRPN	Minus Roses – pair (PINNED)	1.4	210	230

5060 Knob
shown w/ 5062 Rose



Item #	Description	Wt.	030, 031	
			033, 034, 040	003, 055
5060.xxx.MR	Minus Roses – pair	1.4	\$145	\$165
5060.xxx.IMR	Individual Minus Rose – half pair	.7	73	83
5060.xxx.MRPN	Minus Roses – pair (PINNED)	1.4	210	230

5063 Knob
shown w/ 5042 Rose

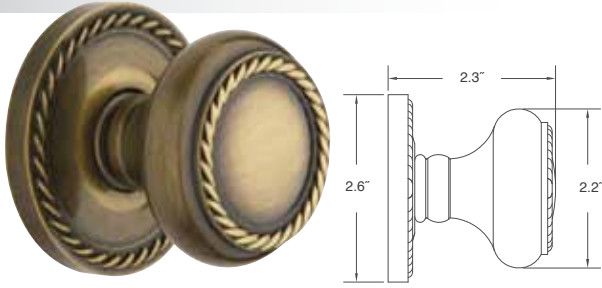


Item #	Description	Wt.	030, 031	
			033, 034, 040	003, 055
5063.xxx.MR	Minus Roses – pair	2.3	\$145	\$165
5063.xxx.IMR	Individual Minus Rose – half pair	1.2	73	83
5063.xxx.MRPN	Minus Roses – pair (PINNED)	2.3	210	230

KNOBS SOLID BRASS

5064 Knob

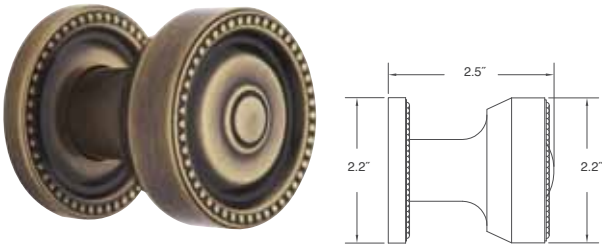
shown w/ 5004 Rose



Item #	Description	Wt.	030, 031	
			033, 034, 040	003, 055
5064.xxx.MR	Minus Roses – pair	1.9	\$145	\$165
5064.xxx.IMR	Individual Minus Rose – half pair	1.0	73	83
5064.xxx.MRPN	Minus Roses – pair (PINNED)	1.9	210	230

5065 Knob

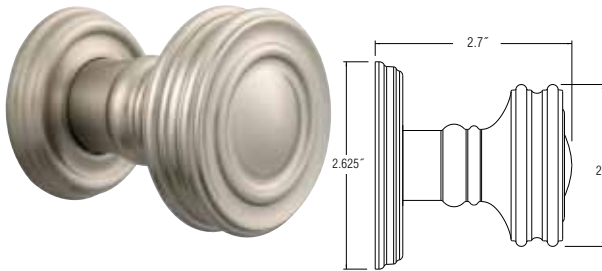
shown w/ 5027 Rose



Item #	Description	Wt.	030, 031	
			033, 034, 040	003, 055
5065.xxx.MR	Minus Roses – pair	2.3	\$145	\$165
5065.xxx.IMR	Individual Minus Rose – half pair	1.2	73	83
5065.xxx.MRPN	Minus Roses – pair (PINNED)	2.3	210	230

5066 Knob

shown w/ 5078 Rose



Item #	Description	Wt.	030, 031	
			033, 034, 040	003, 055
5066.xxx.MR	Minus Roses – pair	1.1	\$160	\$180
5066.xxx.IMR	Individual Minus Rose – half pair	.55	80	90
5066.xxx.MRPN	Minus Roses – pair (PINNED)	1.1	225	245

5067 Knob

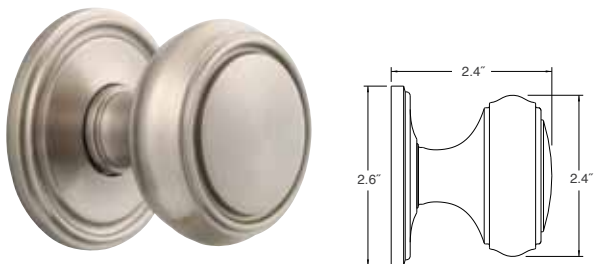
shown w/ 5003 Rose



Item #	Description	Wt.	030, 031	
			033, 034, 040	003, 055
5067.xxx.MR	Minus Roses – pair	1.0	\$145	\$165
5067.xxx.IMR	Individual Minus Rose – half pair	.5	73	83
5067.xxx.MRPN	Minus Roses – pair (PINNED)	2.3	210	230

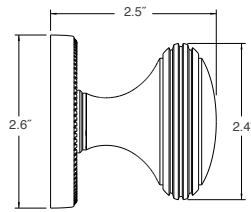
5068 Knob

shown w/ 5070 Rose



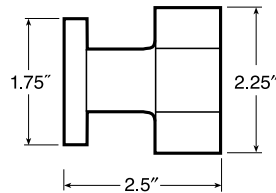
Item #	Description	Wt.	030, 031	
			033, 034, 040	003, 055
5068.xxx.MR	Minus Roses – pair	1.1	\$160	\$180
5068.xxx.IMR	Individual Minus Rose – half pair	.55	80	90
5068.xxx.MRPN	Minus Roses – pair (PINNED)	2.3	225	245

5069 Knob
shown w/ 5076 Rose



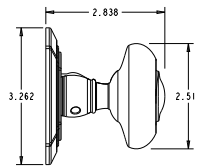
Item #	Description	Wt.	030, 031	
			033, 034, 040	003, 055
5069.xxx.MR	Minus Roses – pair	1.1	\$160	\$180
5069.xxx.IMR	Individual Minus Rose – half pair	.55	80	90
5069.xxx.MRPN	Minus Roses – pair (PINNED)	1.1	225	245

5073 Knob
shown w/ 5006 Rose



Item #	Description	Wt.	030, 031	
			033, 034, 040	003, 055
5073.xxx.MR	Minus Roses – pair	2.3	\$145	\$165
5073.xxx.IMR	Individual Minus Rose – half pair	1.2	73	83
5073.xxx.MRPN	Minus Roses – pair (PINNED)	2.3	210	230

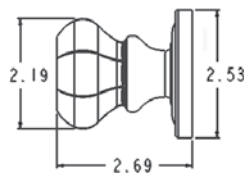
5077 Bethpage Knob
shown w/ R027 Bethpage Rose



Item #	Description	Wt.	030, 031	
			033, 034, 040	003, 055
5077.xxx.MR	Minus Roses - pair	1.8	\$100	\$120
5077.xxx.IMR	Minus Roses - half pair	.4	50	60

For easy ordering, select finishes and functions of pre-configured tubular sets are available on page 42.

5080 Filmore knob
shown w/ 5048 Rose



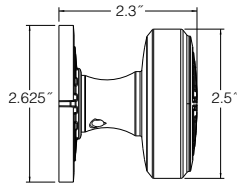
Item #	Description	Wt.	030, 102	
			112, 150, 260	
5080.xxx.MR	Minus Roses - pair	1.2	\$100	
5080.xxx.IMR	Minus Roses - half pair	.6	50	

For easy ordering, select finishes and functions of pre-configured tubular sets are available on page 42.

KNOBS SOLID BRASS

K001 Knob

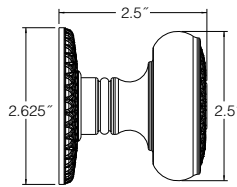
shown w/ R002 Rose



Item #	Description	Wt.	030, 031	
			033, 034, 040	003, 055
K001.xxx.MR	Minus Roses – pair	2.5	\$290	\$310
K001.xxx.IMR	Individual Minus Rose – half pair	1.5	145	155

K002 Knob

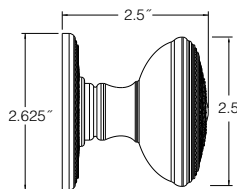
shown w/ R004 Rose



Item #	Description	Wt.	030, 031	
			033, 034, 040	003, 055
K002.xxx.MR	Minus Roses – pair	2.5	\$290	\$310
K002.xxx.IMR	Individual Minus Rose – half pair	1.5	145	155

K003 Knob

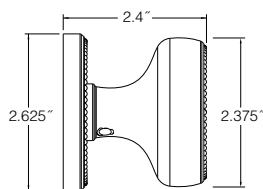
shown w/ R006 Rose



Item #	Description	Wt.	030, 031	
			033, 034, 040	003, 055
K003.xxx.MR	Minus Roses – pair	2.5	\$290	\$310
K003.xxx.IMR	Individual Minus Rose – half pair	1.5	145	155

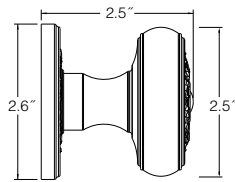
K004 Knob

shown w/ R008 Rose



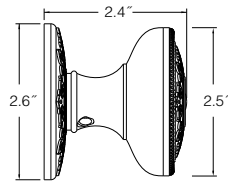
Item #	Description	Wt.	030, 031	
			033, 034, 040	003, 055
K004.xxx.MR	Minus Roses – pair	2.5	\$290	\$310
K004.xxx.IMR	Individual Minus Rose – half pair	1.5	145	155

K005 Knob
shown w/ R010 Rose



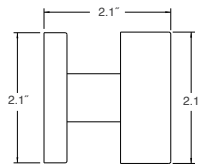
Item #	Description	Wt.	030, 031 033, 034, 040	
			050, 060, 102 112, 150, 151 190, 260, 264	003, 055 056, 402 412, 452
K005.xxx.MR	Minus Roses – pair	2.5	\$290	\$310
K005.xxx.IMR	Individual Minus Rose – half pair	1.5	145	155

K006 Knob
shown w/ R012 Rose



Item #	Description	Wt.	030, 031 033, 034, 040	
			050, 060, 102 112, 150, 151 190, 260, 264	003, 055 056, 402 412, 452
K006.xxx.MR	Minus Roses – pair	2.5	\$290	\$310
K006.xxx.IMR	Individual Minus Rose – half pair	1.5	145	155

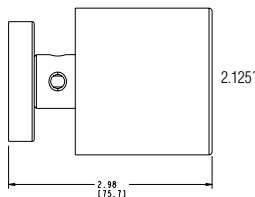
5055S Knob – STAINLESS STEEL
shown w/ 5032S Rose



Item #	Description	Wt.	320, 324	
			5055S.xxx.MR	Minus Roses – pair
5055S.xxx.IMR	Individual Minus Rose – half pair	.55	73	
5055S.xxx.MRPN	Minus Roses – pair (PINNED)	1.1	210	

320 & 324 are not rust proof.

5061S Knob – STAINLESS STEEL
shown w/ 5032S Rose



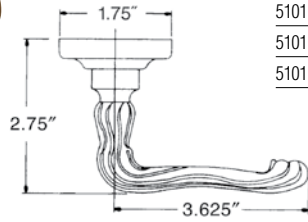
Item #	Description	Wt.	320, 324	
			5061S.xxx.MR	Minus Roses – pair
5061S.xxx.IMR	Individual Minus Rose – half pair	.55	73	
5061S.xxx.MRPN	Minus Roses – pair (PINNED)	1.1	210	

NOT RECOMMENDED FOR USE WITH PRIVACY ROSES

320 & 324 are not rust proof.

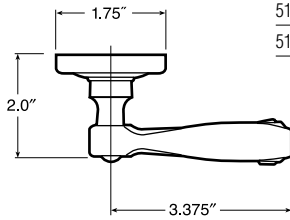
LEVERS SOLID BRASS

5101 Lever
shown w/ 5002 Rose



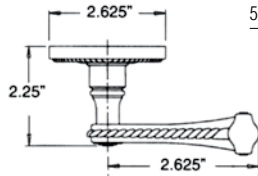
Item #	Description	Wt.	030, 031	
			033, 034, 040	003, 055
5101.xxx.MR	Minus Roses – pair	2.5	\$145	\$165
5101.xxx.RMR (.LMR)	Right (Left) Minus Rose – half pair	1.3	73	83
5101.xxx.MRPN	Minus Roses – pair (PINNED)	2.5	210	230

5103 Lever
shown w/ 5002 Rose



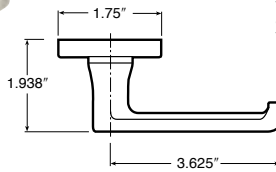
Item #	Description	Wt.	030, 031	
			033, 034, 040	003, 055
5103.xxx.MR	Minus Roses – pair	1.5	\$145	\$165
5103.xxx.RMR (.LMR)	Right (Left) Minus Rose – half pair	.8	73	83
5103.xxx.MRPN	Minus Roses – pair (PINNED)	1.5	210	230

5104 Lever
shown w/ 5004 Rose



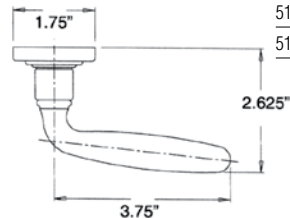
Item #	Description	Wt.	030, 031	
			033, 034, 040	003, 055
5104.xxx.MR	Minus Roses – pair	1.5	\$145	\$165
5104.xxx.RMR (.LMR)	Right (Left) Minus Rose – half pair	.8	73	83
5104.xxx.MRPN	Minus Roses – pair (PINNED)	1.5	210	230

5105 Lever
shown w/ 5006 Rose



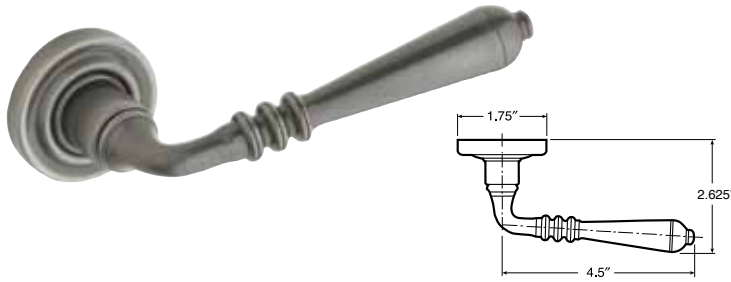
Item #	Description	Wt.	030, 031	
			033, 034, 040	003, 055
5105.xxx.MR	Minus Roses – pair	1.0	\$145	\$165
5105.xxx.RMR (.LMR)	Right (Left) Minus Rose – half pair	.5	73	83
5105.xxx.MRPN	Minus Roses – pair (PINNED)	1.0	210	230

5106 Lever
shown w/ 5002 Rose



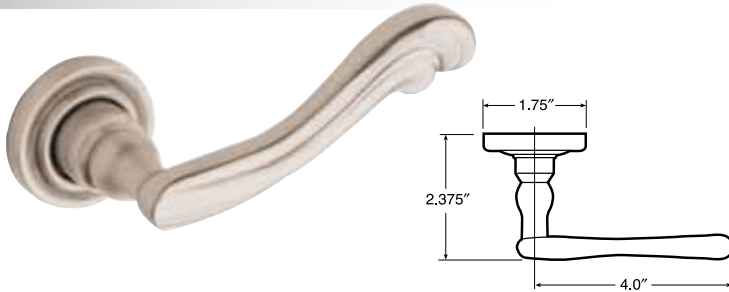
Item #	Description	Wt.	030, 031	
			033, 034, 040	003, 055
5106.xxx.MR	Minus Roses – pair	1.0	\$145	\$165
5106.xxx.RMR (.LMR)	Right (Left) Minus Rose – half pair	.5	73	83
5106.xxx.MRPN	Minus Roses – pair (PINNED)	1.0	210	230

5107 Lever
shown w/ 5002 Rose



Item #	Description	Wt.	030, 031	
			033, 034, 040	003, 055
5107.xxx.MR	Minus Roses – pair	1.2	\$145	\$165
5107.xxx.RMR (LMR)	Right (Left) Minus Rose – half pair	.6	73	83
5107.xxx.MRPN	Minus Roses – pair (PINNED)	1.2	210	230

5108 Lever
shown w/ 5002 Rose



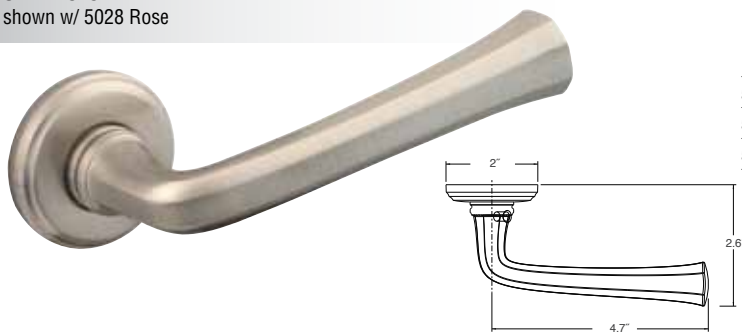
Item #	Description	Wt.	030, 031	
			033, 034, 040	003, 055
5108.xxx.MR	Minus Roses – pair	1.3	\$145	\$165
5108.xxx.RMR (LMR)	Right (Left) Minus Rose – half pair	.7	73	83
5108.xxx.MRPN	Minus Roses – pair (PINNED)	1.3	210	230

5109 Lever
shown w/ 5002 Rose



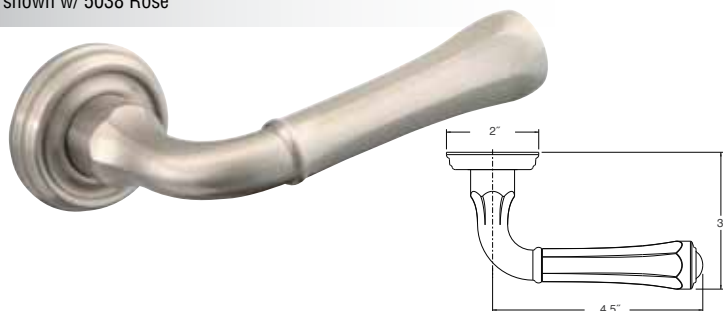
Item #	Description	Wt.	030, 031	
			033, 034, 040	003, 055
5109.xxx.MR	Minus Roses – pair	1.3	\$145	\$165
5109.xxx.RMR (LMR)	Right (Left) Minus Rose – half pair	.7	73	83
5109.xxx.MRPN	Minus Roses – pair (PINNED)	1.3	210	230

5112 Lever
shown w/ 5028 Rose



Item #	Description	Wt.	030, 031	
			033, 034, 040	003, 055
5112.xxx.MR	Minus Roses – pair	1.1	\$160	\$180
5112.xxx.RMR (LMR)	Right (Left) Minus Rose – half pair	.55	80	90
5112.xxx.MRPN	Minus Roses – pair (PINNED)	1.1	225	245

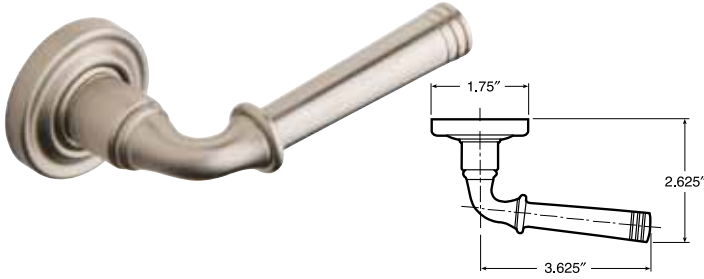
5113 Lever
shown w/ 5038 Rose



Item #	Description	Wt.	030, 031	
			033, 034, 040	003, 055
5113.xxx.MR	Minus Roses – pair	1.1	\$160	\$180
5113.xxx.RMR (LMR)	Right (Left) Minus Rose – half pair	.55	80	90
5113.xxx.MRPN	Minus Roses – pair (PINNED)	1.1	225	245

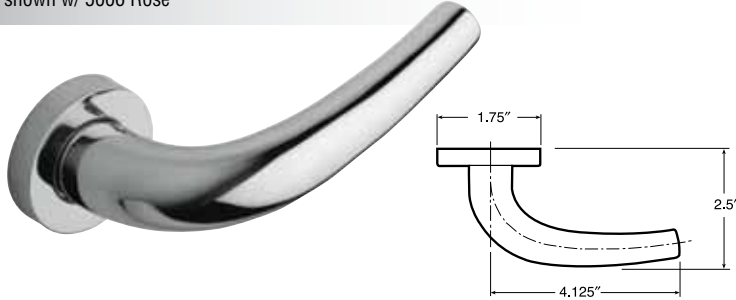
LEVERS SOLID BRASS

5114 Lever shown w/ 5002 Rose



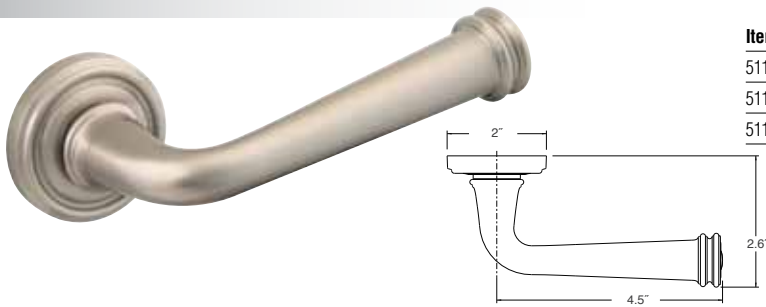
Item #	Description	Wt.	030, 031 033, 034, 040	
			050, 060, 102 112, 150, 151 190, 260, 264	003, 055 056, 402 412, 452
5114.xxx.MR	Minus Roses – pair	1.3	\$145	\$165
5114.xxx.RMR (LMR)	Right (Left) Minus Rose – half pair	.7	73	83
5114.xxx.MRPN	Minus Roses – pair (PINNED)	1.3	210	230

5115 Lever shown w/ 5006 Rose



Item #	Description	Wt.	030, 031 033, 034, 040	
			050, 060, 102 112, 150, 151 190, 260, 264	003, 055 056, 402 412, 452
5115.xxx.MR	Minus Roses – pair	1.5	\$145	\$165
5115.xxx.RMR (LMR)	Right (Left) Minus Rose – half pair	.8	73	83
5115.xxx.MRPN	Minus Roses – pair (PINNED)	1.5	210	230

5116 Lever shown w/ 5010 Rose



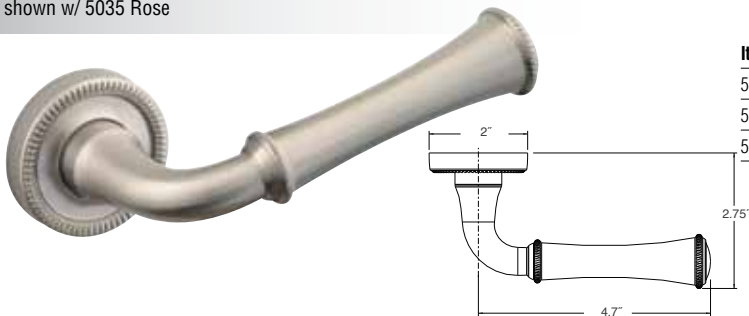
Item #	Description	Wt.	030, 031 033, 034, 040	
			050, 060, 102 112, 150, 151 190, 260, 264	003, 055 056, 402 412, 452
5116.xxx.MR	Minus Roses – pair	1.1	\$160	\$180
5116.xxx.RMR (LMR)	Right (Left) Minus Rose – half pair	.55	80	90
5116.xxx.MRPN	Minus Roses – pair (PINNED)	1.1	225	245

5117 Lever shown w/ 5002 Rose



Item #	Description	Wt.	030, 031 033, 034, 040	
			050, 060, 102 112, 150, 151 190, 260, 264	003, 055 056, 402 412, 452
5117.xxx.MR	Minus Roses – pair	1.3	\$145	\$165
5117.xxx.RMR (LMR)	Right (Left) Minus Rose – half pair	.7	73	83
5117.xxx.MRPN	Minus Roses – pair (PINNED)	1.3	210	230

5118 Lever shown w/ 5035 Rose

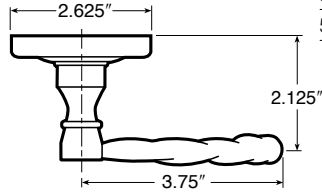


Item #	Description	Wt.	030, 031 033, 034, 040	
			050, 060, 102 112, 150, 151 190, 260, 264	003, 055 056, 402 412, 452
5118.xxx.MR	Minus Roses – pair	1.1	\$160	\$180
5118.xxx.RMR (LMR)	Right (Left) Minus Rose – half pair	.55	80	90
5118.xxx.MRPN	Minus Roses – pair (PINNED)	1.1	225	245

All Baldwin levers are ADA 4.13.9 Compliant

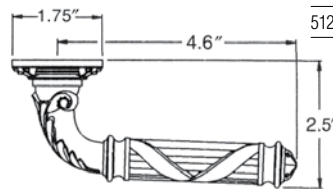
BALDWIN

5121 Lever
shown w/ 5019 Rose



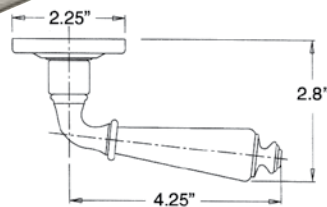
Item #	Description	Wt.	030, 031	
			033, 034, 040	003, 055
5121.xxx.MR	Minus Roses – pair	1.0	\$145	\$165
5121.xxx.RMR (.LMR)	Right (Left) Minus Rose – half pair	.5	73	83
5121.xxx.MRPN	Minus Roses – pair (PINNED)	1.0	210	230

5122 Lever
shown w/ 5016 Rose



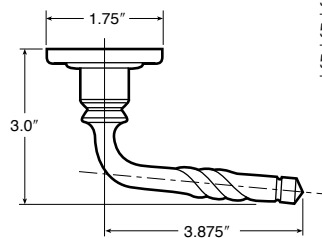
Item #	Description	Wt.	030, 031	
			033, 034, 040	003, 055
5122.xxx.MR	Minus Roses – pair	1.6	\$145	\$165
5122.xxx.RMR (.LMR)	Right (Left) Minus Rose – half pair	.8	73	83
5122.xxx.MRPN	Minus Roses – pair (PINNED)	1.6	210	230

5125 Lever
shown w/ 5017 Rose



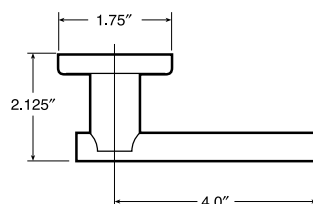
Item #	Description	Wt.	030, 031	
			033, 034, 040	003, 055
5125.xxx.MR	Minus Roses – pair	1.4	\$145	\$165
5125.xxx.RMR (.LMR)	Right (Left) Minus Rose – half pair	.7	73	83
5125.xxx.MRPN	Minus Roses – pair (PINNED)	1.4	210	230

5132 Lever
shown w/ 5002 Rose



Item #	Description	Wt.	030, 031	
			033, 034, 040	003, 055
5132.xxx.MR	Minus Roses – pair	1.0	\$145	\$165
5132.xxx.RMR (.LMR)	Right (Left) Minus Rose – half pair	.5	73	83
5132.xxx.MRPN	Minus Roses – pair (PINNED)	1.0	210	230

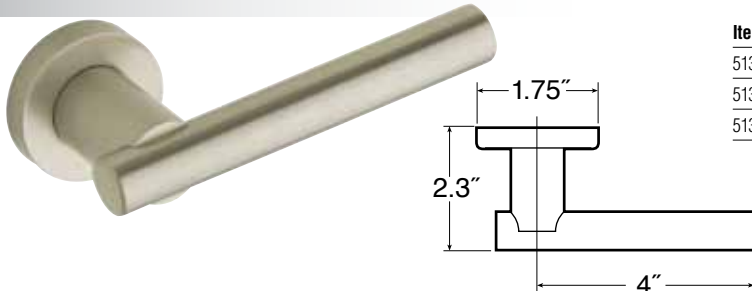
5135 Lever
shown w/ 5006 Rose



Item #	Description	Wt.	030, 031	
			033, 034, 040	003, 055
5135.xxx.MR	Minus Roses – pair	1.6	\$145	\$165
5135.xxx.RMR (.LMR)	Right (Left) Minus Rose – half pair	.8	73	83
5135.xxx.MRPN	Minus Roses – pair (PINNED)	1.6	210	230

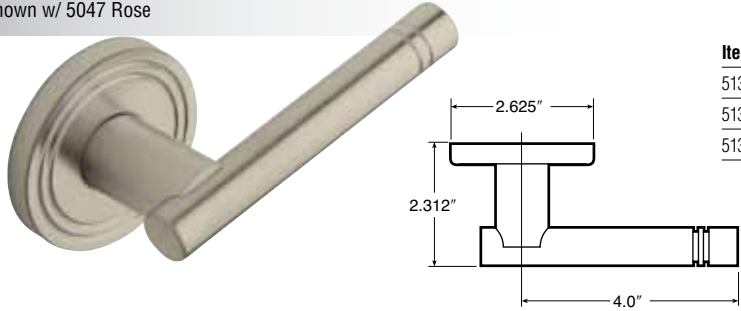
LEVERS SOLID BRASS

5137 Lever shown w/ 5006 Rose



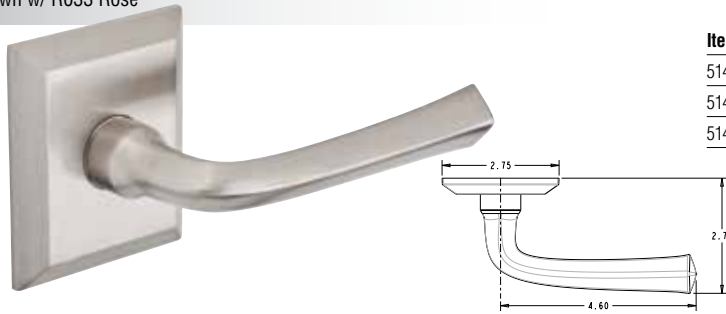
Item #	Description	Wt.	030, 031	
			033, 034, 040	003
5137.xxx.MR	Minus Roses – pair	2.1	\$145	\$165
5137.xxx.RMR (.LMR)	Right (Left) Minus Rose – half pair	1.1	73	83
5137.xxx.MRPN	Minus Roses – pair (PINNED)	2.1	210	230

5138 Lever shown w/ 5047 Rose



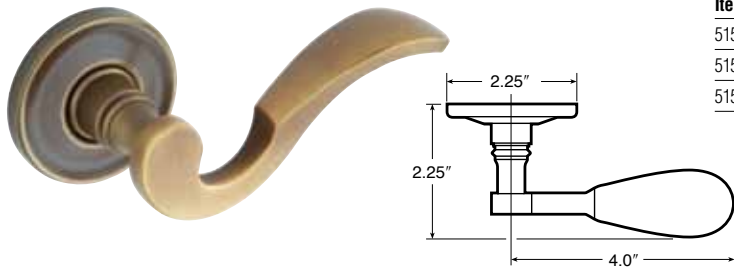
Item #	Description	Wt.	030, 031	
			033, 034, 040	003
5138.xxx.MR	Minus Roses – pair	2.3	\$145	\$165
5138.xxx.RMR (.LMR)	Right (Left) Minus Rose – half pair	1.2	73	83
5138.xxx.MRPN	Minus Roses – pair (PINNED)	2.3	210	230

5141 Lever shown w/ R033 Rose



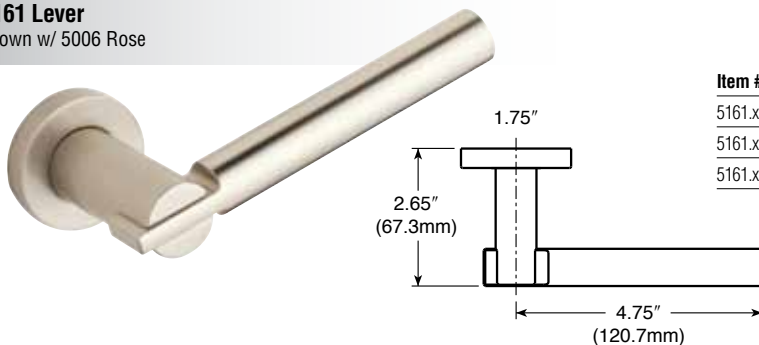
Item #	Description	Wt.	030, 031	
			033, 034, 040	003, 055
5141.xxx.MR	Minus Roses – pair	1.1	\$160	\$180
5141.xxx.RMR (.LMR)	Right (Left) Minus Rose – half pair	.55	80	90
5141.xxx.MRPN	Minus Roses – pair (PINNED)	1.1	225	245

5152 Lever shown w/ 5017 Rose



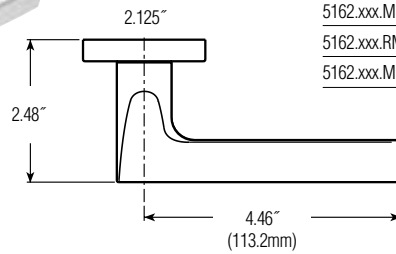
Item #	Description	Wt.	030, 031	
			033, 034, 040	003, 055
5152.xxx.MR	Minus Roses – pair	1.0	\$145	\$165
5152.xxx.RMR (.LMR)	Right (Left) Minus Rose – half pair	.5	73	83
5152.xxx.MRPN	Minus Roses – pair (PINNED)	1.0	210	230

5161 Lever shown w/ 5006 Rose



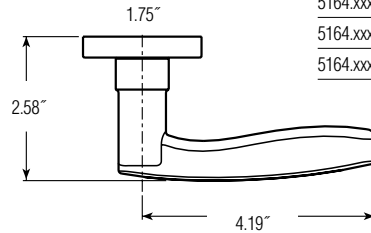
Item #	Description	Wt.	030, 031	
			033, 034, 040	003
5161.xxx.MR	Minus Roses – pair	1.2	\$145	\$165
5161.xxx.RMR (.LMR)	Right (Left) Minus Rose – half pair	.6	73	83
5161.xxx.MRPN	Minus Roses – pair (PINNED)	1.2	210	230

5162 Lever
shown w/ 5032 Rose



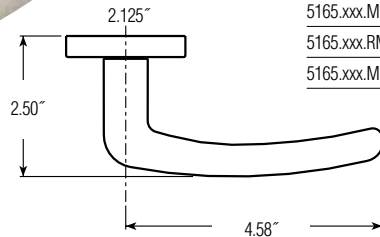
Item #	Description	Wt.	030, 031	
			033, 034, 040	003, 055
5162.xxx.MR	Minus Roses – pair	1.4	\$145	\$165
5162.xxx.RMR (LMR)	Right (Left) Minus Rose – half pair	.7	73	83
5162.xxx.MRPN	Minus Roses – pair (PINNED)	1.4	210	230

5164 Lever
shown w/ 5006 Rose



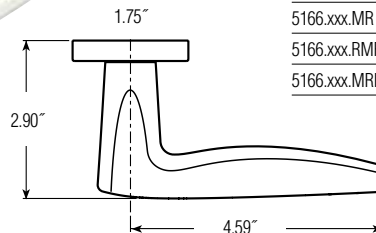
Item #	Description	Wt.	030, 031	
			033, 034, 040	003, 055
5164.xxx.MR	Minus Roses – pair	1.3	\$145	\$165
5164.xxx.RMR (LMR)	Right (Left) Minus Rose – half pair	.7	73	83
5164.xxx.MRPN	Minus Roses – pair (PINNED)	1.3	210	230

5165 Lever
shown w/ 5032 Rose



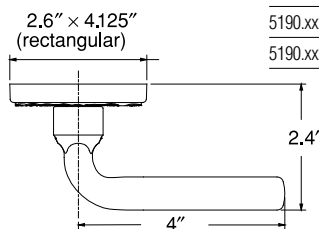
Item #	Description	Wt.	030, 031	
			033, 034, 040	003, 055
5165.xxx.MR	Minus Roses – pair	1.2	\$145	\$165
5165.xxx.RMR (LMR)	Right (Left) Minus Rose – half pair	.6	73	83
5165.xxx.MRPN	Minus Roses – pair (PINNED)	1.2	210	230

5166 Lever
shown w/ 5006 Rose



Item #	Description	Wt.	030, 031	
			033, 034, 040	003, 055
5166.xxx.MR	Minus Roses – pair	2.0	\$145	\$165
5166.xxx.RMR (LMR)	Right (Left) Minus Rose – half pair	1.0	73	83
5166.xxx.MRPN	Minus Roses – pair (PINNED)	2.0	210	230

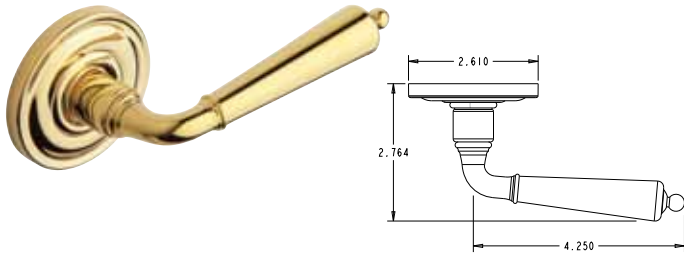
5190 Lever
shown w/ 5042 Rose



Item #	Description	Wt.	030, 031	
			033, 034, 040	003, 055
5190.xxx.MR	Minus Roses – pair	2.3	\$145	\$165
5190.xxx.RMR (LMR)	Right (Left) Minus Rose – half pair	1.2	73	83
5190.xxx.MRPN	Minus Roses – pair (PINNED)	2.3	210	230

LEVERS SOLID BRASS

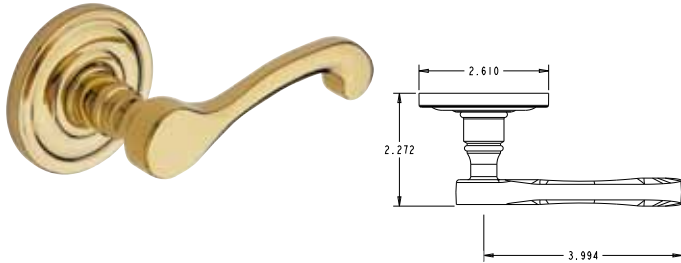
5440V Colonial Lever shown w/ 5048 Rose



Item #	Description	Wt.	030, 031	
			033, 034, 040	003, 055
5440V.xxx.MR	Minus Roses - pair	-	\$100	\$120
5440V.xxx.RMR (LMR)	Minus Roses - half pair	-	50	60

For easy ordering, select finishes and functions of pre-configured tubular sets are available on page 42.

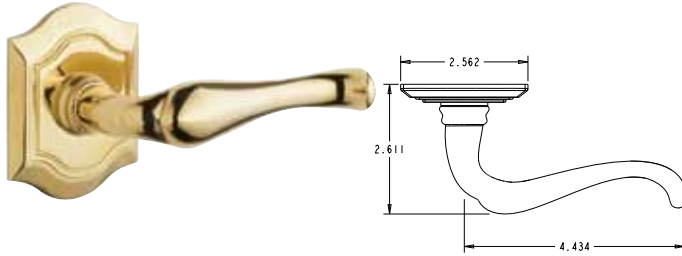
5445V Classic Lever shown w/ 5048 Rose



Item #	Description	Wt.	030, 031	
			033, 034, 040	003, 055
5445V.xxx.MR	Minus Roses - pair	-	\$100	\$120
5445V.xxx.RMR (LMR)	Minus Roses - half pair	-	50	60

For easy ordering, select finishes and functions of pre-configured tubular sets are available on page 42.

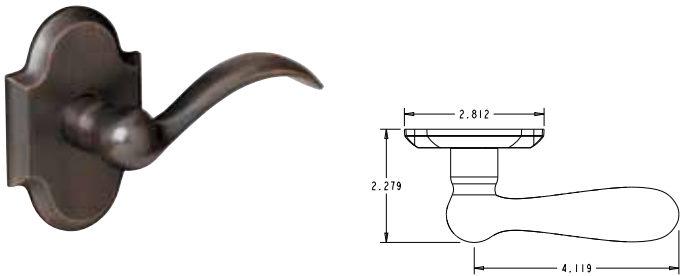
5447V Bethpage Lever shown w/ R027 Bethpage Rose



Item #	Description	Wt.	030, 031	
			033, 034, 040	003, 055
5447V.xxx.MR	Minus Roses - pair	-	\$100	\$120
5447V.xxx.RMR (LMR)	Minus Roses - half pair	-	50	60

For easy ordering, select finishes and functions of pre-configured tubular sets are available on page 43.

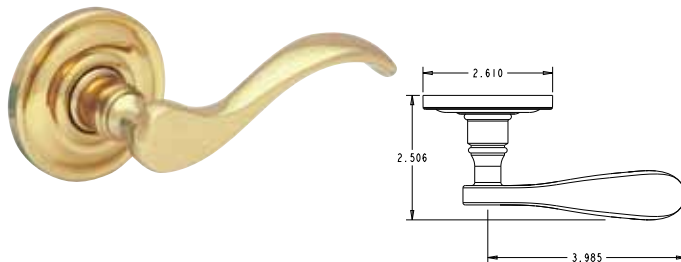
5452V Lever shown w/ R030 Arch Rose



Item #	Description	Wt.	030, 031	
			033, 034, 040	003, 055
5452V.xxx.MR	Minus Roses - pair	-	\$100	\$120
5452V.xxx.RMR (LMR)	Minus Roses - half pair	-	50	60

For easy ordering, select finishes and functions of pre-configured tubular sets are available on page 43.

5455V Wave Lever shown w/ 5048 Rose

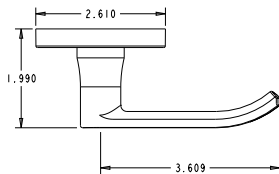


Item #	Description	Wt.	030, 031	
			033, 034, 040	003, 055
5455V.xxx.MR	Minus Roses - pair	-	\$100	\$120
5455V.xxx.RMR (LMR)	Minus Roses - half pair	-	50	60

For easy ordering, select finishes and functions of pre-configured tubular sets are available on page 43.

5465V Contemporary Lever

shown w/ 5046 Rose

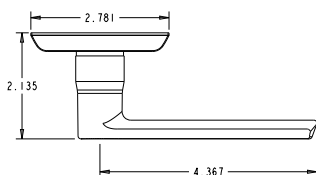


Item #	Description	Wt.	030, 031	
			033, 034, 040	003, 055
5465V.xxx.MR	Minus Roses - pair	-	\$100	\$120
5465V.xxx.RMR (LMR)	Minus Roses - half pair	-	50	60

For easy ordering, select finishes and functions of pre-configured tubular sets are available on page 43.

5460V Soho Lever

shown w/ R026 Soho Rose

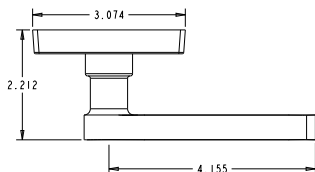


Item #	Description	Wt.	030, 031	
			033, 034, 040	003, 055
5460V.xxx.MR	Minus Roses - pair	-	\$100	\$120
5460V.xxx.RMR (LMR)	Minus Roses - half pair	-	50	60

For easy ordering, select finishes and functions of pre-configured tubular sets are available on page 43.

5485V Tahoe Lever

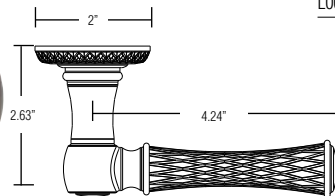
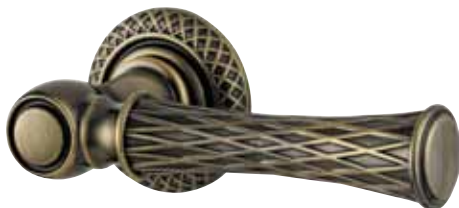
shown w/ R025 Tahoe Rose



Item #	Description	Wt.	030, 031	
			033, 034, 040	003, 055
5485V.xxx.MR	Minus Roses - pair	-	\$100	\$120
5485V.xxx.RMR (LMR)	Minus Roses - half pair	-	50	60

L002 Lever

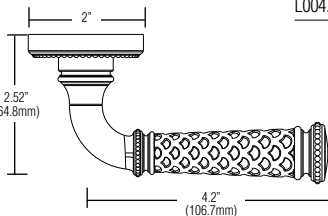
shown w/ R003 Rose



Item #	Description	Wt.	030, 031	
			033, 034, 040	402
L002.xxx.MR	Minus Roses - pair	1.4	\$530	\$550
L002.xxx.RMR (LMR)	Right (Left) Minus Rose - half pair	0.7	265	275

L004 Lever

shown w/ R007 Rose

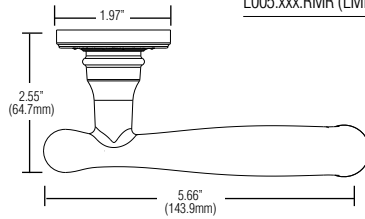


Item #	Description	Wt.	030, 031	
			033, 034, 040	402
L004.xxx.MR	Minus Roses - pair	1.4	\$530	\$550
L004.xxx.RMR (LMR)	Right (Left) Minus Rose - half pair	0.7	265	275

LEVERS SOLID BRASS

L005 Lever

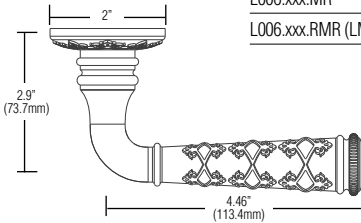
shown w/ R009 Rose



Item #	Description	Wt.	030, 031	
			033, 034, 040	003, 055
L005.xxx.MR	Minus Roses – pair	1.4	\$530	\$550
L005.xxx.RMR (LMR)	Right (Left) Minus Rose – half pair	0.7	265	275

L006 Lever

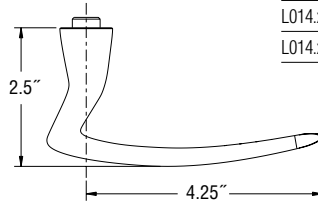
shown w/ R011 Rose



Item #	Description	Wt.	030, 031	
			033, 034, 040	003, 055
L006.xxx.MR	Minus Roses – pair	1.4	\$530	\$550
L006.xxx.RMR (LMR)	Right (Left) Minus Rose – half pair	0.7	265	275

L014 Lever

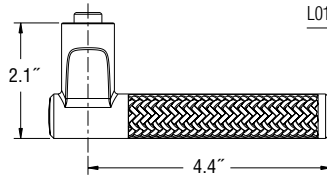
shown w/ R018 Rose



Item #	Description	Wt.	030, 031	
			033, 034, 040	003, 055
L014.xxx.MR	Minus Roses – pair	-	\$145	\$165
L014.xxx.RMR (.LMR)	Right (Left) Minus Rose – half pair	-	73	83
L014.xxx.MRPN	Minus Roses – pair (PINNED)	-	210	230

L015 Lever

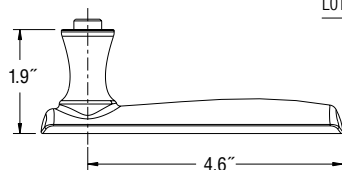
shown w/ R018 Rose



Item #	Description	Wt.	030, 031	
			033, 034, 040	003, 055
L015.xxx.MR	Minus Roses – pair	-	\$145	\$165
L015.xxx.RMR (.LMR)	Right (Left) Minus Rose – half pair	-	73	83
L015.xxx.MRPN	Minus Roses – pair (PINNED)	-	210	230

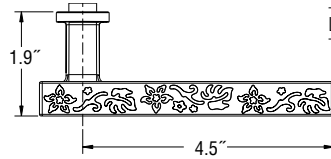
L016 Lever

shown w/ 5046 Rose



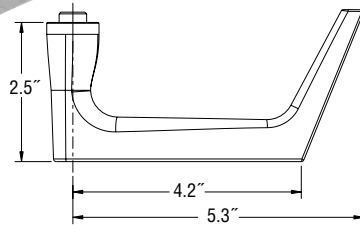
Item #	Description	Wt.	030, 031	
			033, 034, 040	003, 055
L016.xxx.MR	Minus Roses – pair	-	\$145	\$165
L016.xxx.RMR (.LMR)	Right (Left) Minus Rose – half pair	-	73	83
L016.xxx.MRPN	Minus Roses – pair (PINNED)	-	210	230

L017 Lever
shown w/ R017 Rose



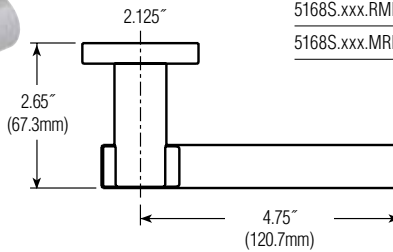
Item #	Description	Wt.	030, 031	
			033, 034, 040	003, 055
L017.xxx.MR	Minus Roses – pair	-	\$145	\$165
L017.xxx.RMR (LMR)	Right (Left) Minus Rose – half pair	-	73	83
L017.xxx.MRPN	Minus Roses – pair (PINNED)	-	210	230

L018 Lever



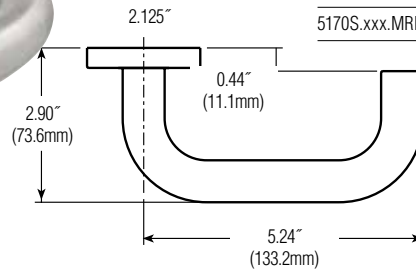
Item #	Description	Wt.	030, 031	
			033, 034, 040	003, 055
L018.xxx.MR	Minus Roses – pair	-	\$145	\$165
L018.xxx.RMR (LMR)	Right (Left) Minus Rose – half pair	-	73	83
L018.xxx.MRPN	Minus Roses – pair (PINNED)	-	210	230

5168S Lever – STAINLESS STEEL
shown w/ 5032S Rose



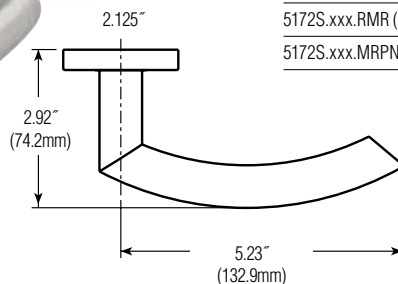
Item #	Description	Wt.	320, 324
5168S.xxx.MR	Minus Roses – pair	1.1	\$145
5168S.xxx.RMR (LMR)	Right (Left) Minus Rose – half pair	.55	73
5168S.xxx.MRPN	Minus Roses – pair (PINNED)	1.1	210

5170S Lever – STAINLESS STEEL
shown w/ 5032S Rose



Item #	Description	Wt.	320, 324
5170S.xxx.MR	Minus Roses – pair	1.1	\$145
5170S.xxx.RMR (LMR)	Right (Left) Minus Rose – half pair	.55	73
5170S.xxx.MRPN	Minus Roses – pair (PINNED)	1.1	210

5172S Lever – STAINLESS STEEL
shown w/ 5032S Rose



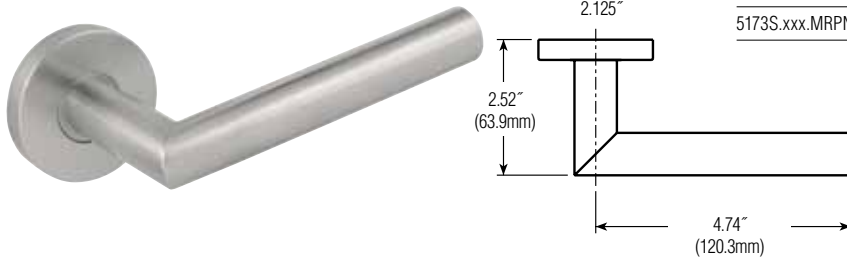
Item #	Description	Wt.	320, 324
5172S.xxx.MR	Minus Roses – pair	1.1	\$145
5172S.xxx.RMR (LMR)	Right (Left) Minus Rose – half pair	.55	73
5172S.xxx.MRPN	Minus Roses – pair (PINNED)	1.1	210

LEVERS | ROSETTES

STAINLESS STEEL | SOLID BRASS

5173S Lever – STAINLESS STEEL

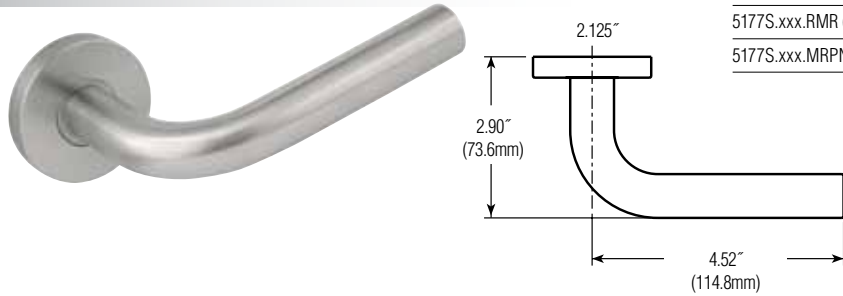
shown w/ 5032S Rose



Item #	Description	Wt.	320, 324
5173S.xxx.MR	Minus Roses – pair	1.1	\$145
5173S.xxx.RMR (LMR)	Right (Left) Minus Rose – half pair	.55	73
5173S.xxx.MRPN	Minus Roses – pair (PINNED)	1.1	210

5177S Lever – STAINLESS STEEL

shown w/ 5032S Rose



Item #	Description	Wt.	320, 324
5177S.xxx.MR	Minus Roses – pair	1.1	\$145
5177S.xxx.RMR (LMR)	Right (Left) Minus Rose – half pair	.55	73
5177S.xxx.MRPN	Minus Roses – pair (PINNED)	1.1	210

ROSETTES

SOLID BRASS

Rosettes

5002, 5017, 5048, 5148



Item #	Description	Wt.	030, 031		003, 055
			033, 034, 040	050, 060, 102	
			112, 150, 151	190, 260, 264	056, 402
5002.xxx	1.75" Passage – pair	.2		\$36	\$46
5002.xxx.FD	1.75" Dummy – pair				
5002.xxx.I	1.75" Passage – half pair	.1	18		23
5002.xxx.IDM	1.75" Dummy – half pair				
5017.xxx	2.25" Passage – pair	.4	44		54
5017.xxx.FD	2.25" Dummy – pair				
5017.xxx.I	2.25" Passage – half pair	.2	22		27
5017.xxx.IDM	2.25" Dummy – half pair				
5048.xxx	2.625" Passage – pair	.8	44		54
5048.xxx.FD	2.625" Dummy – pair				
5048.xxx.I	2.625" Passage – half pair	.4	22		27
5048.xxx.IDM	2.625" Dummy – half pair				
5148.xxx	2.625" Privacy – pair	.8	44		54
5148.xxx.I	2.625" Privacy – half pair	.4	22		27

Rosette

5003



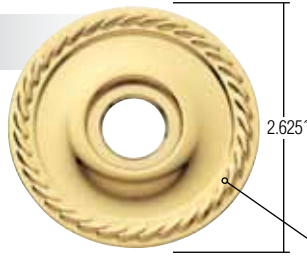
Item #	Description	Wt.	030, 031		003, 055
			033, 034, 040	050, 060, 102	
			112, 150, 151	190, 260, 264	056, 402
5003.xxx	2" Passage – pair	.4	\$50		\$60
5003.xxx.FD	2" Dummy – pair				
5003.xxx.I	2" Passage – half pair	.2	25		30
5003.xxx.IDM	2" Dummy – half pair				

All Baldwin levers are ADA 4.13.9 Compliant
 Baldwin Stainless Steel products are crafted with Grade 304 Stainless Steel
 320 & 324 are not rust proof.

BALDWIN

Rosette
5004, 5149

5004
5149

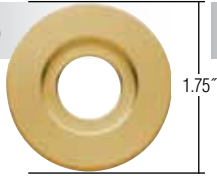


Large enough to cover 2.125" pre-bored door

Item #	Description	Wt.	030, 031		
			033, 034, 040	050, 060, 102	003, 055
			112, 150, 151	190, 260, 264	056, 402
5004.xxx	2.625" Passage – pair	.8	\$50		\$60
5004.xxx.FD	2.625" Dummy – pair				
5004.xxx.I	2.625" Passage – half pair	.4	25		30
5004.xxx.IDM	2.625" Dummy – half pair				
5149.xxx	2.625" Privacy – pair	.8	50		60
5149.xxx.I	2.625" Privacy – half pair	.4	25		30

Rosettes
5006, 5032, 5139, 5046, 5146

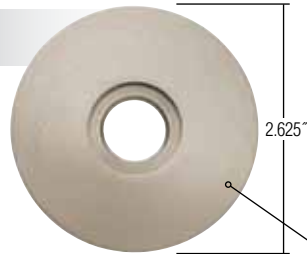
5006



5032
5139



5046
5146



Large enough to cover 2.125" pre-bored door

Item #	Description	Wt.	030, 031		
			033, 034, 040	050, 060, 102	003, 055
			112, 150, 151	190, 260, 264	056, 402
5006.xxx	1.75" Passage – pair	.3	\$36		\$46
5006.xxx.FD	1.75" Dummy – pair				
5006.xxx.I	1.75" Passage – half pair	.15	18		23
5006.xxx.IDM	1.75" Dummy – half pair				
5032.xxx	2.125" Passage – pair	.4	44		54
5032.xxx.FD	2.125" Dummy – pair	.4	25		30
5032.xxx.I	2.125" Passage – half pair	.2	22		27
5032.xxx.IDM	2.125" Dummy – half pair				
5139.xxx	2.125" Privacy – pair	.4	44		54
5139.xxx.I	2.125" Privacy – half pair	.2	22		27
5046.xxx	2.625" Passage – pair	.8	44		54
5046.xxx.FD	2.625" Dummy – pair				
5046.xxx.I	2.625" Passage – half pair	.4	22		27
5046.xxx.IDM	2.625" Dummy – half pair				
5146.xxx	2.625" Privacy – pair	.8	44		54
5146.xxx.I	2.625" Privacy – half pair	.4	22		27

Rosettes
5010, 5151, 5070, 5123

5010
5151



5070
5123



Large enough to cover 2.125" pre-bored door

Item #	Description	Wt.	030, 031		
			033, 034, 040	050, 060, 102	003, 055
			112, 150, 151	190, 260, 264	056, 402
5010.xxx	2" Passage – pair	.4	\$50		\$60
5010.xxx.FD	2" Dummy – pair				
5010.xxx.I	2" Passage – half pair	.2	25		30
5010.xxx.IDM	2" Dummy – half pair				
5151.xxx	2" Privacy – pair	.4	50		60
5151.xxx.I	2" Privacy – half pair	.2	25		30
5070.xxx	2.625" Passage – pair	.8	50		60
5070.xxx.FD	2.625" Dummy – pair				
5070.xxx.I	2.625" Passage – half pair	.4	25		30
5070.xxx.IDM	2.625" Dummy – half pair				
5123.xxx	2.625" Privacy – pair	.8	50		60
5123.xxx.I	2.625" Privacy – half pair	.4	25		30

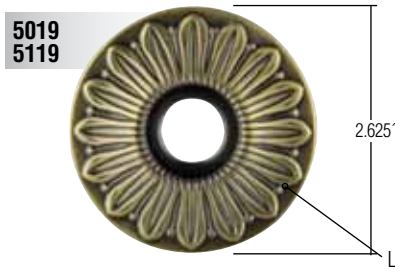
ROSETTES SOLID BRASS

Rosettes 5016, 5021, 5145



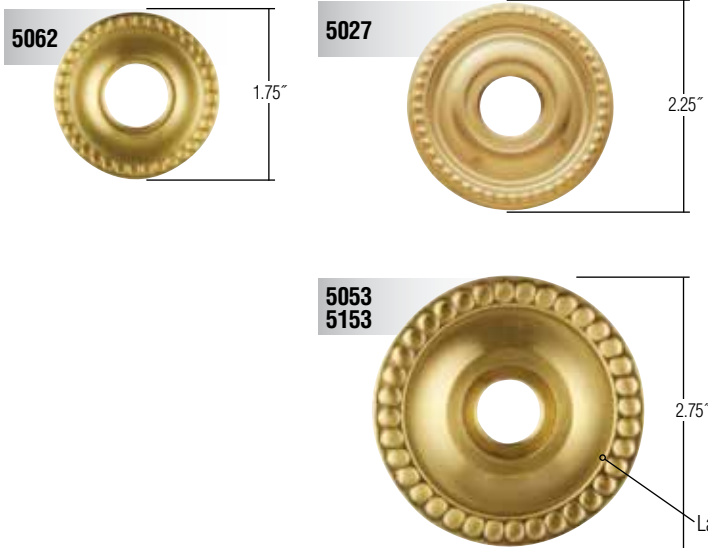
Item #	Description	Wt.	030, 031		003, 055
			033, 034, 040	050, 060, 102	
			112, 150, 151	190, 260, 264	056, 402
			412, 452		
5016.xxx	1.75" Passage – pair	.3	\$36		\$46
5016.xxx.FD	1.75" Dummy – pair				
5016.xxx.I	1.75" Passage – half pair	.2	18		23
5016.xxx.IDM	1.75" Dummy – half pair				
5021.xxx	2.625" Passage – pair	.8	50		60
5021.xxx.FD	2.625" Dummy – pair				
5021.xxx.I	2.625" Passage – half pair	.4	25		30
5021.xxx.IDM	2.625" Dummy – half pair				
5145.xxx	2.625" Privacy – pair	.8	50		60
5145.xxx.I	2.625" Privacy – half pair	.4	25		30

Rosettes 5019, 5119



Item #	Description	Wt.	030, 031		003, 055
			033, 034, 040	050, 060, 102	
			112, 150, 151	190, 260, 264	056, 402
			412, 452		
5019.xxx	2.625" Passage – pair	.5	\$50		\$60
5019.xxx.FD	2.625" Dummy – pair				
5019.xxx.I	2.625" Passage – half pair	.3	25		30
5019.xxx.IDM	2.625" Dummy – half pair				
5119.xxx	2.625" Privacy – pair	.5	50		60
5119.xxx.I	2.625" Privacy – half pair	.3	25		30

Rosettes 5062, 5027, 5053, 5153



Item #	Description	Wt.	030, 031		003, 055
			033, 034, 040	050, 060, 102	
			112, 150, 151	190, 260, 264	056, 402
			412, 452		
5062.xxx	1.75" Passage – pair	.2	\$36		\$46
5062.xxx.FD	1.75" Dummy – pair				
5062.xxx.I	1.75" Passage – half pair	.1	18		23
5062.xxx.IDM	1.75" Dummy – half pair				
5027.xxx	2.25" Passage – pair	.8	50		60
5027.xxx.FD	2.25" Dummy – pair				
5027.xxx.I	2.25" Passage – half pair	.4	25		30
5027.xxx.IDM	2.25" Dummy – half pair				
5053.xxx	2.625" Passage – pair	.8	50		60
5053.xxx.FD	2.625" Dummy – pair				
5053.xxx.I	2.625" Passage – half pair	.4	25		30
5053.xxx.IDM	2.625" Dummy – half pair				
5153.xxx	2.625" Privacy – pair	.8	50		60
5153.xxx.I	2.625" Privacy – half pair	.4	25		30

Rosettes
5028, 5155, 5075, 5127



Item #	Description	Wt.	030, 031		003, 055
			033, 034, 040	050, 060, 102	
			112, 150, 151	190, 260, 264	056, 402
			412, 452		
5028.xxx	2" Passage – pair	4	\$50		\$60
5028.xxx.FD	2" Dummy – pair				
5028.xxx.I	2" Passage – half pair	.2	25		30
5028.xxx.IDM	2" Dummy – half pair				
5155.xxx	2" Privacy – pair	4	50		60
5155.xxx.I	2" Privacy – half pair	.2	25		30
5075.xxx	2.625" Passage – pair	.8	50		60
5075.xxx.FD	2.625" Dummy – pair				
5075.xxx.I	2.625" Passage – half pair	.4	25		30
5075.xxx.IDM	2.625" Dummy – half pair				
5127.xxx	2.625" Privacy – pair	.8	50		60
5127.xxx.I	2.625" Privacy – half pair	.4	25		30

Rosettes
5035, 5156, 5076, 5129



Item #	Description	Wt.	030, 031		003, 055
			033, 034, 040	050, 060, 102	
			112, 150, 151	190, 260, 264	056, 402
			412, 452		
5035.xxx	2" Passage – pair	4	\$50		\$60
5035.xxx.FD	2" Dummy – pair				
5035.xxx.I	2" Passage – half pair	.2	25		30
5035.xxx.IDM	2" Dummy – half pair				
5156.xxx	2" Privacy – pair	4	50		60
5156.xxx.I	2" Privacy – half pair	.2	25		30
5076..xxx	2.625" Passage – pair	.8	50		60
5076.xxx.FD	2.625" Dummy – pair				
5076.xxx.I	2.625" Passage – half pair	.4	25		30
5076.xxx.IDM	2.625" Dummy – half pair				
5129.xxx	2.625" Privacy – pair	.8	50		60
5129.xxx.I	2.625" Privacy – half pair	.4	25		30

Rosettes
5038, 5157, 5078, 5134

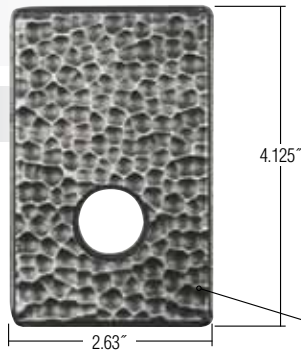


Item #	Description	Wt.	030, 031		003, 055
			033, 034, 040	050, 060, 102	
			112, 150, 151	190, 260, 264	056, 402
			412, 452		
5038.xxx	2" Passage – pair	4	\$50		\$60
5038.xxx.FD	2" Dummy – pair				
5038.xxx.I	2" Passage – half pair	.2	25		30
5038.xxx.IDM	2" Dummy – half pair				
5157.xxx	2" Privacy – pair	4	50		60
5157.xxx.I	2" Privacy – half pair	.2	25		30
5078..xxx	2.625" Passage – pair	.8	50		60
5078.xxx.FD	2.625" Dummy – pair				
5078.xxx.I	2.625" Passage – half pair	.4	25		30
5078.xxx.IDM	2.625" Dummy – half pair				
5134.xxx	2.625" Privacy – pair	.8	50		60
5134.xxx.I	2.625" Privacy – half pair	.4	25		30

ROSETTES SOLID BRASS

Rosettes 5042, 5142

5042
5142

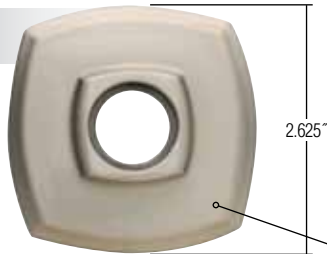


Large enough to cover 2.125" pre-bored door

Item #	Description	Wt.	030, 031 033, 034, 040 050, 060, 102 112, 150, 151 190, 260, 264		
					402 412 452
5042.xxx	2.63" x 4.125" Passage – pair	1.0	\$50		\$60
5042.xxx.FD	2.63" x 4.125" Dummy – pair				
5042.xxx.I	2.63" x 4.125" Passage – half pair	.5	25		30
5042.xxx.IDM	2.63" x 4.125" Dummy – half pair				
5142.xxx	2.63" x 4.125" Privacy – pair	1.0	50		60
5142.xxx.R (L)	2.63" x 4.125" Privacy – half pair	.5	25		30

Rosettes 5058, 5158

5058
5158

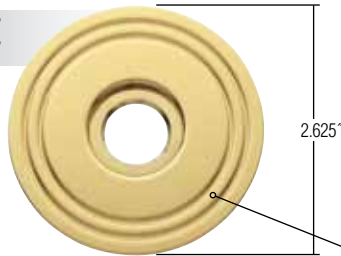


Large enough to cover 2.125" pre-bored door

Item #	Description	Wt.	030, 031 033, 034, 040 050, 060, 102 112, 150, 151 190, 260, 264		
					003, 055 056, 402 412, 452
5058.xxx	2.625" Passage – pair	.8	\$50		\$60
5058.xxx.FD	2.625" Dummy – pair				
5058.xxx.I	2.625" Passage – half pair	.4	25		30
5058.xxx.IDM	2.625" Dummy – half pair				
5158.xxx	2.625" Privacy – pair	.8	50		60
5158.xxx.I	2.625" Privacy – half pair	.4	25		30

Rosettes 5047, 5147

5047
5147

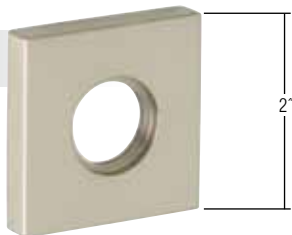


Large enough to cover 2.125" pre-bored door

Item #	Description	Wt.	030, 031 033, 034, 040 050, 060, 102 112, 150, 151 190, 260, 264		
					003, 055 056, 402 412, 452
5047.xxx	2.625" Passage – pair	.8	\$44		\$54
5047.xxx.FD	2.625" Dummy – pair				
5047.xxx.I	2.625" Passage – half pair	.4	22		27
5047.xxx.IDM	2.625" Dummy – half pair				
5147.xxx	2.625" Privacy – pair	.8	44		54
5147.xxx.I	2.625" Privacy – half pair	.4	22		27

Rosettes 5056, 5160

5056
5160



Item #	Description	Wt.	030, 031 033, 034, 040 050, 060, 102 112, 150, 151 190, 260, 264		
					003, 055 056, 402 412, 452
5056.xxx	2" Passage – pair	.8	\$44		\$54
5056.xxx.FD	2" Dummy – pair				
5056.xxx.I	2" Passage – half pair	.4	22		27
5056.xxx.IDM	2" Dummy – half pair				
5160.xxx	2" Privacy – pair	.8	44		54
5160.xxx.I	2" Privacy – half pair	.4	22		27

Rosettes 5059, 5159

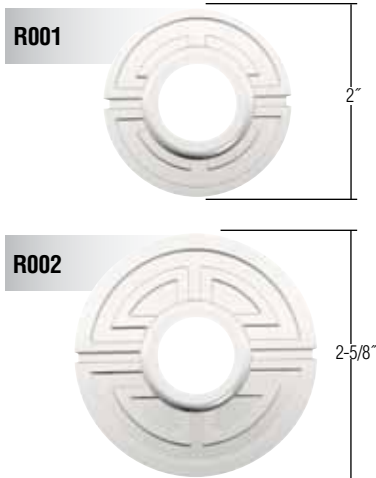
5059
5159



Large enough to cover 2.125" pre-bored door

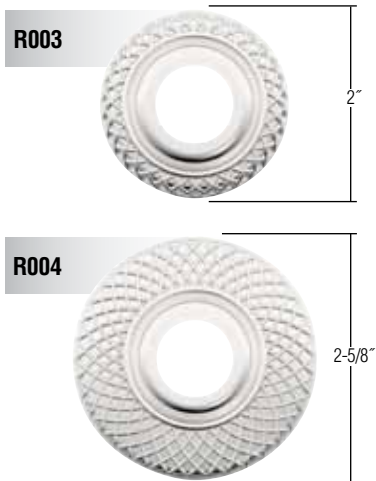
Item #	Description	Wt.	030, 031 033, 034, 040 050, 060, 102 112, 150, 151 190, 260, 264		
					003, 055 056, 402 412, 452
5059.xxx	2.63" x 4.125" Passage – pair	1.2	\$50		\$60
5059.xxx.FD	2.63" x 4.125" Dummy – pair				
5059.xxx.I	2.63" x 4.125" Passage – half pair	.6	25		30
5059.xxx.IDM	2.63" x 4.125" Dummy – half pair				
5159.xxx	2.63" x 4.125" Privacy – pair	1.2	50		60
5159.xxx.I	2.63" x 4.125" Privacy – half pair	.6	25		30

Rosettes
R001, R002



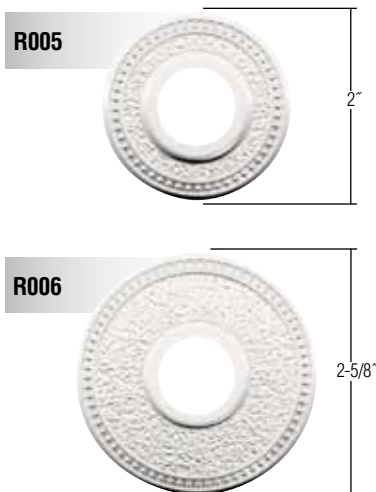
Item #	Description	Wt.	030, 031 033, 034, 040 050, 060, 102 112, 150, 151 190, 260, 264			003, 055 056, 402 412, 452	
R001.xxx.PS	2" Passage – pair						
R001.xxx.FD	2" Dummy – pair	.5	\$90			\$100	
R001.xxx.PV	2" Privacy – pair						
R001.xxx.IPS	2" Passage – half pair						
R001.xxx.IDM	2" Dummy – half pair	.3	45			50	
R001.xxx.IPV	2" Privacy – half pair						
R002.xxx.PS	2 5/8" Passage – pair						
R002.xxx.FD	2 5/8" Dummy – pair	.5	90			100	
R002.xxx.PV	2 5/8" Privacy – pair						
R002.xxx.IPS	2 5/8" Passage – half pair						
R002.xxx.IDM	2 5/8" Dummy – half pair	.3	45			50	
R002.xxx.IPV	2 5/8" Privacy – half pair						

Rosettes
R003, R004



Item #	Description	Wt.	030, 031 033, 034, 040 050, 060, 102 112, 150, 151 190, 260, 264			003, 055 056, 402 412, 452	
R003.xxx.PS	2" Passage – pair						
R003.xxx.FD	2" Dummy – pair	.5	\$90			\$100	
R003.xxx.PV	2" Privacy – pair						
R003.xxx.IPS	2" Passage – half pair						
R003.xxx.IDM	2" Dummy – half pair	.3	45			50	
R003.xxx.IPV	2" Privacy – half pair						
R004.xxx.PS	2 5/8" Passage – pair						
R004.xxx.FD	2 5/8" Dummy – pair	.5	90			100	
R004.xxx.PV	2 5/8" Privacy – pair						
R004.xxx.IPS	2 5/8" Passage – half pair						
R004.xxx.IDM	2 5/8" Dummy – half pair	.3	45			50	
R004.xxx.IPV	2 5/8" Privacy – half pair						

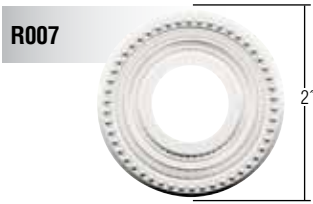
Rosettes
R005, R006



Item #	Description	Wt.	030, 031 033, 034, 040 050, 060, 102 112, 150, 151 190, 260, 264			003, 055 056, 402 412, 452	
R005.xxx.PS	2" Passage – pair						
R005.xxx.FD	2" Dummy – pair	.5	\$90			\$100	
R005.xxx.PV	2" Privacy – pair						
R005.xxx.IPS	2" Passage – half pair						
R005.xxx.IDM	2" Dummy – half pair	.3	45			50	
R005.xxx.IPV	2" Privacy – half pair						
R006.xxx.PS	2 5/8" Passage – pair						
R006.xxx.FD	2 5/8" Dummy – pair	.5	90			100	
R006.xxx.PV	2 5/8" Privacy – pair						
R006.xxx.IPS	2 5/8" Passage – half pair						
R006.xxx.IDM	2 5/8" Dummy – half pair	.3	45			50	
R006.xxx.IPV	2 5/8" Privacy – half pair						

ROSETTES SOLID BRASS

Rosettes R007, R008



Item #	Description	Wt.	030, 031 033, 034, 040 050, 060, 102 112, 150, 151 190, 260, 264			003, 055 056, 402 412, 452
R007.xxx.PS	2" Passage – pair					
R007.xxx.FD	2" Dummy – pair	.5	\$90		\$100	
R007.xxx.PV	2" Privacy – pair					
R007.xxx.IPS	2" Passage – half pair					
R007.xxx.IDM	2" Dummy – half pair	.3	45		50	
R007.xxx.IPV	2" Privacy – half pair					
R008.xxx.PS	2 5/8" Passage – pair					
R008.xxx.FD	2 5/8" Dummy – pair	.5	90		100	
R008.xxx.PV	2 5/8" Privacy – pair					
R008.xxx.IPS	2 5/8" Passage – half pair					
R008.xxx.IDM	2 5/8" Dummy – half pair	.3	45		50	
R008.xxx.IPV	2 5/8" Privacy – half pair					

Rosettes R009, R010



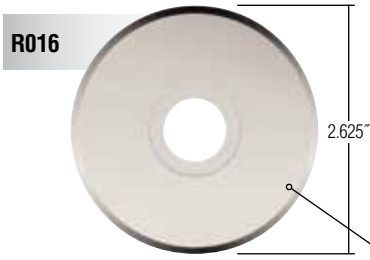
Item #	Description	Wt.	030, 031 033, 034, 040 050, 060, 102 112, 150, 151 190, 260, 264			003, 055 056, 402 412, 452
R009.xxx.PS	2" Passage – pair					
R009.xxx.FD	2" Dummy – pair	.5	\$90		\$100	
R009.xxx.PV	2" Privacy – pair					
R009.xxx.IPS	2" Passage – half pair					
R009.xxx.IDM	2" Dummy – half pair	.3	45		50	
R009.xxx.IPV	2" Privacy – half pair					
R010.xxx.PS	2 5/8" Passage – pair					
R010.xxx.FD	2 5/8" Dummy – pair	.5	50		100	
R010.xxx.PV	2 5/8" Privacy – pair					
R010.xxx.IPS	2 5/8" Passage – half pair					
R010.xxx.IDM	2 5/8" Dummy – half pair	.3	45		50	
R010.xxx.IPV	2 5/8" Privacy – half pair					

Rosettes R011, R012



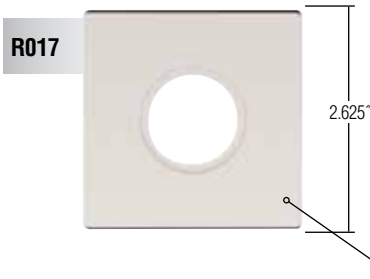
Item #	Description	Wt.	030, 031 033, 034, 040 050, 060, 102 112, 150, 151 190, 260, 264			003, 055 056, 402 412, 452
R011.xxx.PS	2" Passage – pair					
R011.xxx.FD	2" Dummy – pair	.5	\$90		\$100	
R011.xxx.PV	2" Privacy – pair					
R011.xxx.IPS	2" Passage – half pair					
R011.xxx.IDM	2" Dummy – half pair	.3	45		50	
R011.xxx.IPV	2" Privacy – half pair					
R012.xxx.PS	2 5/8" Passage – pair					
R012.xxx.FD	2 5/8" Dummy – pair	.5	90		100	
R012.xxx.PV	2 5/8" Privacy – pair					
R012.xxx.IPS	2 5/8" Passage – half pair					
R012.xxx.IDM	2 5/8" Dummy – half pair	.3	45		50	
R012.xxx.IPV	2 5/8" Privacy – half pair					

Rosettes R016



Item #	Description	Wt.	030, 031		003, 055
			033, 034, 040	050, 060, 102	
			112, 150, 151	190, 260, 264	056, 402
R016.xxx.PS	2.625" Passage – pair	.8		\$44	\$54
R016.xxx.FD	2.625" Dummy – pair				
R016.xxx.IPS	2.625" Passage – half pair	.4	22		27
R016.xxx.IDM	2.625" Dummy – half pair				
R016.xxx.PV	2.625" Privacy – pair	.8	44		54
R016.xxx.IPV	2.625" Privacy – half pair	.4	22		27

Rosettes R017



Item #	Description	Wt.	030, 031		003, 055
			033, 034, 040	050, 060, 102	
			112, 150, 151	190, 260, 264	056, 402
R017.xxx.PS	2.625" Passage – pair	.8		\$44	\$54
R017.xxx.FD	2.625" Dummy – pair				
R017.xxx.IPS	2.625" Passage – half pair	.4	22		27
R017.xxx.IDM	2.625" Dummy – half pair				
R017.xxx.PV	2.625" Privacy – pair	.8	44		54
R017.xxx.IPV	2.625" Privacy – half pair	.4	22		27

Rosettes R018



Item #	Description	Wt.	030, 031		003, 055
			033, 034, 040	050, 060, 102	
			112, 150, 151	190, 260, 264	056, 402
R018.xxx.PS	1.75" Passage – pair	.3		\$36	\$46
R018.xxx.FD	1.75" Dummy – pair				
R018.xxx.IPS	1.75" Passage – half pair	.15	18		23
R018.xxx.IDM	1.75" Dummy – half pair				

Tahoe R025



Item #	Description	Wt.	030, 031		003, 055
			033, 034, 040	050, 060, 102	
			112, 150, 151	190, 260, 264	056, 402
R025.xxx.PS	3.587" Tahoe Passage - pair	.8		\$44	\$54
R025.xxx.FD	3.587" Tahoe Dummy - pair				
R025.xxx.IPS	3.587" Tahoe Passage - half pair	.4	22		27
R025.xxx.IDM	3.587" Tahoe Dummy - half pair				
R025.xxx.PV	3.587" Tahoe Privacy - pair	.8	44		54
R025.xxx.RPV (LPV)	3.587" Tahoe Privacy - half pair	.4	22		27

Soho R026

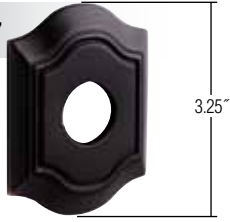


Item #	Description	Wt.	030, 031		003, 055
			033, 034, 040	050, 060, 102	
			112, 150, 151	190, 260, 264	056, 402
R026.xxx.PS	3" Soho Passage - pair	.8		\$44	\$54
R026.xxx.FD	3" Soho Dummy - pair				
R026.xxx.IPS	3" Soho Passage - half pair	.4	22		27
R026.xxx.IDM	3" Soho Dummy - half pair				
R026.xxx.PV	3" Soho Privacy - pair	.8	44		54
R026.xxx.IPV	3" Soho Privacy - half pair	.4	22		27

ROSETTES SOLID BRASS

Bethpage R027, R028, R029

R027



3.25"

R028



5.65"

R029



10.14"

Item #	Description	030, 031	
		033, 034, 040 050, 060, 102 112, 150, 151 190, 260, 264	003, 055 056, 402 412, 452
R027.xxx.PS	3.25" Bethpage Passage - pair		
R027.xxx.FD	3.25" Bethpage Dummy - pair	\$44	\$54
R027.xxx.IPS	3.25" Bethpage Passage - half pair		
R027.xxx.IDM	3.25" Bethpage Dummy - half pair	22	27
R027.xxx.PV	3.25" Bethpage Privacy - pair	44	54
R027.xxx.IPV	3.25" Bethpage Privacy - half pair	22	27
R028.xxx.PS	5.65" Bethpage Passage - pair		
R028.xxx.FD	5.65" Bethpage Dummy - pair	90	100
R028.xxx.IPS	5.65" Bethpage Passage - half pair		
R028.xxx.IDM	5.65" Bethpage Dummy - half pair	45	50
R028.xxx.PV	5.65" Bethpage Privacy - pair	90	100
R028.xxx.RPV (LPV)	5.65" Bethpage Privacy - half pair	45	50
R029.xxx.PS	10.14" Bethpage Passage - pair		
R029.xxx.FD	10.14" Bethpage Dummy - pair	180	200
R029.xxx.IPS	10.14" Bethpage Passage - half pair		
R029.xxx.IDM	10.14" Bethpage Dummy - half pair	90	100
R029.xxx.PV	10.14" Bethpage Privacy - pair	180	200
R029.xxx.RPV (LPV)	10.14" Bethpage Privacy - half pair	90	100
R029.xxx.ENTR	10.14" Bethpage Entry Kit - pair	325	345

*Entry Kits: Not sold in 030 Finish. Must order knob/lever latch separately with desired style.
Support 1 3/8 to 1 3/4 doors.

Arch R030, R031, R032

R030



3.95"

R031



5.9"

R032



10.53"

Item #	Description	030, 031	
		033, 034, 040 050, 060, 102 112, 150, 151 190, 260, 264	003, 055 056, 402 412, 452
R030.xxx.PS	3.95" Arch Passage - pair		
R030.xxx.FD	3.95" Arch Dummy - pair	\$44	\$54
R030.xxx.IPS	3.95" Arch Passage - half pair		
R030.xxx.IDM	3.95" Arch Dummy - half pair	22	27
R030.xxx.PV	3.95" Arch Privacy - pair	44	54
R030.xxx.IPV	3.95" Arch Privacy - half pair	22	27
R031.xxx.PS	5.9" Arch Passage - pair		
R031.xxx.FD	5.9" Arch Dummy - pair	90	100
R031.xxx.IPS	5.9" Arch Passage - half pair		
R031.xxx.IDM	5.9" Arch Dummy - half pair	45	50
R031.xxx.PV	5.9" Arch Privacy - pair	90	100
R031.xxx.RPV (LPV)	5.9" Arch Privacy - half pair	45	50
R032.xxx.PS	10.53" Arch Passage - pair		
R032.xxx.FD	10.53" Arch Dummy - pair	180	200
R032.xxx.IPS	10.53" Arch Passage - half pair		
R032.xxx.IDM	10.53" Arch Dummy - half pair	90	100
R032.xxx.PV	10.53" Arch Privacy - pair	180	200
R032.xxx.RPV (LPV)	10.53" Arch Privacy - half pair	90	100
R032.xxx.ENTR	10.53" Arch Entry Kit - pair	325	345

*Entry Kits: Not sold in 030 Finish. Must order knob/lever latch separately with desired style.
Support 1 3/8 to 1 3/4 doors.

Square R033, R034, R035

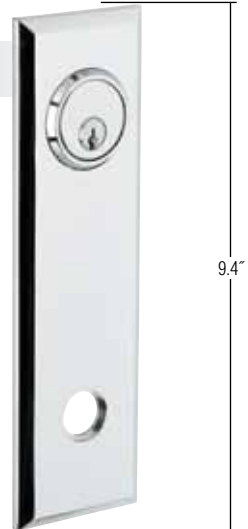
R033



R034



R035



Item #	Description	030, 031	
		033, 034, 040 050, 060, 102 112, 150, 151 190, 260, 264	003, 055 056, 402 412, 452
R033.xxx.PS	3.225" Square Passage - pair		
R033.xxx.FD	3.225" Square Dummy - pair	\$44	\$54
R033.xxx.IPS	3.225" Square Passage - half pair		
R033.xxx.IDM	3.225" Square Dummy - half pair	22	27
R033.xxx.PV	3.225" Square Privacy - pair	44	54
R033.xxx.IPV	3.225" Square Privacy - half pair	22	27
R034.xxx.PS	5.25" Square Passage - pair		
R034.xxx.FD	5.25" Square Dummy - pair	90	100
R034.xxx.IPS	5.25" Square Passage - half pair		
R034.xxx.IDM	5.25" Square Dummy - half pair	45	50
R034.xxx.PV	5.25" Square Privacy - pair	90	100
R034.xxx.RPV (LPV)	5.25" Square Privacy - half pair	45	50
R035.xxx.PS	9.4" Square Passage - pair		
R035.xxx.FD	9.4" Square Dummy - pair	180	200
R035.xxx.IPS	9.4" Square Passage - half pair		
R035.xxx.IDM	9.4" Square Dummy - half pair	90	100
R035.xxx.PV	9.4" Square Privacy - pair	180	200
R035.xxx.RPV (LPV)	9.4" Square Privacy - half pair	90	100
R035.xxx.ENTR	9.4" Square Entry Kit - pair	325	345

Entry Kits: Not sold in 030 Finish. Must order knob/lever latch separately with desired style.
Support 1 3/8 to 1 3/4 doors.

Square Rope R036, R037, R038

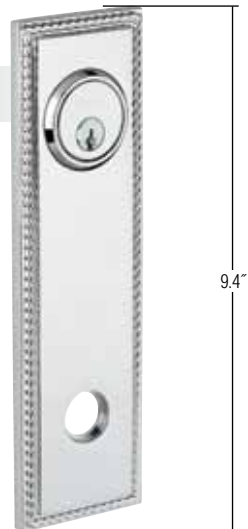
R036



R037



R038



Item #	Description	030, 031	
		033, 034, 040 050, 060, 102 112, 150, 151 190, 260, 264	003, 055 056, 402 412, 452
R036.xxx.PS	3.225" Square Rope Passage - pair		
R036.xxx.FD	3.225" Square Rope Dummy - pair	\$44	\$54
R036.xxx.IPS	3.225" Square Rope Passage - half pair		
R036.xxx.IDM	3.225" Square Rope Dummy - half pair	22	27
R036.xxx.PV	3.225" Square Rope Privacy - pair	44	54
R036.xxx.IPV	3.225" Square Rope Privacy - half pair	22	27
R037.xxx.PS	5.25" Square Rope Passage - pair		
R037.xxx.FD	5.25" Square Rope Dummy - pair	90	100
R037.xxx.IPS	5.25" Square Rope Passage - half pair		
R037.xxx.IDM	5.25" Square Rope Dummy - half pair	45	50
R037.xxx.PV	5.25" Square Rope Privacy - pair	90	100
R037.xxx.RPV (LPV)	5.25" Square Rope Privacy - half pair	45	50
R038.xxx.PS	9.4" Square Rope Passage - pair		
R038.xxx.FD	9.4" Square Rope Dummy - pair	180	200
R038.xxx.IPS	9.4" Square Rope Passage - half pair		
R038.xxx.IDM	9.4" Square Rope Dummy - half pair	90	100
R038.xxx.PV	9.4" Square Rope Privacy - pair	180	200
R038.xxx.RPV (LPV)	9.4" Square Rope Privacy - half pair	90	100
R038.xxx.ENTR	9.4" Square Rope Entry Kit - pair	325	345

*Entry Kits: Not sold in 030 Finish. Must order knob/lever latch separately with desired style.
Support 1 3/8 to 1 3/4 doors.

ROSETTES SOLID BRASS

Oval R039, R040, R041

R039



3.8"

R040



5.8"

R041



10.75"

030, 031
033, 034, 040
050, 060, 102
112, 150, 151
190, 260, 264

003, 055
056, 402
412, 452

Item #	Description		
R039.xxx.PS	3.8" Oval Passage - pair		
R039.xxx.FD	3.8" Oval Dummy - pair	\$44	\$54
R039.xxx.IPS	3.8" Oval Passage - half pair		
R039.xxx.IDM	3.8" Oval Dummy - half pair	22	27
R039.xxx.PV	3.8" Oval Privacy - pair	44	54
R039.xxx.IPV	3.8" Oval Privacy - half pair	22	27
R040.xxx.PS	5.8" Oval Passage - pair		
R040.xxx.FD	5.8" Oval Dummy - pair	90	100
R040.xxx.IPS	5.8" Oval Passage - half pair		
R040.xxx.IDM	5.8" Oval Dummy - half pair	45	50
R040.xxx.PV	5.8" Oval Privacy - pair	90	100
R040.xxx.RPV (LPV)	5.8" Oval Privacy - half pair	45	50
R041.xxx.PS	10.75" Oval Passage - pair		
R041.xxx.FD	10.75" Oval Dummy - pair	180	200
R041.xxx.IPS	10.75" Oval Passage - half pair		
R041.xxx.IDM	10.75" Oval Dummy - half pair	90	100
R041.xxx.PV	10.75" Oval Privacy - pair	180	200
R041.xxx.RPV (LPV)	10.75" Oval Privacy - half pair	90	100
R041.xxx.ENTR	10.75" Oval Entry Kit - pair	325	345

*Entry Kits: Not sold in 030 Finish. Must order knob/lever latch separately with desired style.
Support 1 3/8 to 1 3/4 doors.

Oval Rope R042, R043, R044

R042



3.95"

R043



5.9"

R044



10.53"

030, 031
033, 034, 040
050, 060, 102
112, 150, 151
190, 260, 264

003, 402
412, 452

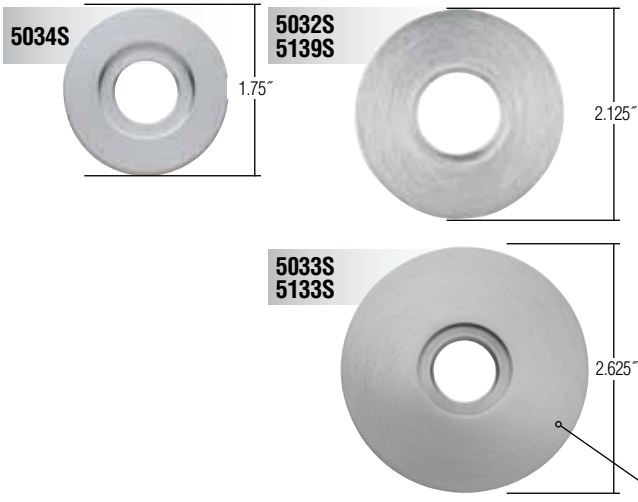
Item #	Description		
R042.xxx.PS	3.8" Oval Rope Passage - pair		
R042.xxx.FD	3.8" Oval Rope Dummy - pair	\$44	\$54
R042.xxx.IPS	3.8" Oval Rope Passage - half pair		
R042.xxx.IDM	3.8" Oval Rope Dummy - half pair	22	27
R042.xxx.PV	3.8" Oval Rope Privacy - pair	44	54
R042.xxx.IPV	3.8" Oval Rope Privacy - half pair	22	27
R043.xxx.PS	5.8" Oval Rope Passage - pair		
R043.xxx.FD	5.8" Oval Rope Dummy - pair	90	100
R043.xxx.IPS	5.8" Oval Rope Passage - half pair		
R043.xxx.IDM	5.8" Oval Rope Dummy - half pair	45	50
R043.xxx.PV	5.8" Oval Rope Privacy - pair	90	100
R043.xxx.RPV (LPV)	5.8" Oval Rope Privacy - half pair	45	50
R044.xxx.PS	10.75" Oval Rope Passage - pair		
R044.xxx.FD	10.75" Oval Rope Dummy - pair	180	200
R044.xxx.IPS	10.75" Oval Rope Passage - half pair		
R044.xxx.IDM	10.75" Oval Rope Dummy - half pair	90	100
R044.xxx.PV	10.75" Oval Rope Privacy - pair	180	200
R044.xxx.RPV (LPV)	10.75" Oval Rope Privacy - half pair	90	100
R044.xxx.ENTR	10.75" Oval Rope Entry Kit - pair	325	345

*Entry Kits: Not sold in 030 Finish. Must order knob/lever latch separately with desired style.
Support 1 3/8 to 1 3/4 doors.

ROSETTES | PRE-CONFIGURED SETS

KNOBS

Rosettes – STAINLESS STEEL 5034S, 5032S, 5139S, 5033S, 5133S

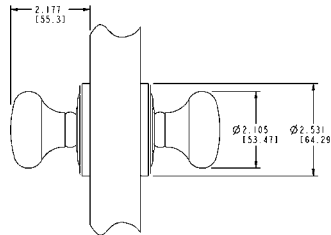


Item #	Description	Wt.	320, 324
5034S.xxx	1.75" Passage – pair		
5034S.xxx.FD	1.75" Dummy – pair	.3	\$36
5034S.xxx.I	1.75" Passage – half pair		
5034S.xxx.IDM	1.75" Dummy – half pair	.15	18
5032S.xxx	2.125" Passage – pair	.4	44
5032S.xxx.FD	2.125" Dummy – pair	.2	22
5032S.xxx.I	2.125" Passage – half pair		
5032S.xxx.IDM	2.125" Dummy – half pair		
5139S.xxx	2.125" Privacy – pair	.4	44
5139S.xxx.I	2.125" Privacy – half pair	.2	22
5033S.xxx	2.625" Passage – pair	.8	44
5033S.xxx.FD	2.625" Dummy – pair	.4	22
5033S.xxx.I	2.625" Passage – half pair		
5033S.xxx.IDM	2.625" Dummy – half pair		
5133S.xxx	2.625" Privacy – pair	.8	44
5133S.xxx.I	2.625" Privacy – half pair	.4	22

Note: 320 & 324 is not available as rust proof

KNOBS PRE-CONFIGURED SETS

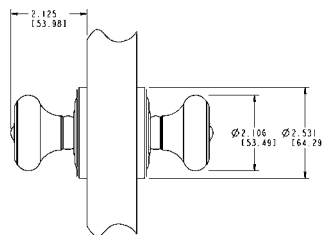
5015 Classic Knob w/ 5048 Rose Passage, Privacy & Dummy



Item #	Description	Wt.	030, 102, 112, 150, 260	003, 055, 402, 412, 452
5015.xxx.FD	Full Dummy	1.9	\$120	\$150
5015.xxx.IDM	Half Dummy	1.0	75	90
5015.xxx.PASS	Passage: 2 3/8" backset	2.5	150	180
5015.xxx.PRIV	Privacy: 2 3/8" backset			

Other finishes and roses available a la carte.

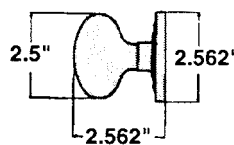
5020 Colonial Knob w/ 5048 Rose Passage, Privacy & Dummy



Item #	Description	Wt.	030, 102, 112, 150	003
5020.xxx.FD	Full Dummy	2.0	\$120	\$150
5020.xxx.IDM	Half Dummy	1.0	75	90
5020.xxx.PASS	Passage: 2 3/8" backset	2.6	150	180
5020.xxx.PRIV	Privacy: 2 3/8" backset			

Other finishes and roses available a la carte.

5025 Egg Knob w/ 5048 Rose Passage, Privacy & Dummy



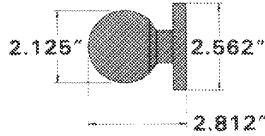
Item #	Description	Wt.	030, 102, 112, 150, 260	003, 055, 402
5025.xxx.FD	Full Dummy	2.8	\$120	\$150
5025.xxx.IDM	Half Dummy	1.6	75	90
5025.xxx.PASS	Passage: 2 3/8" backset	3.4	150	180
5025.xxx.PRIV	Privacy: 2 3/8" backset			

Other finishes and roses available a la carte.

KNOBS & LEVERS PRE-CONFIGURED SETS

5041 Contemporary Knob w/ 5046 Rose

Passage, Privacy & Dummy

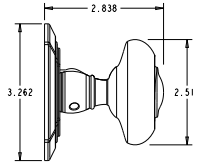


Item #	Description	Wt.	150, 260
5041.xxx.FD	Full Dummy	2.5	\$120
5041.xxx.IDM	Half Dummy	1.3	75
5041.xxx.PASS	Passage: 2 3/8" backset	3.1	150
5041.xxx.PRIV	Privacy: 2 3/8" backset		

Other finishes and roses available a la carte.

5077 Bethpage Knob w/ R027 Rose

Passage, Privacy & Dummy

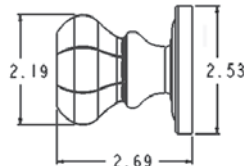


Item #	Description	Wt.	112
5077.xxx.FD	Full Dummy	2.9	\$120
5077.xxx.IDM	Half Dummy	1.5	75
5077.xxx.PASS	Passage: 2 3/8" backset	3.6	150
5077.xxx.PRIV	Privacy: 2 3/8" backset		

Other finishes and roses available a la carte.

5080 Fillmore Knob w/ 5048 Rose

Passage, Privacy & Dummy



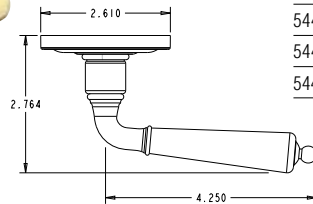
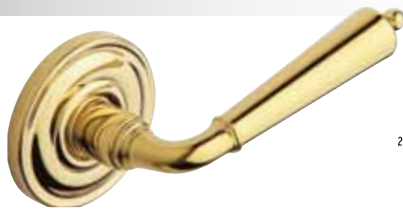
Item #	Description	Wt.	030, 102, 112, 150, 260
5080.xxx.FD	Full Dummy	2.5	\$120
5080.xxx.IDM	Half Dummy	1.3	75
5080.xxx.PASS	Passage: 2 3/8" backset	3.1	150
5080.xxx.PRIV	Privacy: 2 3/8" backset		

Other finishes and roses available a la carte.

LEVERS PRE-CONFIGURED SETS

5440V Colonial Lever w/ 5048 Rose

Passage, Privacy & Dummy

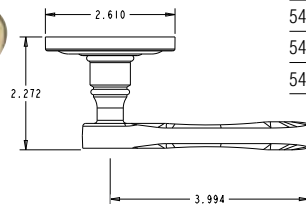


Item #	Description	Wt.	150
5440V.xxx.FD	Full Dummy	1.6	\$120
5440V.xxx.RDM	RIGHT Hand Half Dummy	1.1	60
5440V.xxx.LDM	LEFT Hand Half Dummy		
5440V.xxx.PASS	Passage: 2 3/8" backset	2.3	150
5440V.xxx.PRIV	Privacy: 2 3/8" backset		

Other finishes and roses available a la carte.

5445V Classic Lever w/ 5048 Rose

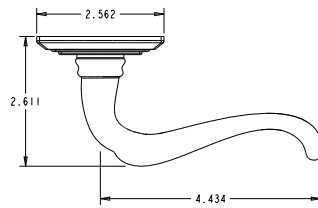
Passage, Privacy & Dummy



Item #	Description	Wt.	030, 102, 112, 150	003
5445V.xxx.FD	Full Dummy	1.5	\$120	\$150
5445V.xxx.RDM	RIGHT Hand Half Dummy	1.1	60	75
5445V.xxx.LDM	LEFT Hand Half Dummy			
5445V.xxx.PASS	Passage: 2 3/8" backset	2.1	150	180
5445V.xxx.PRIV	Privacy: 2 3/8" backset			

Other finishes and roses available a la carte.

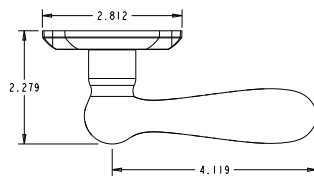
5447V Bethpage Lever w/ R027 Rose
Passage, Privacy & Dummy



Item #	Description	Wt.	112
5447V.xxx.FD	Full Dummy	2.0	\$120
5447V.xxx.RDM	RIGHT Hand Half Dummy	1.0	60
5447V.xxx.LDM	LEFT Hand Half Dummy		
5447V.xxx.PASS	Passage: 2 3/8" backset	2.5	150
5447V.xxx.PRIV	Privacy: 2 3/8" backset		

Other finishes and roses available a la carte.

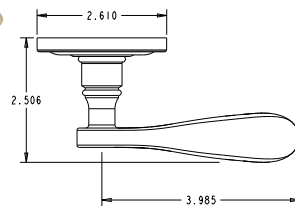
5452V Beavertail Lever w/ R030 Rose
Passage, Privacy & Dummy



Item #	Description	Wt.	102, 112	402, 412
5452V.xxx.FD	Full Dummy	2.4	\$120	\$150
5452V.xxx.RDM	RIGHT Hand Half Dummy	1.1	60	75
5452V.xxx.LDM	LEFT Hand Half Dummy			
5452V.xxx.PASS	Passage: 2 3/8" backset	2.9	150	180
5452V.xxx.PRIV	Privacy: 2 3/8" backset			

Other finishes and roses available a la carte.

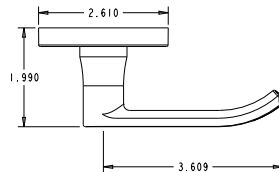
5455V Wave Lever w/ 5048 Rose
Passage, Privacy & Dummy



Item #	Description	Wt.	030, 050, 102, 112, 150, 151, 260	003, 056 402, 412
5455.xxx.FD	Full Dummy	1.5	\$120	\$150
5455.xxx.RDM	RIGHT Hand Half Dummy	0.8	60	75
5455.xxx.LDM	LEFT Hand Half Dummy			
5455.xxx.PASS	Passage: 2 3/8" backset	2.1	150	180
5455.xxx.PRIV	Privacy: 2 3/8" backset			

Other finishes and roses available a la carte.

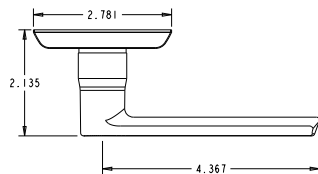
5460V Contemporary Lever w/ Contemporary Rose
Passage, Privacy & Dummy



Item #	Description	Wt.	150, 260
5460.xxx.FD	Full Dummy	1.9	\$120
5460.xxx.RDM	RIGHT Hand Half Dummy	1.1	60
5460.xxx.LDM	LEFT Hand Half Dummy		
5460.xxx.PASS	Passage: 2 3/8" backset	2.4	150
5460.xxx.PRIV	Privacy: 2 3/8" backset		

Other finishes and roses available a la carte.

5485V Soho Lever w/ R026 Rose
Passage, Privacy & Dummy

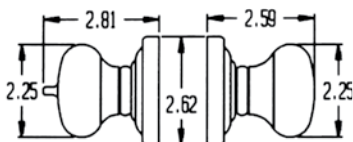


Item #	Description	Wt.	102, 150	056
5485.xxx.FD	Full Dummy	1.8	\$120	\$150
5485.xxx.RDM	RIGHT Hand Half Dummy	1.0	60	75
5485.xxx.LDM	LEFT Hand Half Dummy			
5485.xxx.PASS	Passage: 2 3/8" backset	2.3	150	180
5485.xxx.PRIV	Privacy: 2 3/8" backset			

Other finishes and roses available a la carte.

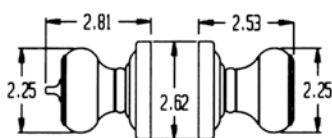
KNOBS TUBULAR KEYED ENTRY

Classic Knob w/ Classic Rose



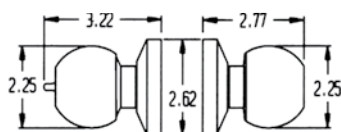
Item #	Description	Wt.	031, 033 034, 040		003, 055 056, 402 412, 452
			050, 060, 102 112, 150, 151 190, 260, 264		
5205.xxx.ENTR	Emergency Exit	3.1	\$220	\$250	
5206.xxx.ENTR	Emergency Exit: 1 7/8" to 2 1/4" doors				
5205.xxx.FD	Full Dummy	1.9	190	220	
5206.xxx.FD	Full Dummy: 1 7/8" to 2 1/4" doors				
5208.xxx.ENTR	Standard	3.1	220	250	
5209.xxx.ENTR	Standard: 1 7/8" to 2 1/4" doors				

Colonial Knob w/ Classic Rose



Item #	Description	Wt.	031, 033 034, 040		003, 055 056, 402 412, 452
			050, 060, 102 112, 150, 151 190, 260, 264		
5210.xxx.ENTR	Emergency Exit	3.1	\$220	\$250	
5211.xxx.ENTR	Emergency Exit: 1 7/8" to 2 1/4" doors				
5210.xxx.FD	Full Dummy	2.1	190	220	
5211.xxx.FD	Full Dummy: 1 7/8" to 2 1/4" doors				
5213.xxx.ENTR	Standard	3.1	220	250	
5214.xxx.ENTR	Standard: 1 7/8" to 2 1/4" doors				

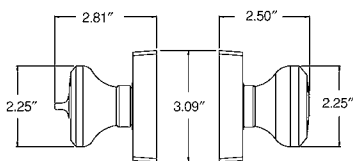
Contemporary Knob w/ Contemporary Rose



5 pin standard
6 pin capability

Item #	Description	Wt.	031, 033 034, 040		003, 055 056, 402 412, 452
			050, 060, 102 112, 150, 151 190, 260, 264		
5215.xxx.ENTR	Emergency Exit	3.4	\$220	\$250	
5216.xxx.ENTR	Emergency Exit: 1 7/8" to 2 1/4" doors				
5215.xxx.FD	Full Dummy	2.5	190	220	
5216.xxx.FD	Full Dummy: 1 7/8" to 2 1/4" doors				
5218.xxx.ENTR	Standard	3.4	220	250	
5219.xxx.ENTR	Standard: 1 7/8" to 2 1/4" doors				

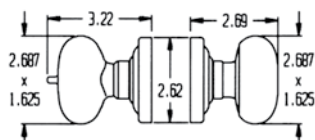
Tahoe Knob w/ Tahoe Rose



5 pin standard
6 pin capability

Item #	Description	Wt.	031, 033 034, 040		003, 055 056, 402 412, 452
			050, 060, 102 112, 150, 151 190, 260, 264		
5220.xxx.ENTR	Emergency Exit	4.2	\$220	\$250	
5221.xxx.ENTR	Emergency Exit: 1 7/8" to 2 1/4" doors				
5220.xxx.FD	Full Dummy	3.9	190	220	
5221.xxx.FD	Full Dummy: 1 7/8" to 2 1/4" doors				
5223.xxx.ENTR	Standard	4.2	220	250	
5224.xxx.ENTR	Standard: 1 7/8" to 2 1/4" doors				

Egg Knob w/ Classic Rose



5 pin standard
6 pin capability

Item #	Description	Wt.	031, 033 034, 040		003, 055 056, 402 412, 452
			050, 060, 102 112, 150, 151 190, 260, 264		
5225.xxx.ENTR	Emergency Exit	3.6	\$220	\$250	
5226.xxx.ENTR	Emergency Exit: 1 7/8" to 2 1/4" doors				
5225.xxx.FD	Full Dummy	3.0	190	220	
5226.xxx.FD	Full Dummy: 1 7/8" to 2 1/4" doors				
5228.xxx.ENTR	Standard	3.6	220	250	
5229.xxx.ENTR	Standard: 1 7/8" to 2 1/4" doors				

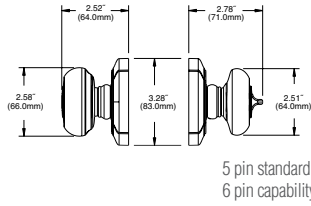
Emergency Exit: The Knob or lever will retract the bolt while the exterior remains locked.

Standard Exit: The knob or lever must be unlocked prior to exit.

BALDWIN

KNOBS & LEVERS TUBULAR KEYED ENTRY

Bethpage Knob

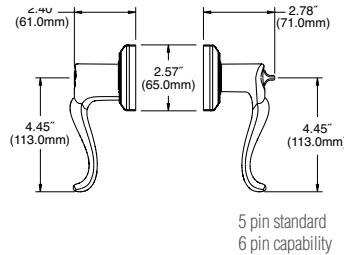


031, 033
034, 040
050, 060, 102 **003, 055**
112, 150, 151 **056, 402**
190, 260, 264 **412, 452**

Item #	Description	Wt.		
5237.xxx.ENTR	Emergency Exit	3.6	\$220	\$250
5238.xxx.ENTR	Emergency Exit: 1 7/8" to 2 1/4" doors			
5237.xxx.FD	Full Dummy	3.0	190	220
5238.xxx.FD	Full Dummy: 1 7/8" to 2 1/4" doors			
5239.xxx.ENTR	Standard	3.6	220	250
5241.xxx.ENTR	Standard: 1 7/8" to 2 1/4" doors	3.0		

LEVERS TUBULAR KEYED ENTRY

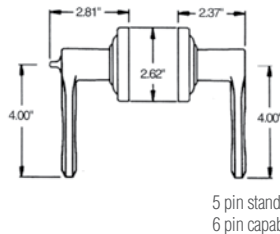
Bethpage Lever w/ Bethpage Rose



031, 033
034, 040
050, 060, 102 **003, 055**
112, 150, 151 **056, 402**
190, 260, 264 **412, 452**

Item #	Description	Wt.		
5237.xxx.RENT	RIGHT Hand Emergency Exit	3.9		
5237.xxx.LENT	LEFT Hand Emergency Exit			
5238.xxx.RENT	RIGHT Hand Emergency Exit: 1 7/8" to 2 1/4" doors		\$220	\$250
5238.xxx.LENT	LEFT Hand Emergency Exit: 1 7/8" to 2 1/4" doors	3.5		
5237.xxx.LRFD	Full Dummy	3.0	190	220
5238.xxx.LRFD	Full Dummy: 1 7/8" to 2 1/4" doors			
5239.xxx.RENT	RIGHT Hand Standard	3.9		
5239.xxx.LENT	LEFT Hand Standard			
5241.xxx.RENT	RIGHT Hand Standard: 1 7/8" to 2 1/4" doors		220	250
5241.xxx.LENT	LEFT Hand Standard: 1 7/8" to 2 1/4" doors	3.5		

Classic Lever w/ Classic Rose



031, 033
034, 040
050, 060, 102 **003, 055**
112, 150, 151 **056, 402**
190, 260, 264 **412, 452**

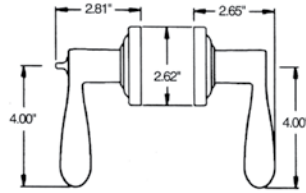
Item #	Description	Wt.		
5245.xxx.RENT	RIGHT Hand Emergency Exit	2.2		
5245.xxx.LENT	LEFT Hand Emergency Exit			
5246.xxx.RENT	RIGHT Hand Emergency Exit: 1 7/8" to 2 1/4" doors		\$220	\$250
5246.xxx.LENT	LEFT Hand Emergency Exit: 1 7/8" to 2 1/4" doors	2.2		
5245.xxx.FD	Full Dummy	2.0	190	220
5246.xxx.FD	Full Dummy: 1 7/8" to 2 1/4" doors			
5248.xxx.RENT	RIGHT Hand Standard	2.2		
5248.xxx.LENT	LEFT Hand Standard	2.0		
5249.xxx.RENT	RIGHT Hand Standard: 1 7/8" to 2 1/4" doors		220	250
5249.xxx.LENT	LEFT Hand Standard: 1 7/8" to 2 1/4" doors	2.2		

Emergency Exit: The Knob or lever will retract the bolt while the exterior remains locked.
Standard Exit: The knob or lever must be unlocked prior to exit.

LEVERS | INTERIOR & ENTRANCE HARDWARE

TUBULAR KEYED ENTRY LATCHES

Wave Lever w/ Classic Rose

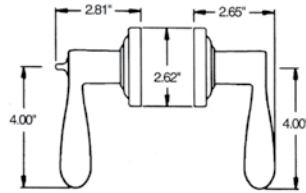


5 pin standard
6 pin capability

Item #	Description	Wt.	031, 033 034, 040 050, 060, 102 112, 150, 151 190, 260, 264	003, 055 056, 402 412, 452
5255.xxx.RENT	RIGHT Hand Emergency Exit			
5255.xxx.LENT	LEFT Hand Emergency Exit			
5256.xxx.RENT	RIGHT Hand Emergency Exit: 1 7/8" to 2 1/4" doors	2.8	\$220	\$250
5256.xxx.LENT	LEFT Hand Emergency Exit: 1 7/8" to 2 1/4" doors			
5255.xxx.FD	Full Dummy	2.0	160	220
5256.xxx.FD	Full Dummy: 1 7/8" to 2 1/4" doors			
5258.xxx.RENT	RIGHT Hand Standard	2.8		
5258.xxx.LENT	LEFT Hand Standard			
5259.xxx.RENT	RIGHT Hand Standard: 1 7/8" to 2 1/4" doors		220	250
5259.xxx.LENT	LEFT Hand Standard: 1 7/8" to 2 1/4" doors	2.8		

Tahoe Lever

shown w/ R025 Tahoe Rose



5 pin standard
6 pin capability

Item #	Description	Wt.	031, 033 034, 040 050, 060, 102 112, 150, 151 190, 260, 264	003, 055 056, 402 412, 452
5265.xxx.RENT	RIGHT Hand Emergency Exit	3.9	\$220	\$250
5265.xxx.LENT	LEFT Hand Emergency Exit			
5265.xxx.LRFD	Full Dummy	2.0	190	220
5266.xxx.RENT	RIGHT Hand Emergency Exit: 1 7/8" to 2 1/4" doors			
5266.xxx.LENT	LEFT Hand Emergency Exit: 1 7/8" to 2 1/4" doors	3.9	220	250
5266.xxx.LRFD	Full Dummy: 1 7/8" to 2 1/4" doors	2.0	190	220
5268.xxx.RENT	RIGHT Hand Standard			
5268.xxx.LENT	LEFT Hand Standard			
5269.xxx.RENT	RIGHT Hand Standard: 1 7/8" to 2 1/4" doors	3.9	220	250
5269.xxx.LENT	LEFT Hand Standard: 1 7/8" to 2 1/4" doors			

INTERIOR & ENTRANCE HARDWARE LATCHES

5210.xxx – Universal deadlocking latch bolt for Keyed Entry Lockset

(Replaces 5200.xxx latch)

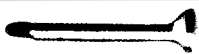


Item No.	Adjustable Backset	Front Length	Front Width	Description
5210.xxx	2.375" (60mm) 2.75" (70mm)	2.25" (57mm)	1" (25mm)	Deadlocking Latch Bolt

FEATURES: Latch bolts have a .5" throw, are reversible and can be used on beveled doors. Latches are supplied with 1" (25mm) face plates.

PACKED: One per box with strike, fasteners and template

5510 & 5513.xxx.0030 – Privacy Button



Item #	Description		
5510.xxx.0030	Privacy Button – All Knob-Strength latches	\$10	\$15
5513.xxx.0030	Privacy Button – All Lever-Strength latches		

Furnished with all privacy tubular latch sets (latches ordered .P)

5510 is 1.16" long & **5513** is 1.34" long

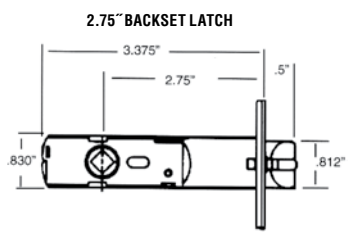
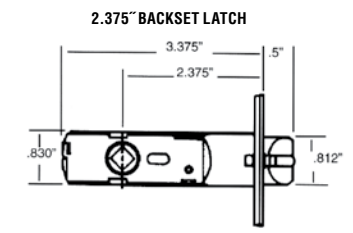
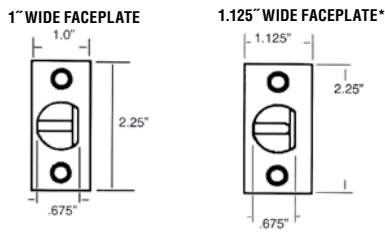
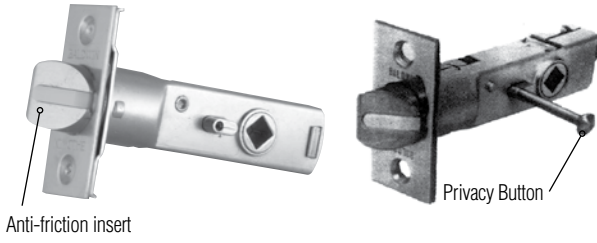
5199.000 – Privacy Button Extender



Item #	Description		
5199.000	Privacy Button Extender	\$5	—

Use to extend length of privacy button in applications where hardware is installed on doors over 1.75" thick and/or with escutcheon plates thicker than .25"

Passage & Privacy Latches



Passage Latches				030, 031, 033, 034 038, 040, 050, 060 102, 112, 150, 151 152, 190, 260, 264	003 055 056
Item #	Description	Backset	Faceplate		
5510.xxx (ASA, .FLS)	Knob-Strength Passage latch	2.375"	1" w		
5512.xxx* (ASA)	Knob-Strength Passage latch	2.375"	1.125" w		
5513.xxx (ASA, .FLS)	Lever-Strength Passage latch	2.375"	1" w		
5515.xxx* (ASA)	Lever-Strength Passage latch	2.375"	1.125" w		
5520.xxx (ASA, .FLS)	Knob-Strength Passage latch	2.75"	1" w	\$55	\$60
5522.xxx* (ASA)	Knob-Strength Passage latch	2.75"	1.125" w		
5523.xxx (ASA, .FLS)	Lever-Strength Passage latch	2.75"	1" w		
5525.xxx* (ASA)	Lever-Strength Passage latch	2.75"	1.125" w		

Privacy Latches				Tier 1	Tier 2*
Item #	Description	Backset	Faceplate		
5510.xxx.P (ASA, .FLS)	Knob-Strength Privacy latch	2.375"	1" w		
5512.xxx.P* (ASA)	Knob-Strength Privacy latch	2.375"	1.125" w		
5513.xxx.P (ASA, .FLS)	Lever-Strength Privacy latch	2.375"	1" w		
5515.xxx.P* (ASA)	Lever-Strength Privacy latch	2.375"	1.125" w		
5520.xxx.P (ASA, .FLS)	Knob-Strength Privacy latch	2.75"	1" w	\$55	\$60
5522.xxx.P* (ASA)	Knob-Strength Privacy latch	2.75"	1.125" w		
5523.xxx.P (ASA, .FLS)	Lever-Strength Privacy latch	2.75"	1" w		
5525.xxx.P* (ASA)	Lever-Strength Privacy latch	2.75"	1.125" w		

Latches NOT available in Distressed finishes, non-distressed equivalents 402=102, 412=112, 452=152

*Latches with 1.125" wide faceplate commonly used for commercial applications

Latches available with Standard strike (no suffix), ASA strike (ASA) or Full Lip Strike (FLS)

Example: 5510.xxx = Standard strike
5510.xxx.ASA = ASA strike
5510.xxx.FLS = Full Lip Strike

ALL INTERIOR LATCHES:

- > Hub rotation only 28° for easy turning
- > Non-handed latches (reversible)
- > Fully adjustable fronts for use on beveled doors
- > Bolt head features anti-friction insert for smooth operation
- > Lever-Strength latches manufactured with heavy duty springs
- > Sturdy non-rusting construction throughout
- > Pre-bored doors – up to 1.75" thick doors only

INCLUDED WITH ALL INTERIOR LATCHES:

- > Standard Box Strike (T-Strike)
- > ASA or Full Lip Strike also available at no charge – specify as follows:
5510.xxx.ASA Latch x ASA Strike
5510.xxx.FLS Latch x Full Lip Strike
- > Wood fasteners and template
- > Dust Box – 55100
- > 3.5" spindle*
- > Privacy Button (with Privacy Latches)

NOTE: For doors thicker than 1.75" or use with escutcheon plates, a longer spindle is likely needed. See Spindle Chart on pg 50.

UL LISTED Estate Passage/Privacy



Only select Estate passage and privacy sets have been certified by UL at this time. This is determined by the rose that is used on the particular set, along with the use of the Estate 6502.009 adaptor. Estate roses that meet the UL requirement when used in conjunction with the Estate 6502.009 adaptor are as follows:

ORDERING:

- 1.) Choose your Estate knob or lever pair
- 2.) Choose your Estate passage or privacy rose from the list above
- 3.) Choose your knob or lever latch
- 4.) Add the 6502.009 adaptor
- 5.) Choose the UL kit for Estate passage or privacy sets in the finish that matches your knob or lever latch: U5510.xxx

Note: all components from the passage/privacy kit must be used for UL certification

UL LISTED Estate Passage/Privacy		030, 031, 033, 034, 040, 050, 060, 102, 112, 150, 151, 152, 190, 260, 264	003, 055, 056
Item #	Description		
U5510.xxx	UL Kit for Estate passage or privacy sets	\$20	\$25

Included with each kit:

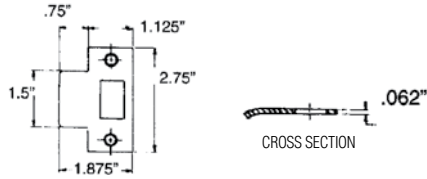
UL latch faceplate, Inside & Outside UL Shield, UL Retaining Ring

5019	5048	5078	5133S	5148
5021	5053	5119	5134	5149
5033S	5058	5123	5142	5153
5042	5059	5126	5145	5158
5046	5070	5127	5146	5159
5047	5076	5129	5147	

INTERIOR & ENTRANCE HARDWARE STRIKES

5510.TSTR – Standard Box Strike (T Strike)

Included with all Passage & Privacy Latches



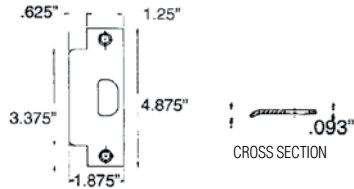
Item #	Description	030, 031, 033	003
		034, 040, 050	055
5510.xxx.TSTR	Standard Box Strike (Included with all Passage & Privacy Latches)	\$15	\$20

LIP TO CENTER DIMENSION (LTC): 1.312" (33mm)

DUST BOX: furnished unattached (55100)

TEMPLATE: metal frames to be prepared in accordance with ANSI standard A115.2

5510.ASTR – ASA strike



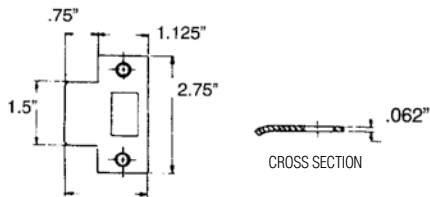
Item #	Description	030, 031, 033	003
		034, 040, 050	055
5510.xxx.ASTR	ASA Strike	\$15	\$20

LTC: 1.25" (32mm)

DUST BOX: not furnished

Template: metal frames to be prepared in accordance with ANSI standard A115.2

5510.E158, .E178, .E214 – Extended T strike



Item #	Description	030, 031, 033	003
		034, 040, 050	055
5510.xxx.E158	Extended Lip Box Strike – 1.625" LTC		
5510.xxx.E178	Extended Lip Box Strike – 1.875" LTC	\$15	\$20
5510.xxx.E214	Extended Lip Box Strike – 2.25" LTC		

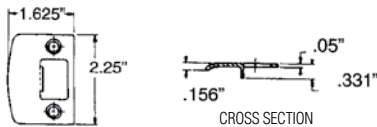
LTC: 5510.xxx.E158 – 1.625" (41mm)

LTC: 5510.xxx.E178 – 1.875" (48mm)

LTC: 5510.xxx.E214 – 2.25" (57mm)

DUST BOX: not furnished (use dust box provides with standard T strike)

5510.FSTR – Full lip strike

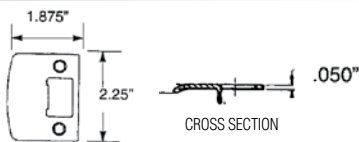


Item #	Description	030, 031, 033	003
		034, 040, 050	055
5510.xxx.FSTR	Full Lip Strike	\$15	\$20

LTC: 1.125" (29mm)

DUST BOX: not available

5300.EFLS – Extended full lip strike (ONLY SIZE AVAILABLE)

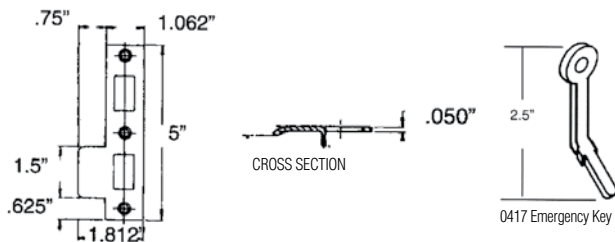


Item #	Description	030, 031, 033	003
		034, 040, 050	055
5300.xxx.EFLS	Extended Full Lip Strike	\$15	\$20

For 2" (51mm) and 2.25" (57mm) thick doors or when trim condition necessitates a larger strike
Can also be used with Images handlesets and interior sets

LTC: 1.375" (35mm).

5528.R (.L) – Combination privacy strike – ESCUTCHEON



Item #	Description	030, 031, 033	003
		034, 040, 050	055
5528.xxx.R (.L)	Combination Privacy Strike	\$15	\$20

LTC: 1.28" (33mm), other lengths not available

FEATURES: Permits use of 5500 series tubular latches and 0413 or 0418 mortise bolts with KT and KE escutcheon trim

Strike is designed with a curved lip, so proper hand of door is required

Furnished with 0417 Emergency key standard

DUST BOX: Boxes furnished with tubular latches/mortise bolts can be used in combination with strike

NOTE: handling of strike is based on latch bolt being installed below deadbolt

5510.000 – Dust box



Item #	Description	000 finish only	\$5
5510.000	Dust box for use with 5510.xxx.TSTR strike		

For use with T strike and Extended T strike

Conceals installation marks and cutouts

Strikes NOT available in Distressed finishes, non-distressed equivalents 402=102, 412=112, 452=152

BALDWIN

Dummy Spindles – Rosettes
 5098.004.N, 5098.009.N

Half



Full



Item #	Description	
5098.004.N	Half Dummy Back Plate	\$8
5098.009.N	Full Dummy Back Plate	8
5098.004.A	Transitional Half Dummy Back Plate	13

5098.004.N – Half Dummy Spindle

- > Half dummy surface mounting for all current Estate knobs and levers
- > Rose threads onto adaptor
- > Included with roses ordered .IDM
- > If surface mounting is problematic (ie. hollow core doors) please order Rigid Mounting Spindle (5084.xxx) – shown below

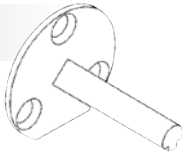
NOTE: 5098.004.A Transitional spindle for discontinued threaded knobs & levers, as well as all current Estate knobs and levers.

5098.009.N – Full Dummy Adaptor

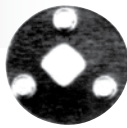
- > Rose threads onto adaptor
- > For all current Estate knobs and levers
- > Two adaptors included with roses ordered .FD
- > **Spindle ordered separately**

Dummy Spindles & Adaptors – Escutcheon

Half



Full



Item #	Description	Size	
5077.004	Half Dummy Spindle	1.5"	
5091.004	Half Dummy Spindle	0.875"	\$13
5092.004	Half Dummy Spindle	1.125"	
5099.004	Full Dummy Adaptor	1.175"	5

5077, 5091, 5092 – Half Dummy Spindle

- > For mounting all current Estate knobs and levers to Escutcheon plates
- > 5092 for most escutcheons
- > 5077 for thick escutcheons: ≥ .75" thick (eg. Hamilton & Tremont)
- > 5091 for thin escutcheons: ≤ .1" thick (eg. Boston, San Diego, etc.)

5099.004 – Full Dummy Adaptor

- > For mounting escutcheons on Full Dummy applications (2 needed)
- > 1.175" diameter (30mm)
- > Spindle ordered separately

.A SUFFIX TRANSITIONAL SPINDLES: (OLD STYLE):

For use with all discontinued Estate **threaded** knobs & levers, as well as all current Estate knobs and levers

Transitional Half Dummy Spindles – ESCUTCHEON

Item #	Description	Size	
5077.004.A	Half Dummy Spindle	1.5"	
5091.004.A	Half Dummy Spindle	.875"	\$13
5092.004.A	Half Dummy Spindle	1.125"	

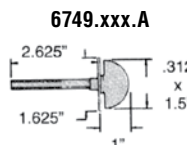
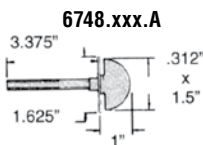
5097.009.N – Active Trim Back Plate See SPARE PARTS, page 56

Half Dummy Rigid Mounting Closet Spindle

Half



Closet



Item #	Description	Spindle Length	Door Thickness	030, 031 050, 060, 102 190, 260, 264	003, 055 056, 402 412, 452
5084.xxx.A	Half Dummy Rigid Mounting	2.25"	1.375"	\$30	\$35
6748.xxx.A	Closet Spindle	3.375"	1.75"	45	50
6749.xxx.A	Closet Spindle	2.625"	1.375"		

5084.xxx – Half Dummy Rigid Mounting Spindle – ROSES

- > Optional mounting in place of 5098.004.N for a more secure mounting
- > Through-bolt application ideal for hollow core doors or where surface mounting is not recommended

6748-6749.xxx.A – Closet Spindle

- > For the inside of closets and low frequency use doors
- > Installation is identical to standard trim designs
- > For 2.125" pre-drilled doors, use 5081 closet spindle with 6502.009 adaptor, See Pre-drilled Doors Accessories
- CAUTION: Closet spindles are difficult to turn and should not be used where children, aged, or physically-handicapped people may lock themselves within a small space

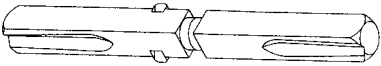
INTERIOR & ENTRANCE HARDWARE SPINDLES

0509 - 0516 Broached Straight Spindles – PASSAGE



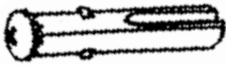
Item #	Description	Size	
0509.004	Broached straight	3"	
0510.004	Broached straight	3.5"	
0511.004	Broached straight	4"	
0512.004	Broached straight	4.5"	
0513.004	Broached straight	5"	\$12
0514.004	Broached straight	5.5"	
0515.004	Broached straight	6"	
0516.004	Broached straight	7"	

0509 - 0516 Broached Swivel Spindles – PRIVACY



Item #	Description	Size	
0519.004	Broached swivel	3"	
0520.004	Broached swivel	3.5"	
0521.004	Broached swivel	4.5"	
0522.004	Broached swivel	4"	\$16
0523.004	Broached swivel	5"	
0524.004	Broached swivel	5.5"	
0525.004	Broached swivel	6.5"	

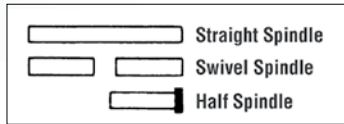
0530 - 0533 Broached Half Spindles – FRONT DOOR (thumbpiece to knob or lever)



Item #	Description	Size	
0530.004	Broached half	2.375"	
0531.004	Broached half	2.875"	
0532.004	Broached half	3.375"	\$12
0533.004	Broached half	2.25"	
0539.004	Broached half	2.625"	

- > For mounting all current Estate knobs and levers to thumbpiece of handlesets
- > Included with all 'set' orders

SPINDLE CHART & KEY



Door Thickness	1.375"		1.75"		2"		2.25"		2.5"	
	Spindle	Half Spindle	Spindle	Half Spindle	Spindle	Half Spindle	Spindle	Half Spindle	Spindle	Half Spindle
A - .0625"	3.5"	2.25"	4"	2.25"	4"	2.25"	4.5"	2.25"	4.5"	2.375"
B - .0937"	3.5"	2.25"	4"	2.25"	4"	2.25"	4.5"	2.25"	5"	2.375"
C - .125"	3.5"	2.25"	4"	2.25"	4.5"	2.25"	4.5"	2.25"	5"	2.375"
D - .1875"	3.5"	2.25"	4"	2.25"	4.5"	2.25"	4.5"	2.375"	5"	2.375"
E - .25" Estate Roses	3.5"	2.25"	4"	2.25"	4.5"	2.25"	5"	2.375"	5"	2.875"
F - .3125"	4"	2.25"	4.5"	2.25"	5"	2.375"	5"	2.375"	5"	2.875"
G - .375"	4"	2.25"	4.5"	2.25"	5"	2.375"	5.5"	2.875"	5.5"	2.875"
H - .435"	4.5"	2.25"	4.5"	2.375"	5"	2.375"	5.5"	2.625"	5.5"	2.875"
I - .56"	5"	2.25"	5"	2.375"	5.5"	2.625"	6"	2.625"	6"	2.875"
J - .75"	5"	2.625"	5.5"	2.875"	5.5"	2.875"	6"	2.875"	6"	2.875"

.A SUFFIX TRANSITIONAL SPINDLES (OLD STYLE):

For use with all discontinued Estate threaded knobs & levers, as well as all current Estate knobs and levers

Transitional Straight Spindles – Passage

Item #	Description	Size	
0509.004.A	Transitional straight	3"	
0510.004.A	Transitional straight	3.5"	
0511.004.A	Transitional straight	4"	
0512.004.A	Transitional straight	4.5"	
0513.004.A	Transitional straight	5"	\$17
0514.004.A	Transitional straight	5.5"	
0515.004.A	Transitional straight	6"	
0516.004.A	Transitional straight	7"	

Transitional Swivel Spindles – Privacy

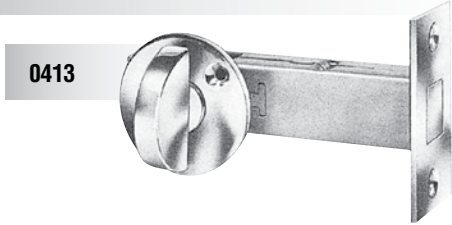
Item #	Description	Size	
0519.004.A	Transitional swivel	3"	
0520.004.A	Transitional swivel	3.5"	
0521.004.A	Transitional swivel	4.5"	
0522.004.A	Transitional swivel	4"	\$21
0524.004.A	Transitional swivel	5"	
0525.004.A	Transitional swivel	6.5"	

Transitional Half Spindles – Front Door (thumbpiece to knob or lever)

Item #	Description	Size	
0530.004.A	Transitional half	2.375"	
0531.004.A	Transitional half	2.875"	
0532.004.A	Transitional half	3.375"	\$17
0533.004.A	Transitional half	2.25"	

INTERIOR & ENTRANCE HARDWARE PRIVACY MORTISE BOLTS

Mortise Bolt, Tubular Design



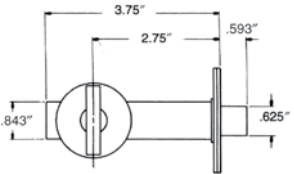
0413

Item #	Description	Backset	Wt.	030, 031, 033	003, 055
				034, 040, 050	060, 102, 112
0413.xxx	Contemporary Mortise Bolt	2.75"	0.6		
0414.xxx	Traditional Mortise Bolt	2.75"			
0418.xxx	Contemporary Mortise Bolt	2.375"	0.5	\$75	\$80
0419.xxx	Traditional Mortise Bolt	2.375"			

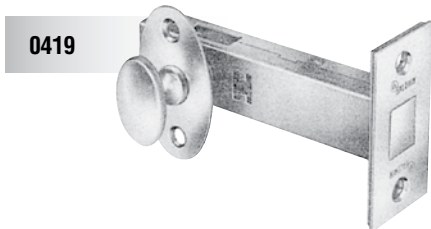
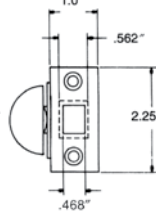
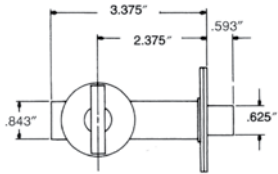
- > Heavy duty solid brass mortise bolt with steel housing
- > Smooth and positive action
- > Use with tubular latches for privacy/patio condition
- > May be installed above or below latches, depending upon visibility
- > Emergency release trim available at additional charge
- > **Available Less Turn Piece (.LTP) – see next page to select a Turn Piece**

IMPORTANT: To enable emergency trim to function, the turn piece spindle must be cut to extend no farther than halfway through the bolt
PACKED: One in a box with necessary fasteners and template
FSE: BHMA Designation: LO4121

0413.xxx – 2.75" Backset Mortise Bolt

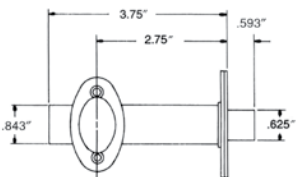


0418.xxx – 2.375" Backset Mortise Bolt

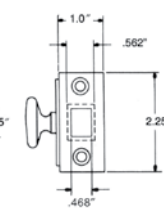
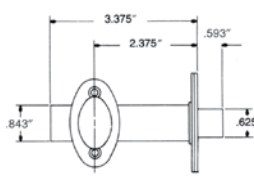


0419

0414.xxx – 2.75" Backset Mortise Bolt



0419.xxx – 2.375" Backset Mortise Bolt



0413 & 0418.LTP Less Turn Piece



Order Turn Piece separately (next page)

Item #	Description	Backset	Wt.	030, 031, 033	003
				034, 040, 050	055
				060, 102, 112	056
				190, 260, 264	056
0413.xxx.LTP	Mortise Bolt – Less Turn Piece	2.75"	0.4	\$30	\$35
0418.xxx.LTP	Mortise Bolt – Less Turn Piece	2.375"			

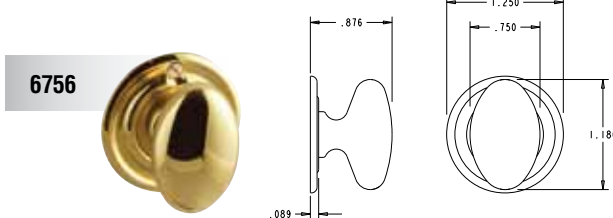
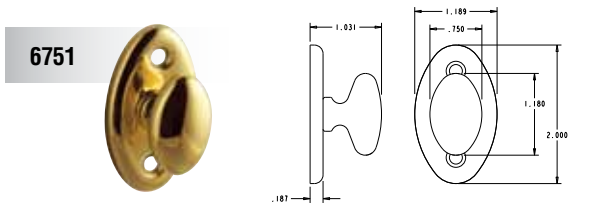
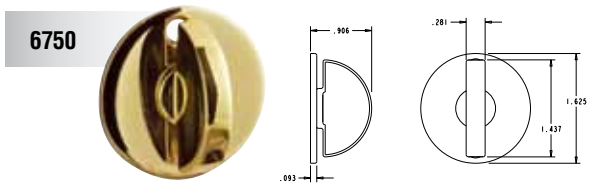
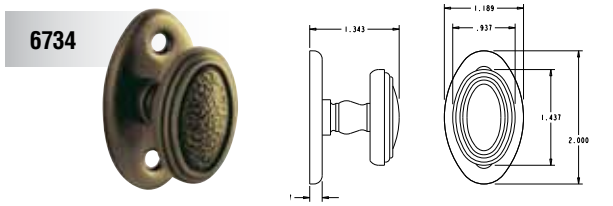
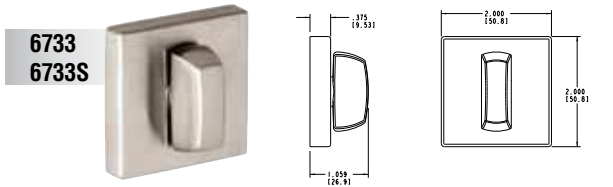
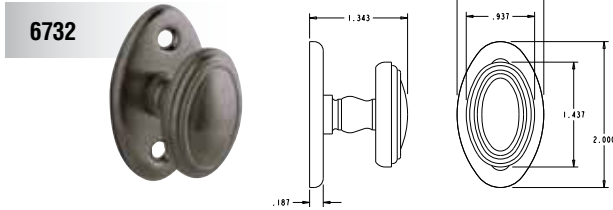
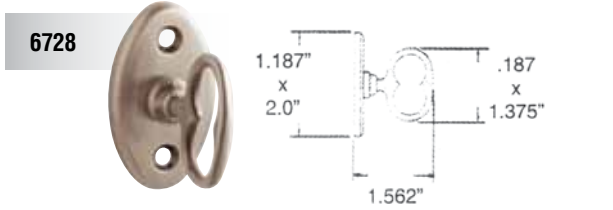
Mortise Bolts .LTP not available in Distressed finishes, non-distressed equivalents:
 402=102, 412=112, 452=152*

INTERIOR & ENTRANCE HARDWARE TURN PIECES | BACKPLATES

Turn Pieces w/ Backplates

030, 031, 033
034, 040, 050
060, 102, 112
190, 260, 264

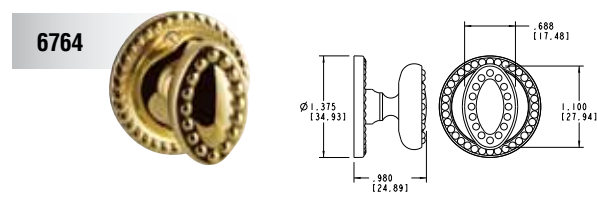
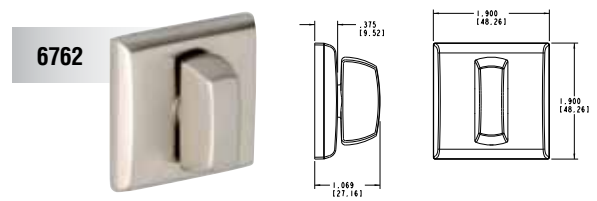
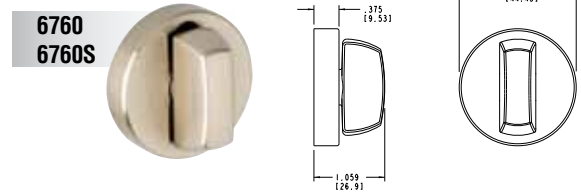
003, 055
056, 402
412, 452



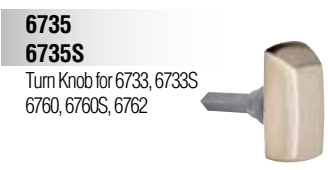
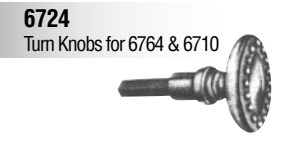
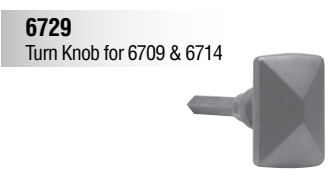
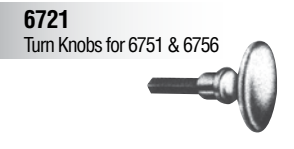
Item #	Description		
6728.xxx			
6732.xxx			
6734.xxx			
6750.xxx	Turn Piece	\$65	\$70
6751.xxx	(Will accommodate doors up to 2.25")		
6756.xxx			
6764.xxx			
For doors thicker than 2.25" order turn pieces as .EXT.		75	80
6728-6764.xxx – Turn Piece w/ Backplates			
> For interior & exterior mortise locks, tubular bolts and sectional trim			
6733.xxx			
6733S.xxx**			
6760.xxx	Turn Piece	\$65	\$70
6760S.xxx	(Will accommodate doors up to 3")		
6762.xxx			
For doors thicker than 3" order turn pieces as .EXT.		75	80

*6733S & 6760S Stainless Steel – Tier 1 finishes: 320 & 324
*6733S & 6760S Stainless Steel NOT available in Tier 2 finishes
** 6733S is NOT available as EXT.

Baldwin Stainless Steel products crafted with Grade 304 Stainless Steel



Turn Knobs

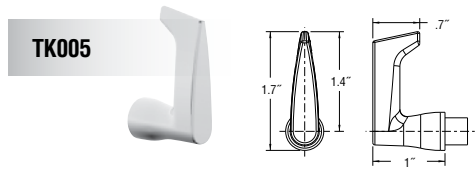
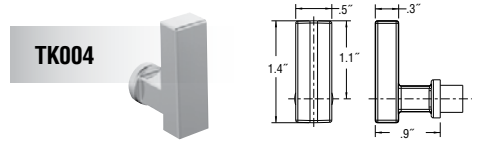
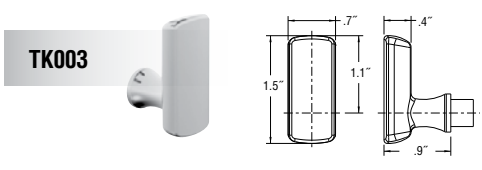
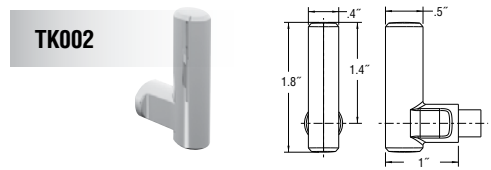
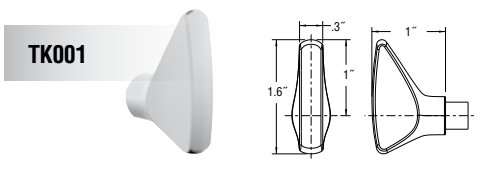


Item #	Description	Matching Turn Piece	030, 031, 033 034, 040, 050 060, 102, 112 190, 260, 264	003, 055 056, 402 412, 452
6720.xxx	Turn Knob	6750		
6721.xxx	Turn Knob	6751 & 6756		
6722.xxx	Turn Knob	6728		
6724.xxx	Turn Knob	6764 & 6710	\$35	\$40
6725.xxx	Turn Knob	6732		
6727.xxx	Turn Knob	6734		
6729.xxx	Turn Knob	6709 & 6714		

6720-6729.xxx – Turn Knobs
 > For interior & exterior trim trim or combined with ER trim to create a custom Turn Piece
 > For doors up to 2.25" thick
 > For doors thicker than 2.25", order .EXT – Extended Turn Knob eg. 6720.xxx.EXT
 > 10% up charge for assembly of non-standard turn knobs on escutcheon plates.

6735.xxx*	Turn Knob	6733, 6760, 6762	\$35	\$40
6735S.xxx**	Turn Knob	6733S, 6760S		
TK001.xxx	Turn Knob			
TK002.xxx	Turn Knob			
TK003.xxx	Turn Knob		35	40
TK004.xxx	Turn Knob			
TK005.xxx	Turn Knob			
Turn Knobs above .EXT (for doors thicker than 2.25")			40	45

*6735S Stainless Steel – Tier 1 finishes: 320, 324
***6735S Stainless Steel not available in Tier 2 finishes**
#6735 & 6735S Turn Knobs will fit up to 3" thick door (.EXT not needed/available)



INTERIOR & ENTRANCE HARDWARE EMERGENCY RELEASE (ER) TRIM/BACKPLATE

Trim & Key Set

All Trim sets come with Emergency Release Key

030, 031, 033
034, 040, 050
060, 102, 112
190, 260, 264

003, 055
056, 402
412, 452

Item #	Description		
0403.xxx	Emergency Release Trim & 0417 Key w/ 6701 Cover		
0404.xxx	Emergency Release Trim & 0417 Key w/ 6701 Cover		
0405.xxx	Emergency Release Trim & 0417 Key w/ 6701 Cover		
0406.xxx	Colonial Emergency Release Trim & Key	\$40	\$45
0407.xxx	Emergency Release Trim & 0417 Key w/ 6701 Cover		
0415.xxx	Emergency Release Trim & 0417 Key w/ 6701 Cover		
0416.xxx	Emergency Release Trim & 0417 Key w/ 6701 Cover		
0421.xxx	Contemporary Round Emergency Release Trim & 0417 Key w/ 6701 Cover (Stainless Steel)		
0421S.xxx*	Contemporary Round Emergency Release Trim & 0417 Key w/ 6701 Cover (Stainless Steel)		
0422.xxx	Lakeshore Emergency Release Trim & 0417 Key w/6701 Cover	\$40	\$45
0423.xxx	2" x 2" Square Emergency Release Trim & 0417 Key w/6701 Cover		
0423S.xxx*	2" x 2" Square Emergency Release Trim & 0417 Key w/6701 Cover		
0417.022	Emergency Release Key – Steel	Finish 022 only	6
5174.022	Emergency Key Supplied w/5500 Series Privacy Latches – Steel	Finish 022 only	6
6701.xxx	Emergency Release Cover	10	15
6703.xxx	Emergency Key – Bit Key (Solid brass key for mortise bolts and privacy function mortise locks)	35	35

*0421S & 0423S Stainless Steel – Tier 1 finishes: 320, 324

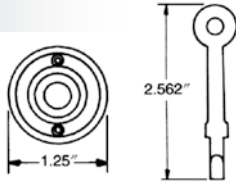
*0421S & 0423S Stainless Steel not available in Tier 2 finishes

Baldwin Stainless Steel products crafted with Grade 304 Stainless Steel

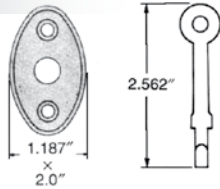
6701.xxx – Emergency Release Cover

FEATURES: Pressure applied cover
Conceals emergency release opening on privacy lock function.
Designed for use with escutcheon or emergency release trim.

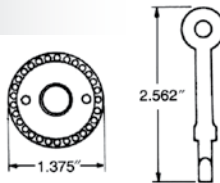
0403



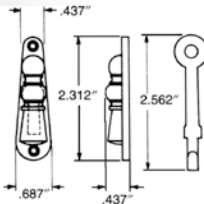
0404



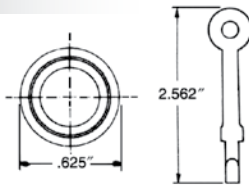
0405



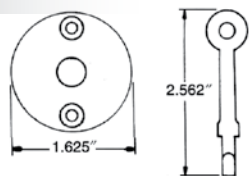
0406



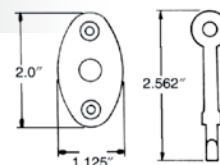
0407



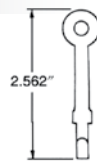
0415



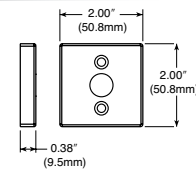
0416



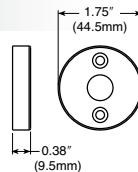
0417.022



0423
0423S

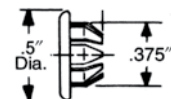


0421
0421S

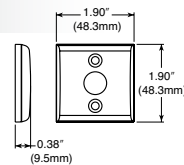


6701

Emergency Release Cover



0422



6703.xxx

Emergency Bit Key



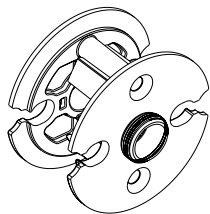
IMPORTANT: To enable emergency trim to function, the turn piece must be cut to extend no farther than halfway through the bolt.

BALDWIN

2.125" PRE-DRILLED DOOR ACCESSORIES | SPARE PARTS

6502.009

2.125" Pre-Drilled Door Adaptor



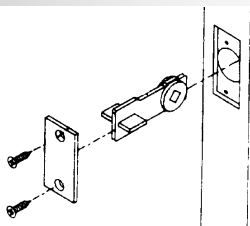
Item #	Description	
6502.009	2.125" Pre-drilled door adaptor	\$10

- > Retrofits all 2.125" pre-bored doors allowing for Estate knob/lever installation
- > Works with full dummy, passage and privacy functions
- > Must use 2.625" or larger diameter rose/escutcheon to cover adaptor

NOTE: This adaptor MUST be used if doors are pre-drilled

5090.020.A

Dummy Insert & Filler Plate



Item #	Description	
5090.020.A	Dummy insert & filler plate	\$18

- > Used with 6502.009 adaptor to enable full dummy mounting
- > Conceals face plate cut-out in edge of door

5081 & 5082

Closet Spindles – Pre-drilled Doors

5081



5082



Item #	Description	Spindle length	Door thickness	030, 031, 033	003, 055
				034, 040, 050	060, 102, 112
5081.xxx.A	Closet Spindle	2.625"	1.375"		
5082.xxx.A	Closet Spindle	3.375"	1.75"	\$45	\$50

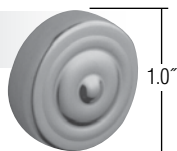
- > For the inside of closets and low frequency use doors
- > Mounts with 6502.009 Adaptor for pre-bored doors only

CAUTION: Closet spindles are difficult to turn and should not be used where children, aged, or physically-handicapped people may lock themselves within a small space

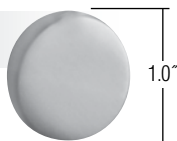
Screw Covers

Specially designed to conceal the screw head

0129



0175

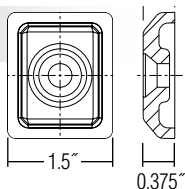


Item #	Description	030, 031, 033	003, 055
		034, 040, 050	060, 102, 112
0129.xxx	Colonial Screw Cover		
0175.xxx	Contemporary Screw Cover	\$14	\$18

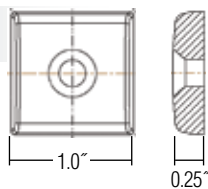
Screw Bases

Rectangular & Lakeshore

0174



0176



Item #	Description	030, 031, 033	003, 055
		034, 040, 050	060, 102, 112
0174.xxx	Rectangular Screw Base		
0176.xxx	Lakeshore Screw Base	\$27	\$31

0174.xxx – Lakeshore Screw Base

- > Specially designed screw base

0176.xxx – Lakeshore Screw Base

- > Specially designed screw cover conceals the screw head

INTERIOR & ENTRANCE HARDWARE

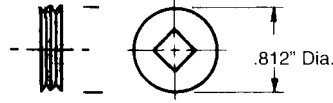
SPARE PARTS | INSTALLATION TOOLS

Spare Parts

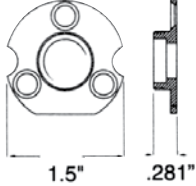
1327.009
Set Screws



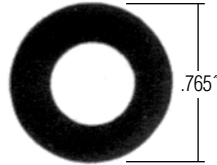
5084.009.0002
Dummy Trim Plate



5097.009.N
Active Trim Back Plate



5085.000
Graphite Impregnated Nylon Spacer



Item #	Description	Price
1327.009	Set Screws	\$1
5084.009.0002	Dummy Trim Plate	2
5085.000	Graphite Impregnated Nylon Spacer	1
5097.009.N	Active Trim Back Plate (each)	8

1327.009 – Set Screws

- > Included with ALL Estate knobs and levers
- > 0.25" Black Oxide

5084.009.0002 – Dummy Trim Plate

- > This plate can be ordered separately to convert other finishes of screw covers to a rigid mounting installation.

5097.009.N – Active Trim Back Plate

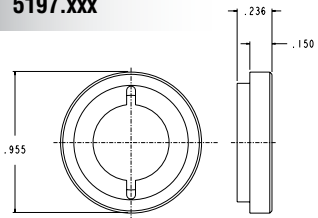
- > For use with ALL Estate active roses

5085.000 – Graphite Impregnated Nylon Spacer

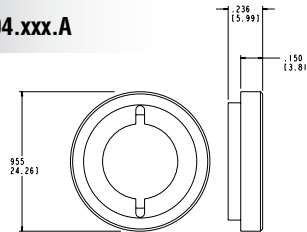
- > Included with all Privacy rosettes
- > Eliminates end play of trim and assures smooth operation

Rose Retainers

5197.xxx



5194.xxx.A



Item #	Description	Price
5197.xxx	Rose Retainer	\$3
5194.xxx.A	Rose Retainer Small Shank	

5197.xxx – Rose Retainer

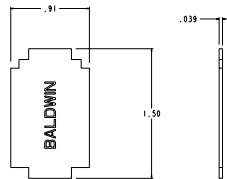
- > Rose Retainers furnished standard with all roses.

5194.xxx.A – Rose Retainer Small Shank

- > Only available in finishes 019, 140, 150, 151, 190, 221

Installation Tools

5198.000.A
Spanner Tool



8474.000
Aligning Bushing



8480.000
Aligning Tool & Bushing



8481.000.001
Socket Wrench



Item #	Description	Price
5198.000.A	Spanner Tool	\$3
8474.000	Aligning Bushing (box of 50)	15
8480.000	Aligning Tool & Bushing	12
8481.000.001	Socket Wrench	8

5198.000.A – Spanner Tool

- > One Spanner Tool furnished standard with all roses/except.

8474.000 – Aligning Bushing

- > Box of 50

8480.000 – Aligning Tool & Bushing

- > For use in proper alignment of knobs/levers and roses with mortise locks and tubular latches.

8481.000.001 – Socket Wrench

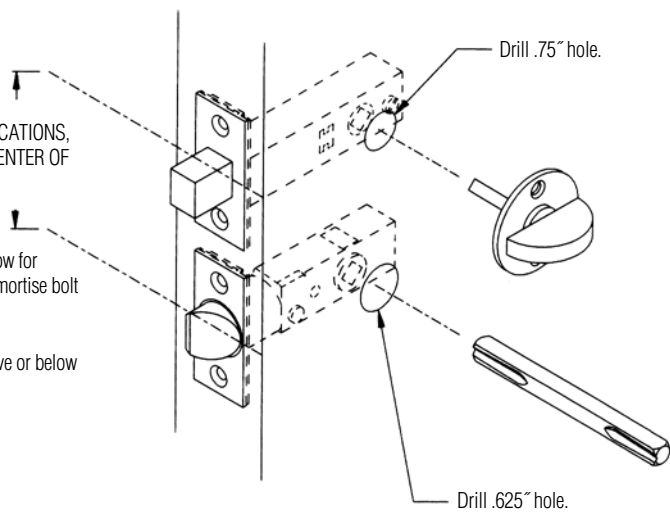
- > For all knob and lever installations

TUBULAR LATCH INSTALLATION W/ALIGNING BUSHING

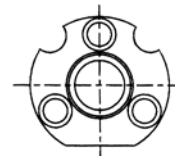
*NOTE: IN SEPARATE MOUNTING APPLICATIONS, THE MINIMUM DISTANCE BETWEEN CENTER OF BOLTS IS 2.75"

*This minimum distance is required to allow for proper clearance between latch bolt and mortise bolt strikes (T-Strikes).

NOTE: Mortise bolt may be installed above or below tubular latch, depending upon visibility.



8474.000
Alignment Bushing



5097.000.N
Back Plate

Use of 8474.000 Aligning Bushing will facilitate installation of trim. Trim must be in alignment with latch and spindle to prevent binding.

- A. Install latch and strike per template instructions.
- B. Insert spindle through latch.
- C. Position 5097.009 Back Plates over spindle and insert 8474.000 Alignment Bushings.
- D. Center mark and install screws into back plates and remove 8474.000 Alignment Bushings.
- E. Install trim.

MORTISE BOLT INSTALLATION

When installing mortise bolts, ALWAYS check width of Emergency Release Trim before drilling face bore. Standard bore is .625" (16mm) completely through door. Emergency Release Trim 0406 and 0407 require a .5" (13mm) bore on outside face of door; a .625" (16mm) bore on inside face of door.

IMPORTANT: When Emergency Release Trim is used, the turn piece spindle must be cut to extend no farther than halfway through the bolt.

COMMUNICATING DOORS

— HOSPITALITY —



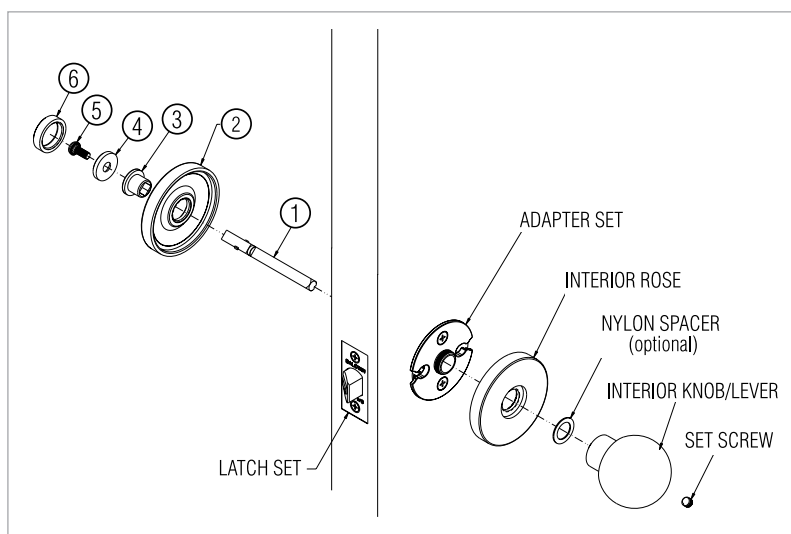
- **Communicating Door Kit:** For use in conjunction with Baldwin patio deadbolt
Includes: swivel spindle, rose and screw cover for oppsite side of Communicating Door
- Function: Security between (hotel) rooms with limited space between doors
- Communicating door side compatible with any LARGE thread-on rose style (5048 rose included)
- Immediate availability in standard Estate finishes

Commonly found between two hotel rooms where a functional latch is still required, and limited space between doors does not allow for trim to be installed on exterior sides.

Security between rooms is accomplished with a standard patio dead bolt. Latch & trim offer normal passage functionality on interior, while completing the aesthetic requirement of a complete trim set on the door.

Door kits include all components needed to complete communicating door installation:

- > Estate 5048 thread-on passage rose and 0129 screw cover
- > Components 1 – 6 shown below
- > Kits designed to work with standard communicating door thickness of 1.75"

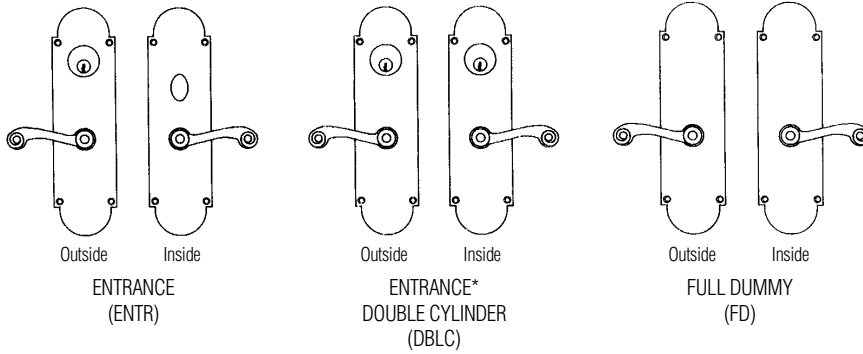
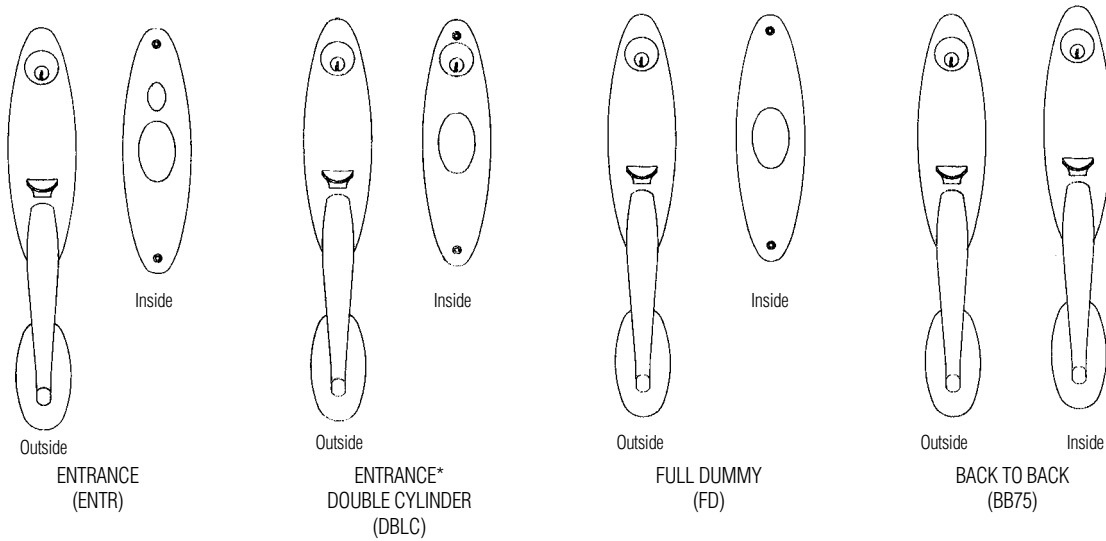


- 1) 0529.028.T5212 Swivel Spindle Assembly
- 2) 5048.150.05102 Rose
- 3) 8480.800.00015 Alignment Bushing
- 4) 0129.039.00025 Back Plate
- 5) 1141.028.00009 10-32 X 1/2 Bolt
- 6) 0129.150.00015 Colonial Screw Cover

LIST PRICING

SKU	Tier 1	Tier 2
5187.xxx	\$68	\$73

Entrance Trim Symboly



*WARNING: Double cylinder functions on any application used for Egress may present a safety hazard in times of emergency. Installation should be in accordance with local codes.



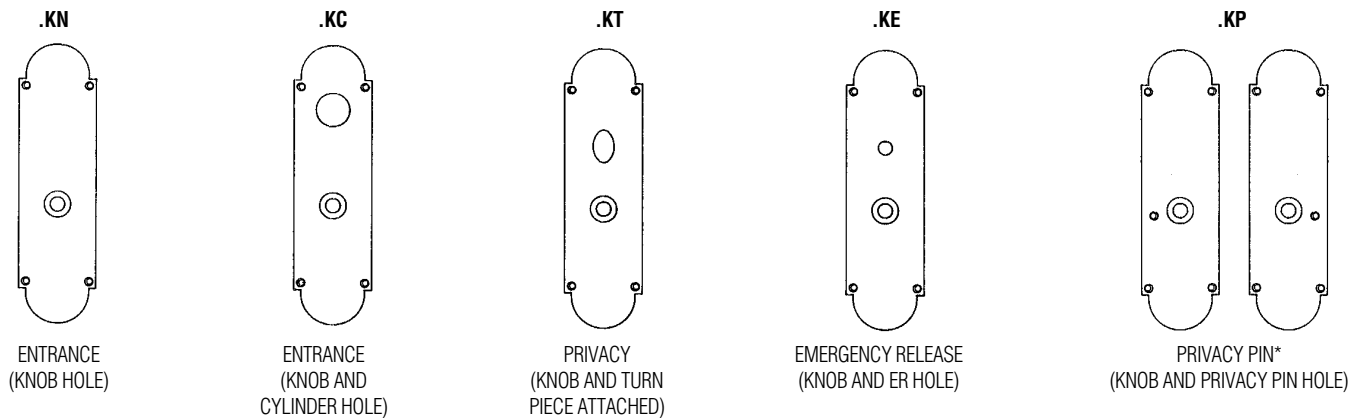
Watch for this icon as your quick guide to coordinating Baldwin lock hardware throughout your home. Your favorite Baldwin styles are now available in Mortise for entrance needs, Tubular for entrance/interiors, AND Multi-Point for patio doors!



This symbol signifies that the illustrated lock trim will cover most single tubular cut-outs when used with appropriate backset mortise lock. Individual conditions should be examined to confirm acceptability.

Escutcheon Plate Configurations

Ordered in half pairs except for privacy (.KP) cut-outs which are ordered in pairs.



*NOT AVAILABLE ON ALL ESCUTCHEONS

ENTRANCE TRIM TERMINOLOGY

Terminology

All the codes used in Entrance Trim

ESCUTCHEON TRIMS

Function Code	Description
.ENTR	Active Entrance Trim – Knobs, Levers
.RENT	Right-handed Active Handleset – Levers
.LENT	Left-handed Active Handleset – Levers
.DBLC	Double Cylinder Active Entrance Trim
.FD	Full Dummy Trim
.RFD	Right-Handed Full Dummy
.LFD	Left-Handed Full Dummy
.BB75	Back to Back Entrance Trims 1 3/4" Doors
.BB30	Back to Back Entrance Trims up to 3" Doors
.BBFD	Back to Back Full Dummy
.KC	Knob and Cylinder Hole
.KT	Knob and Turn Piece Attached
.KN	Knob Hole
.KP	Knob and Privacy Button Hole (only sold in Pairs)
.KE	Knob and Emergency Release Hole
.KCIS	Cut for Cylinder Inside*
.KEIS	Cut for Emergency Release Inside*
.KNIS	Cut for Knob Inside*
.KTIS	Cut for Turn Piece Inside*
.KCOS	Cut for Cylinder Outside**
.KEOS	Cut for Emergency Release Outside**
.KNOS	Cut for Knob Outside**
.KTOS	Cut for Turn Piece Outside**

*Surface Mounted Thru-Bolt

** Thru-Bolted (No Surface Screws)

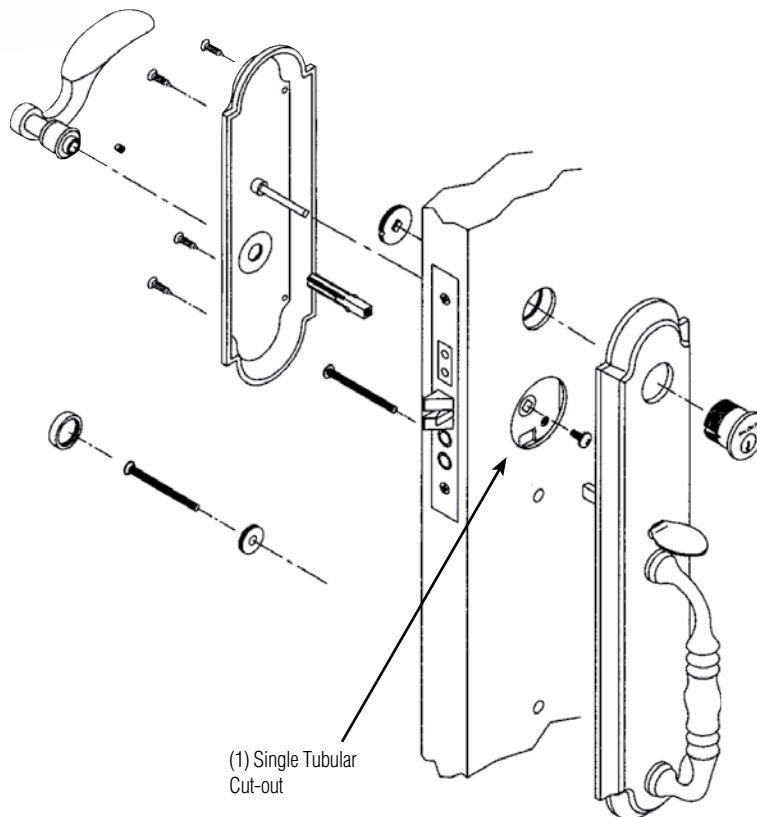
MORTISE LOCKS

Function Code	Description
.R	Right-handed Mortise Lock (Knobs)
.L	Left-handed Mortise Lock (Knobs)
.RLS	Right-handed Mortise Lock Lever Strength (Levers)
.LLS	Left-handed Mortise Lock Lever Strength (Levers)
.RR	Right-handed Reverse Bevel Mortise Lock (Knobs)
.LR	Left-handed Reverse Bevel Mortise Lock (Knobs)
.RRLS	Right-handed Reverse Bevel Mortise Lock Lever Strength (Levers)
.LRLS	Left-handed Reverse Bevel Mortise Lock Lever Strength (Levers)
.LRB1	Right-handed Reverse Bevel Mortise Lock Lever Strength (Levers) w/ 1" Front
.RRB1	Left-handed Reverse Bevel Mortise Lock Lever Strength (Levers) w/ 1" Front

Pre-Drilled Doors



This symbol signifies that the illustrated lock trim will cover most single tubular cut-outs when used with appropriate backset mortise lock. Individual conditions should be examined to confirm acceptability.



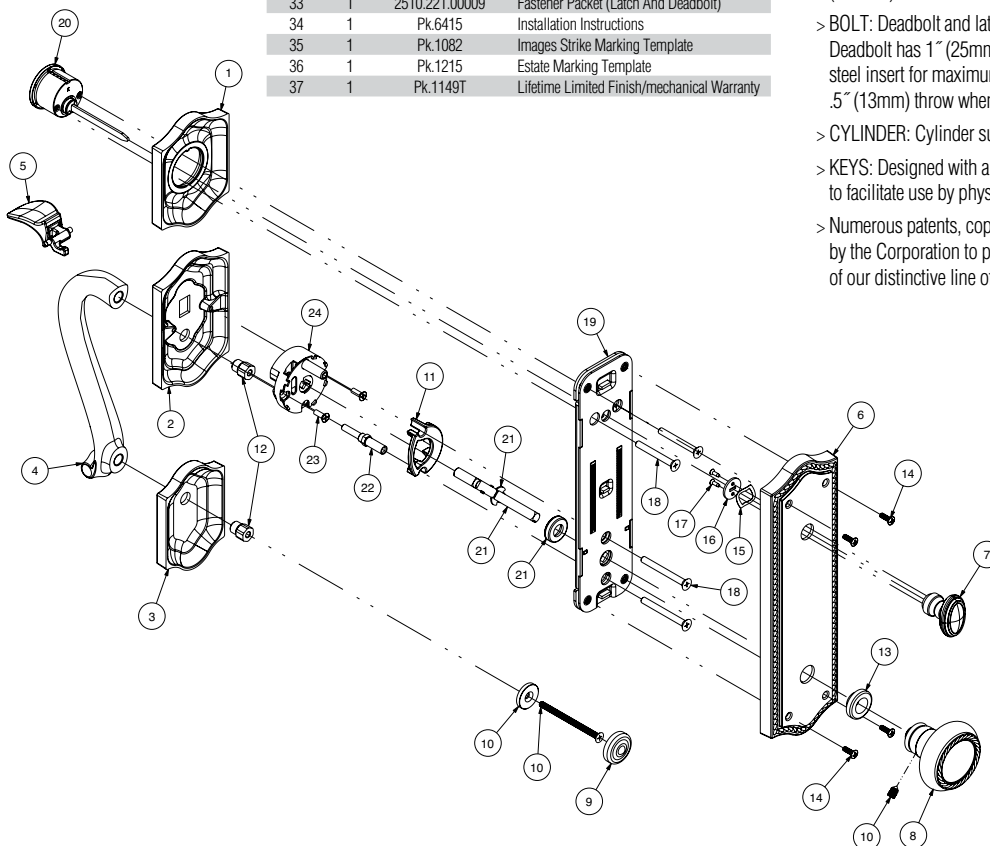
Specifications & Standards of Excellence

Estate lock sets are featured in traditional styles in our most popular finishes. Interior latch set designs coordinate beautifully with lockset styles to enable customers to carry a specific design theme throughout the home. Each Estate lockset is packed as a complete set, and is also available by component.

Item	Qty	Part No.	Part Name
1	1	6420.xxx.00052	Cylinder Collar
2	1	6420.xxx.00012	Large Plate
3	1	6420.xxx.00022	Small Plate
4	1	2598.xxx.00013	Door Pull
5	1	5300.xxx.95115	Thumbpiece
6	1	6420.xxx.KT012	Inside Escutcheon
7	1	5350.xxx.00023	Turn Knob
8	1	5064.xxx.00013	Knob-rope
9	1	0129.xxx.00013	Screw Cover
10	1	5300.000.05205	Fastener Packet (Pull/knob)
11	1	5300.228.97085	Alignment Bracket
12	2	1704.039.00115	Threaded Adaptor
13	1	6747.xxx.00013	Thimble
14	1	1005.xxx.05105	Fastener Packet (Inside Plate)
15	1	5196.109.00005	Wave Washer
16	1	8053.509.00015	Plate-tailpiece
17	2	1117.509.00009	#3-48 X .313" Lg., Fh, Ph, M/s
18	1	5300.000.93505	Fastener Packet (Egress Cartridge)
19	1	5300.000.95505	Rectangular Egress Cartridge Assembly
20	1	8031.xxx.05255	Cylinder Assembly
21	1	5300.000.93205	Spindle/spacer Packet
22	1	5300.028.99055	Mounting Post
23	2	10009.329.00009	#6-32 X .44" Lg., Fh, Ph, M/s
24	1	5300.000.95995	Thumb Cartridge Assembly

Not Shown On Drawing

25	1	5300.xxx.95105	Latch Assembly With Faceplate
26	1	8000.xxx.STR15	Strike
27	2	8000.1849.STR35	Dust Box
28	1	8053.xxx.00032	Cylinder Cap
29	1	8208.xxx.DBC15	Deadbolt Assembly (Egress)
30	1	8510.xxx.01135	T-strike
31	1	1013.221.05275	Fastener Packet (Strike)
32	1	1421.028.05105	Fastener Packet (Strike)
33	1	2510.221.00009	Fastener Packet (Latch And Deadbolt)
34	1	Pk.6415	Installation Instructions
35	1	Pk.1082	Images Strike Marking Template
36	1	Pk.1215	Estate Strike Marking Template
37	1	Pk.1149T	Lifetime Limited Finish/mechanical Warranty



Mechanical Features - Escutcheon Trim Lock sets

- > **SOLID FORGED BRASS:** Entrance handle, escutcheon, knob, rose and turn piece are manufactured of solid forged brass for maximum Strength and durability.
- > **INSTALLATION:** Lock sets are designed for easy installation in standard pre-bored wood or metal doors. The adaptor aligns the latch with the trim. Graphic instructions make installation FAST!
- > **FULLY REVERSIBLE:** Accommodates all door conditions and facilitates installation.
- > **DOOR THICKNESS:** Lock sets accommodate a door thickness of 1.75" (44mm). Conversion kit available for 2.0" (51mm) and 2.25" (57mm) thick doors (see price list for details).
- > **CASE:** Deadbolt and latch case are formed of steel for Strength. Most interior working parts are made of solid brass or zinc chromate plated steel for maximum Strength and smooth operation.
- > **BACKSET:** Adjustable backset 2.375" (60mm), 2.75" (70mm) latch and deadbolt supplied standard.
- > **FACE PLATE:** Deadbolt and latch supplied with a 1" (25mm) face plate.
- > **STRIKE:** Deadbolt is furnished with a specially designed reinforcing strike constructed of high grade steel for ultimate Strength and durability. The strike is installed with two (2) 3" (76mm) security jamb screws and a dust box. The security strike is covered with an armored front to conceal the fasteners. Latches are supplied standard with a box strike (other strikes are available at an additional charge).
- > **DISTANCE BETWEEN CENTER OF LATCH AND DEADBOLT (CTC):** Lockset accommodates 5.5" (140mm) center to center dimension ONLY.
- > **BOLT:** Deadbolt and latch bolt constructed of solid brass. Deadbolt has 1" (25mm) throw when extended and a hardened steel insert for maximum protection and security. Latch bolt has a .5" (13mm) throw when extended to fully engage the door jamb.
- > **CYLINDER:** Cylinder supplied with 5-pin keying.
- > **KEYS:** Designed with a 1.25" (32mm) wide bow surface to facilitate use by physically challenged people.
- > Numerous patents, copyrights, and trademarks are held by the Corporation to protect the integrity and reputation of our distinctive line of hardware appointments.

ENTRANCE SETS TUBULAR

Specifications and Standards

ALL ENTRANCE LOCK SETS:

SOLID FORGED BRASS: Entrance handle, cylinder collar, knob, rose and turn piece are manufactured of solid forged brass for maximum strength and durability.

INSTALLATION: Images lock sets are designed for easy installation in standard pre-bored wood or metal doors. The adaptor aligns the latch with the trim. Graphic instructions make installation FAST!

DOOR THICKNESS: Lock sets accommodate a door thickness of 1-3/4" (44mm). Conversion kit available for 2" (51mm) and 2-1/4" (57mm) thick doors at an additional charge.

CASE: Deadbolt and latch case are formed of steel for strength. Most interior working parts are made of solid brass or steel for maximum strength and smooth operation.

BACKSET: Adjustable backset 2-3/8" (60mm) or 2-3/4" (70mm) latch and deadbolt supplied standard.

FACE PLATE: Deadbolt and latch supplied with a 1" (25mm) face plate.

STRIKE: Deadbolt is furnished with a specially designed reinforcing strike constructed of high grade steel for ultimate strength and durability. The strike is installed with two (2) 3" (76mm) security jamb screws and a dust box. The security strike is covered with an armored front to conceal the fasteners. The 3" screws securing the inside face of the double cylinder deadbolt resist tampering and guard against theft. Latches are supplied standard with a full lip strike (other strikes are available at an additional charge.)

BOLT: Deadbolt and latch bolt are constructed of solid brass. Deadbolt has 1" (25mm) throw when extended and a hardened steel insert for maximum protection and security. Latch bolt has a .5" (13mm) throw when extended to fully engage the door jamb.

KEYS: Designed with a 1-1/4" (32mm) wide bow surface.

PACKAGING: All products are packaged in contractor packaging unless noted.

SECTIONAL TRIM LOCK SETS:

FULLY REVERSIBLE: Accommodates most door conditions and facilitates installation.

DOOR THICKNESS: Lock sets accommodate a door thickness of 1-3/4" (44mm). Conversion kit available for 2" (51mm) and 2-1/4" (57mm) thick doors at an additional charge.

DISTANCE BETWEEN CENTER OF LATCH AND DEADBOLT (CTC): Lockset accommodates any center-to-center dimension greater than 4-3/8" (111mm).

CYLINDER: Cylinder supplied with 5-pin keying. Cylinder is protected with a free-turning cylinder guard to resist gripping or twisting.

DOOR PREP: Designed to fit 2-1/8" face bore with no additional hardware.

ESCUTCHEON TRIM LOCK SETS:

FULLY REVERSIBLE: Accommodates most door conditions and facilitates installation.

DOOR THICKNESS: Lock sets accommodate a door thickness of 1-3/4" (44mm). Conversion kit available for 2" (51mm) and 2-1/4" (57mm) thick doors at an additional charge (see price list for details).

DISTANCE BETWEEN CENTER OF LATCH AND DEADBOLT(CTC): Lockset accommodates a 5 1/2" (140mm) center-to-center dimension ONLY.

CYLINDER: Cylinder supplied with 5-pin keying.

EMERGENCY EGRESS TUBULAR ENTRANCE LOCK SETS:

EMERGENCY EGRESS: Handleset which retracts the latchbolt and deadbolt simultaneously when the inside knob/lever is turned. Door will remain unlocked unless locked with a key.

CARTRIDGE: Case and interior working parts are formed of heavy gauge steel, zinc chromate plated and lubricated for maximum strength and smooth operation.

FULLY REVERSIBLE: Accommodates most door conditions and facilitates installation.

DOOR THICKNESS: Lock sets accommodate a door thickness of 1-3/4" (44mm). Conversion kit available for 2" (51mm) and 2-1/4" (57mm) thick doors at an additional charge.

DISTANCE BETWEEN CENTER OF LATCH AND DEADBOLT (CTC): Lockset accommodates 5 1/2" center-to-center dimension ONLY.

CYLINDER: Cylinder supplied with 5-pin keying.

IMPORTANT: Emergency egress entrance lock sets are designed for use with all Images knobs or levers.

TWO-POINT LOCK SETS:

DOOR THICKNESS: Lock sets accommodate a door thickness of 1-3/4"(44mm) to 2" (51mm). Cannot be installed on doors thicker than 2"(51mm).

DISTANCE BETWEEN CENTER OF LATCH AND DEADBOLT (CTC): Lockset accommodates any center-to-center dimension greater than 4-3/4" (121mm).

CYLINDER: Cylinder supplied with 5-pin keying. Cylinder is protected with a free-turning cylinder guard to resist gripping or twisting.

DOOR PREP: Designed to fit 2-1/8" face bore with a 3-hole prep.

NOTE: When installing a two-point handleset on a door prepped for a standard single point handleset with a 5 1/2" CTC boring, the location of the thumb piece will be approximately 2 1/2" lower.

Numerous patents, copyrights, and trademarks are held by the Corporation to protect the integrity and reputation of our distinctive line of hardware appointments.

Functions Available

ENTRANCE



FROM EXTERIOR:
Thumb piece operates handleset latch;
key operates deadbolt.

FROM INTERIOR:
Knob operates latch;
key operates deadbolt.

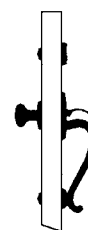
DOUBLE CYLINDER



FROM EXTERIOR:
Thumb piece operates handleset latch;
key operates deadbolt.

FROM INTERIOR:
Knob operates latch;
key operates deadbolt.

FULL DUMMY



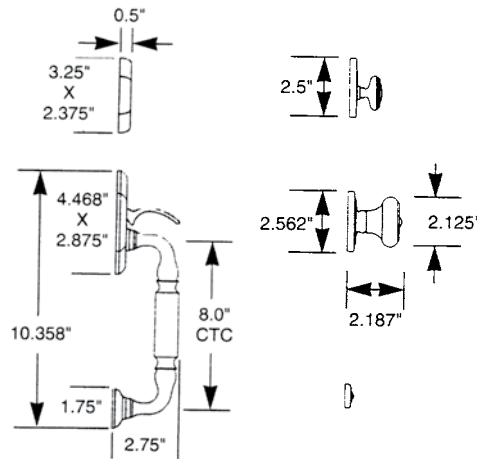
Trim for non-working side of double doors. Matching dummy trim (non-functioning) handleset and interior trim.

Canterbury Sectional Trim

w/ 5020 Colonial knob or 5455V Wave lever

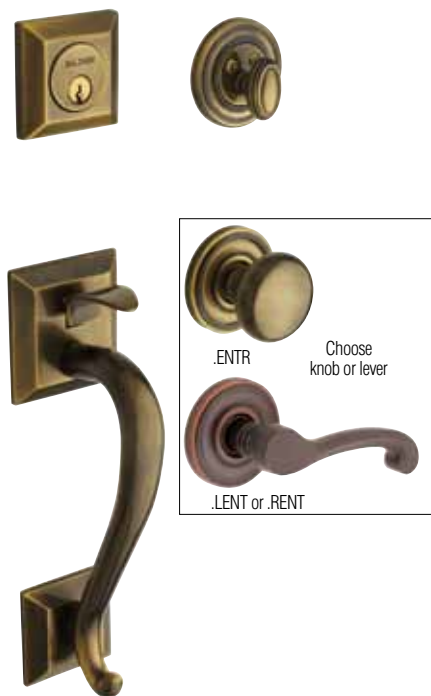


Item #	Description	Wt.	031, 050, 102	003, 055
			112, 150, 151	056, 402
			190, 260, 264	412, 452
85305.xxx.ENTR	Single cylinder handleset with interior knob	5.8	\$425	\$500
85305.xxx.DBLC	Double cylinder handleset with interior knob	6.1	455	530
85305.xxx.FD	Full dummy set with interior knob	4.6	365	440
85305.xxx.RENT	Single cylinder handleset with lever – RH Entry	6.8	425	500
85305.xxx.LENT	Single cylinder handleset with lever – LH Entry	6.8	425	500
85305.xxx.RDBL	Double cylinder handleset with lever – RH Entry	7.1	455	530
85305.xxx.LDBL	Double cylinder handleset with lever – LH Entry	7.1	455	530
85305.xxx.RFD	Full dummy set with lever – RH Dummy	5.6	365	440
85305.xxx.LFD	Full dummy set with lever – LH Dummy	5.6	365	440

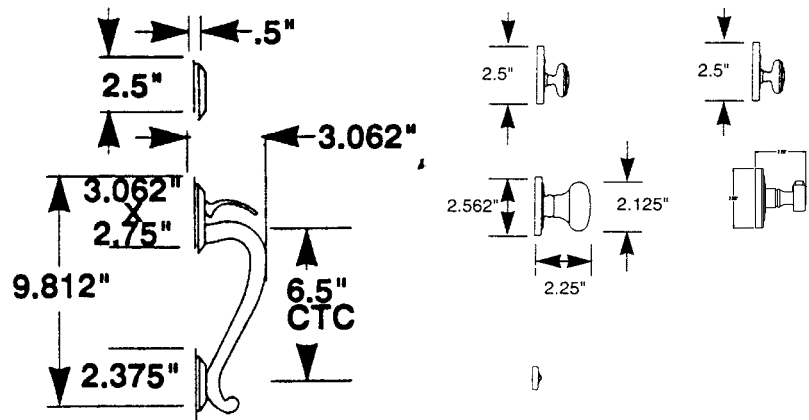


Madison® Sectional Trim

w/ 5015 Classic knob or 5445V Classic lever



Item #	Description	Wt.	031, 050, 102	003, 055
			112, 150, 151	056, 402
			190, 260, 264	412, 452
85320.xxx.ENTR	Single cylinder handleset with interior knob	5.6	\$425	\$500
85320.xxx.DBLC	Double cylinder handleset with interior knob	5.9	455	530
85320.xxx.FD	Full dummy set with interior knob	4.2	365	440
85320.xxx.RENT	Single cylinder handleset with lever – RH Entry	6.6	425	500
85320.xxx.LENT	Single cylinder handleset with lever – LH Entry	6.6	425	500
85320.xxx.RDBL	Double cylinder handleset with lever – RH Entry	6.9	455	530
85320.xxx.LDBL	Double cylinder handleset with lever – LH Entry	6.9	455	530
85320.xxx.RFD	Full dummy set with lever – RH Dummy	5.2	365	440
85320.xxx.LFD	Full dummy set with lever – LH Dummy	5.2	365	440



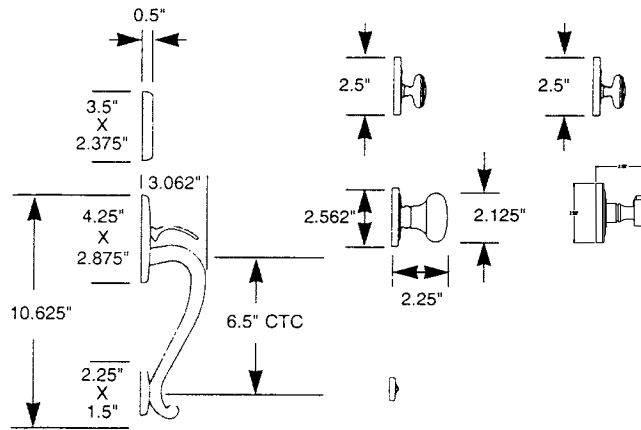
ENTRANCE SETS, TUBULAR SECTIONAL

Logan Sectional Trim

w/ 5015 Classic knob or 5455V Wave lever



Item #	Description	Wt.	031, 050, 102	003, 055
			112, 150, 151	056, 402
			190, 260, 264	412, 452
85315.xxx.ENTR	Single cylinder handleset with interior knob	5.7	\$425	\$500
85315.xxx.DBLC	Double cylinder handleset with interior knob	5.8	455	530
85315.xxx.FD	Full dummy set with interior knob	4.3	365	440
85315.xxx.RENT	Single cylinder handleset with lever - RH Entry	6.7	425	500
85315.xxx.LENT	Single cylinder handleset with lever - LH Entry	6.7	425	500
85315.xxx.RDBL	Double cylinder handleset with lever - RH Entry	6.8	455	530
85315.xxx.LDBL	Double cylinder handleset with lever - LH Entry	6.8	455	530
85315.xxx.RFD	Full dummy set with lever - RH Dummy	5.3	365	440
85315.xxx.LFD	Full dummy set with lever - LH Dummy	5.3	365	440

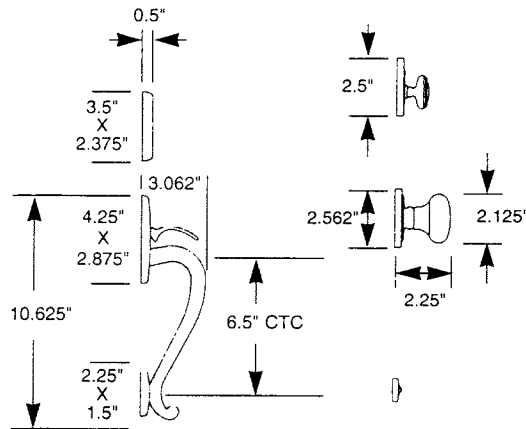


Logan Sectional Trim

w/ 5025 Egg knob



Item #	Description	Wt.	031, 050, 102	003, 055
			112, 150, 151	056, 402
			190, 260, 264	412, 452
85335.xxx.ENTR	Single cylinder handleset with interior knob	5.7	\$425	\$500
85335.xxx.DBLC	Double cylinder handleset with interior knob	5.8	455	530
85335.xxx.FD	Full dummy set with interior knob	4.3	365	440

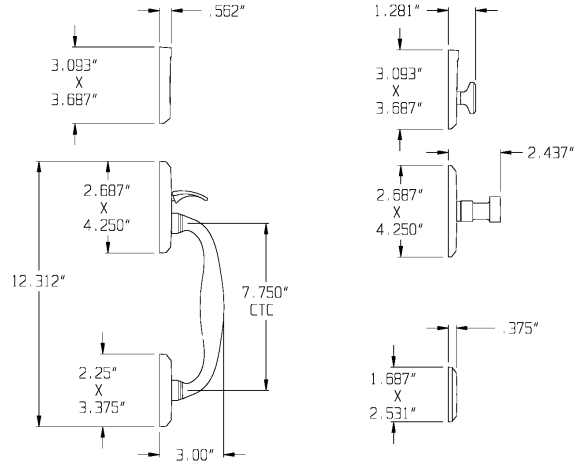


Tahoe Sectional Trim

w/ 5023 Tahoe knob or 5465V Tahoe lever



Item #	Description	Wt.	031, 050, 102	003, 055
			112, 150, 151	056, 402
			190, 260, 264	412, 452
85325.xxx.ENTR	Single cylinder handleset with interior knob	5.8	\$425	\$500
85325.xxx.DBLC	Double cylinder handleset with interior knob	6.1	455	530
85325.xxx.FD	Full dummy set with interior knob	4.6	365	440
85325.xxx.RENT	Single cylinder handleset with lever – RH Entry	6.8	425	500
85325.xxx.LENT	Single cylinder handleset with lever – LH Entry	6.8	425	500
85325.xxx.RDBL	Double cylinder handleset with lever RH Entry	6.1	455	530
85325.xxx.LDBL	Double cylinder handleset with lever LH Entry	6.1	455	530
85325.xxx.RFD	Full dummy set with lever – RH Dummy	5.6	365	440
85325.xxx.LFD	Full dummy set with lever – LH Dummy	5.6	365	440

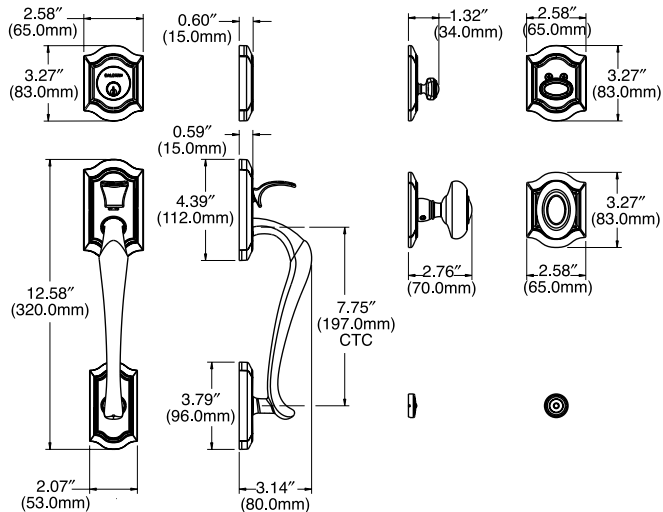


Bethpage Sectional Trim

w/ 5077 Bethpage knob or 5447V Bethpage lever



Item #	Description	Wt.	031, 050, 102	003, 055
			112, 150, 151	056, 402
			190, 260, 264	412, 452
85327.xxx.ENTR	Single cylinder handleset with interior knob	5.8	\$425	\$500
85327.xxx.DBLC	Double cylinder handleset with interior knob	6.1	455	530
85327.xxx.FD	Full dummy set with interior knob	4.6	365	440
85327.xxx.RENT	Single cylinder handleset with lever – RH Entry	6.8	425	500
85327.xxx.LENT	Single cylinder handleset with lever – LH Entry	6.8	425	500
85327.xxx.RDBL	Double cylinder handleset with lever – RH Entry	7.1	455	530
85327.xxx.LDBL	Double cylinder handleset with lever – LH Entry	7.1	455	530
85327.xxx.RFD	Full dummy set with lever – RH Dummy	5.6	365	440
85327.xxx.LFD	Full dummy set with lever – LH Dummy	5.6	365	440



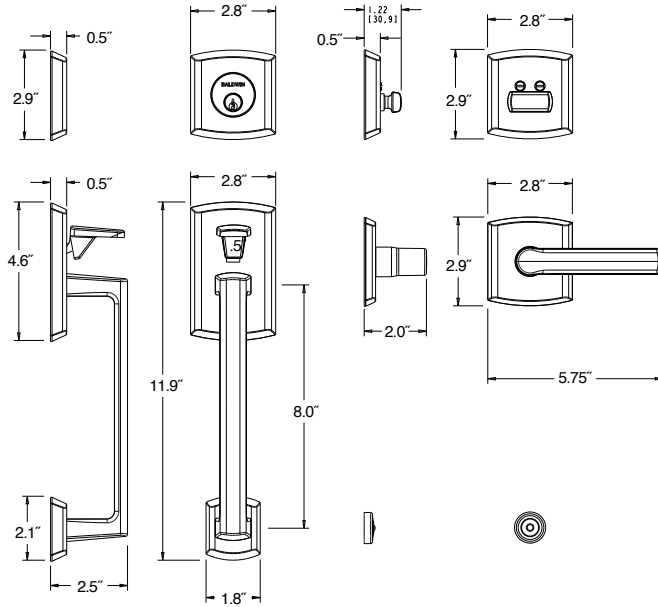
ENTRANCE SETS, TUBULAR SECTIONAL

Soho Sectional Trim

w/ 5485V lever



.RENT or .LENT



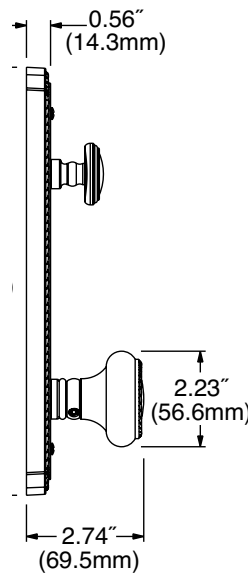
Item #	Description	Wt.	031, 050, 102	003, 055
			112, 150, 151	056, 402
			190, 260, 264	412, 452
85386.xxx.RENT	Single cylinder handleset w/ Lever – RH Entry	6.8	\$425	\$500
85386.xxx.LENT	Single cylinder handleset w/ Lever – LH Entry			
85386.xxx.RDBL	Double cylinder handleset w/ Lever – RH Entry	7.1	455	530
85386.xxx.LDBL	Double cylinder handleset w/ Lever – LH Entry			
85386.xxx.RFD	Full dummy set w/ Lever – RH Dummy	5.6	365	440
85386.xxx.LFD	Full dummy set w/ Lever – LH Dummy			

Bristol Sectional Egress Handleset

w/ 5064 knob



.ENTR

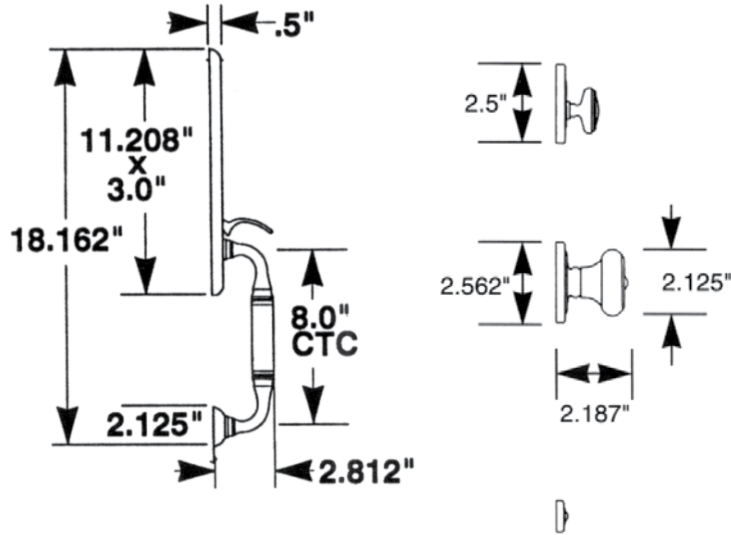


Item #	Description	Wt.	031, 050, 102	003, 055
			112, 150, 151	056, 402
			190, 260, 264	412, 452
6420.xxx.ENTR	Single cylinder handleset with interior knob	8.7	\$575	\$650
6420.xxx.FD	Full dummy set with interior knob	6.7	515	590

Adjustable backset latch and deadbolt – 2.375" & 2.75"

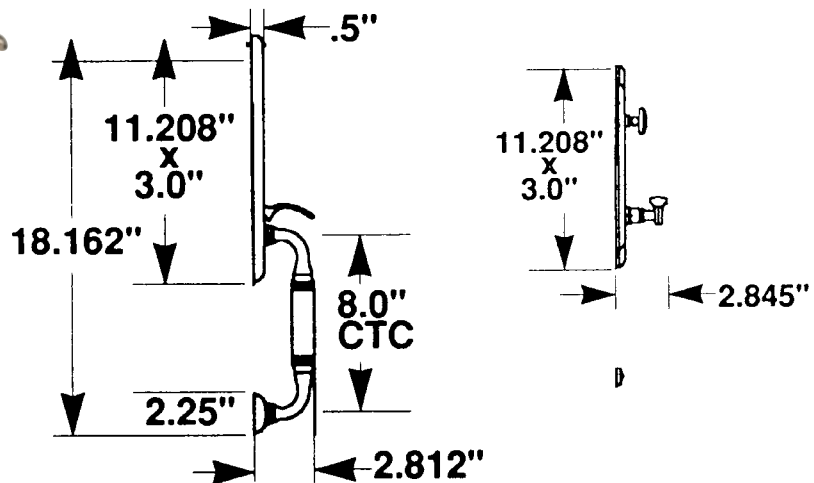
Nantucket Escutcheon Trim
 w/ 5020 Colonial knob

Item #	Description	Wt.	031, 050, 102	003, 055
			112, 150, 151	056, 402
			190, 260, 264	412, 452
85370.xxx.ENTR	Single cylinder handleset with interior knob	6.8	\$475	\$550
85370.xxx.DBLC	Double cylinder handleset with interior knob	7.0	505	580
85370.xxx.FD	Full dummy set with interior knob	5.1	415	490



Manchester Emergency Egress Handleset
 w/ 5455V Wave lever

Item #	Description	Wt.	031, 050, 102	003, 055
			112, 150, 151	056, 402
			190, 260, 264	412, 452
85350.xxx.ENTR	Single cylinder handleset – less lever, emergency egress-active	5.7	\$475	\$550
85350.xxx.FD	Full dummy set less lever - inactive	4.3	415	490
85350.xxx.RENT	Single cylinder handleset w/ lever, emergency egress – RH Entry	8.3	525	600
85350.xxx.LENT	Single cylinder handleset w/ lever, emergency egress – LH Entry	8.3	525	600
85350.xxx.RFD	Full dummy set with lever – RH Dummy	6.2	465	540
85350.xxx.LFD	Full dummy set with lever – LH Dummy	6.2	465	540



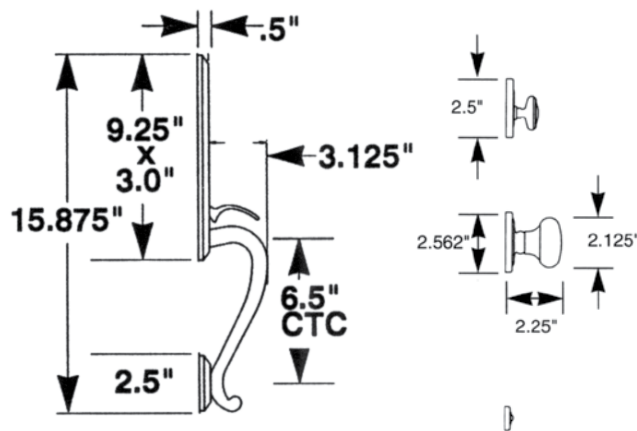
ENTRANCE SETS, TUBULAR 3/4 ESCUTCHEON

Glennon Escutcheon Trim

w/ 5015 Classic knob



Item #	Description	Wt.	031, 050, 102	003, 055
			112, 150, 151	056, 402
			190, 260, 264	412, 452
85375.xxx.ENTR	Single cylinder handleset with interior knob	6.4	\$475	\$550
85375.xxx.DBLC	Double cylinder handleset with interior knob	6.6	505	580
85375.xxx.FD	Full dummy set with interior knob	4.7	415	490

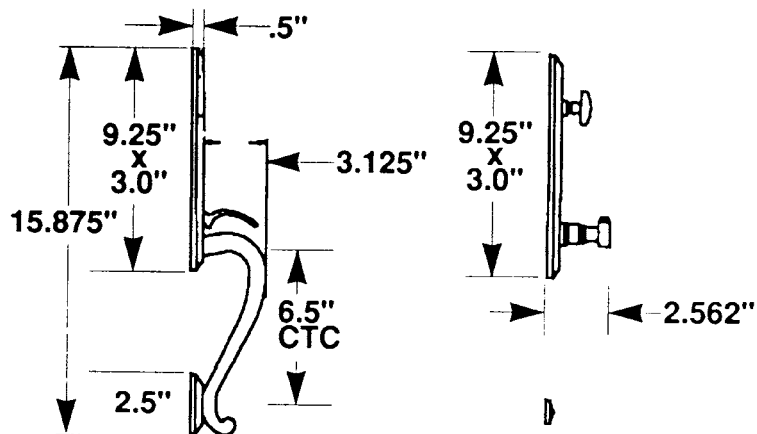


Stonegate Emergency Egress Handleset

w/ 5445V Classic lever



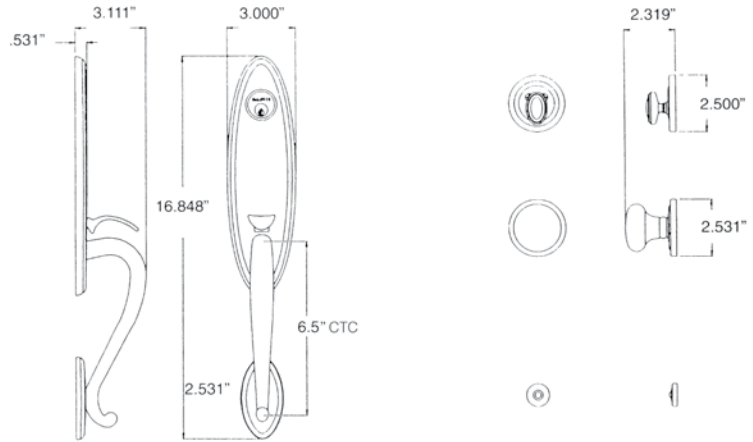
Item #	Description	Wt.	031, 050, 102	003, 055
			112, 150, 151	056, 402
			190, 260, 264	412, 452
85355.xxx.ENTR	Single cylinder handleset – less lever, emergency egress – active	5.7	\$475	\$550
85355.xxx.FD	Full dummy set less lever - inactive	4.3	415	490
85355.xxx.RENT	Single cylinder handleset w/ lever, emergency egress – RH Entry	8.1	525	600
85355.xxx.LENT	Single cylinder handleset w/ lever, emergency egress – LH Entry	8.1	525	600
85355.xxx.RFD	Full dummy set with lever – RH Dummy	5.9	465	540
85355.xxx.LFD	Full dummy set with lever – LH Dummy	5.9	465	540



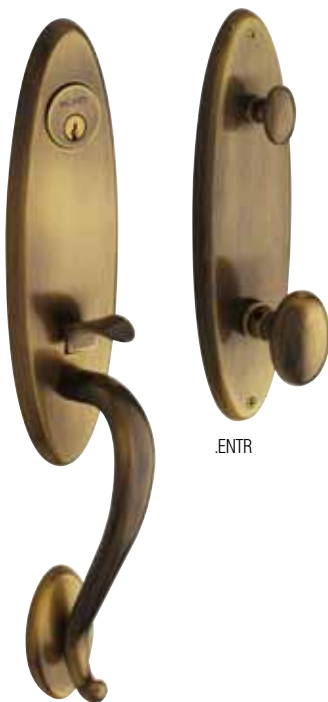
Buckingham Escutcheon Trim
 w/ 5015 Classic knob



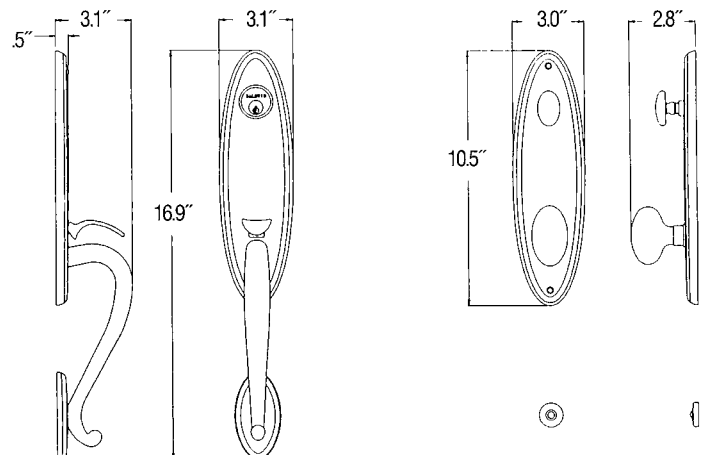
Item #	Description	Wt.	031, 050, 102	003, 055
			112, 150, 151	056, 402
			190, 260, 264	412, 452
85380.xxx.ENTR	Single cylinder handleset with interior knob	6.8	\$475	\$550
85380.xxx.DBLC	Double cylinder handleset with interior knob	7.0	505	450
85380.xxx.FD	Full dummy set with interior knob	5.1	415	490



Blakely Emergency Egress Handleset
 w/ 5025 Egg knob



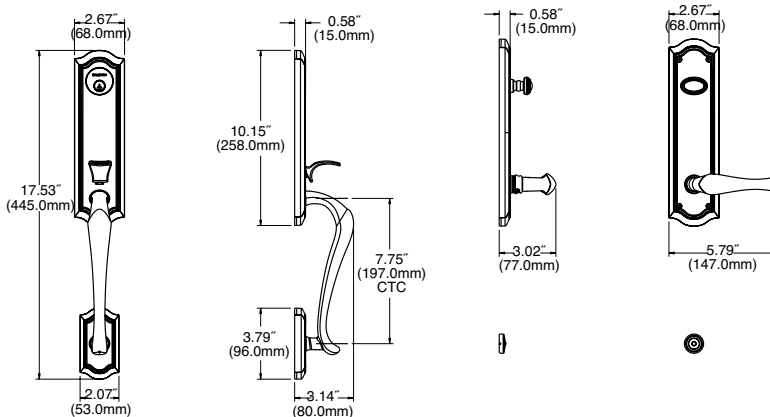
Item #	Description	Wt.	031, 050, 102	003, 055
			112, 150, 151	056, 402
			190, 260, 264	412, 452
85360.xxx.ENTR	Single cylinder handleset with interior knob	6.8	\$525	\$600
85360.xxx.FD	Full dummy set with interior knob	5.1	465	540



ENTRANCE SETS, TUBULAR 3/4" | FULL ESCUTCHEON

Bethpage Emergency Egress Handleset

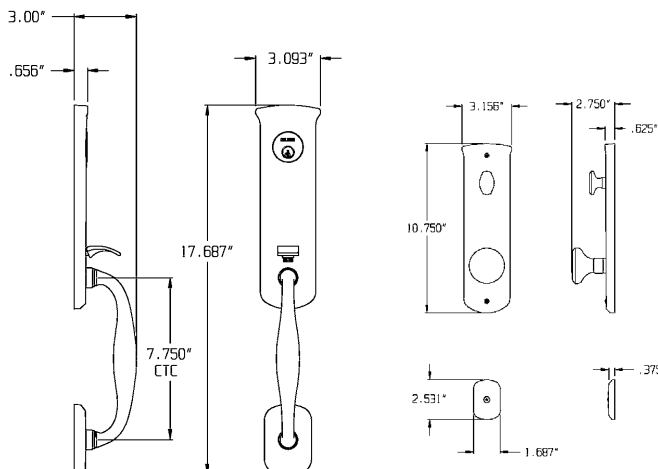
w/ 5077 Bethpage knob or 5447V Bethpage lever



Item #	Description	Wt.	031, 050, 102	003, 055
			112, 150, 151	056, 402
			190, 260, 264	412, 452
85337.xxx.ENTR	Single cylinder handleset with interior knob, emergency egress	6.8	\$625	\$700
85337.xxx.FD	Full dummy set with interior knob	5.4	565	640
85337.xxx.RENT	Single cylinder handleset w/ lever, emergency egress – RH Entry	7.8	625	700
85337.xxx.LENT	Single cylinder handleset w/ lever, emergency egress – LH Entry			
85337.xxx.RFD	Full dummy set with lever – RH Dummy	6.2	565	640
85337.xxx.LFD	Full dummy set with lever – LH Dummy			

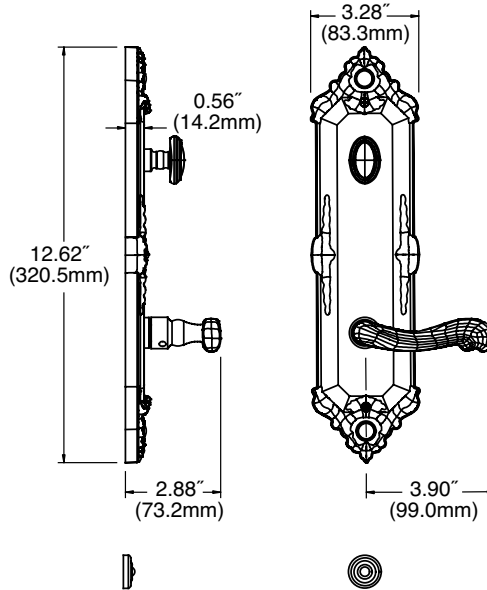
Tahoe Emergency Egress Handleset

w/ 5023 Tahoe knob or 5465V Tahoe lever



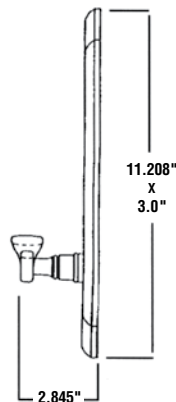
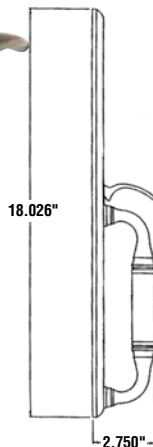
Item #	Description	Wt.	031, 050, 102	003, 055
			112, 150, 151	056, 402
			190, 260, 264	412, 452
85340.xxx.ENTR	Single cylinder handleset with knob, emergency egress	6.7	\$625	\$700
85340.xxx.FD	Full dummy set with interior knob	5.1	565	640
85340.xxx.RENT	Single cylinder handleset w/ lever, emergency egress – RH Entry	7.8	625	700
85340.xxx.LENT	Single cylinder handleset w/ lever, emergency egress – LH Entry			
85340.xxx.RFD	Full dummy set with lever – RH Dummy	6.1	565	640
85340.xxx.LFD	Full dummy set with lever – LH Dummy			

Kensington Emergency Egress Handleset
 w/5108 Lever



Item #	Description	Wt.	031, 050, 102	003, 055
			112, 150, 151	056, 402
6426.xxx.RENT	Single cylinder handleset with RIGHT lever, emergency egress	10.8	\$575	\$650
6426.xxx.LENT	Single cylinder handleset with LEFT lever, emergency egress			
6426.xxx.RFD	Full dummy set with RIGHT lever	8.5	515	590
6426.xxx.LFD	Full dummy set with LEFT lever			

6401 – Devonshire Emergency Egress Handleset
 w/5152 Lever



Item #	Description	Wt.	031, 033	003, 055
			034, 040	056, 402
6401.xxx.RENT	Single cylinder handleset with RIGHT lever, emergency egress	8.3	\$625	\$700
6401.xxx.LENT	Single cylinder handleset with LEFT lever, emergency egress			
6401.xxx.RFD	Full dummy set with RIGHT lever	6.2	565	640
6401.xxx.LFD	Full dummy set with LEFT lever			
6401.xxx.ENTR	Single cylinder handleset emergency egress less lever	8.3	575	650
6401.xxx.FD	Full dummy set less lever			

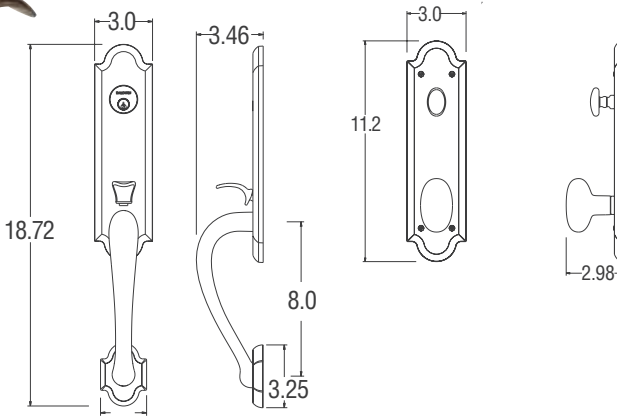
Adjustable backset latch and deadbolt – 2.375" & 2.75"

LEVER: 5152
 Available as pre-pack set only.
 Includes emergency egress on active set.
 Split finish available.

ENTRANCE SETS, TUBULAR 3/4 | FULL ESCUTCHEON

Boulder 3/4 Escutcheon Handleset Emergency Egress

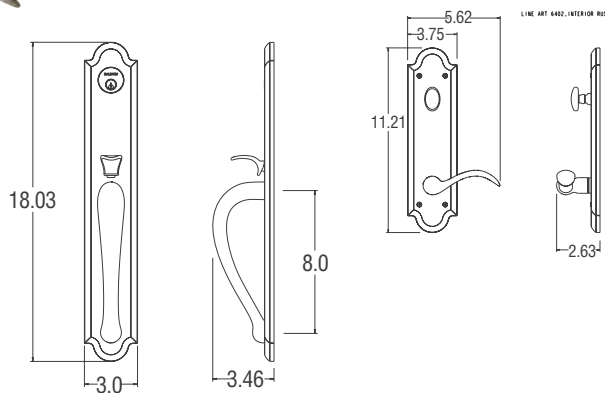
w/ 5024 Oval knob or 5452V Beavertail lever



Item #	Description	Wt.	031, 050, 102	003, 055
			112, 150, 151	056, 402
			190, 260, 264	412, 452
85354.xxx.ENTR	Single cylinder handleset with interior knob, emergency egress	7.3	\$625	\$700
85354.xxx.FD	Full dummy set with interior knob	5.7	565	640
85354.xxx.RENT	Single cylinder handleset w/ lever, emergency egress – RH Entry	7.3	625	700
85354.xxx.LENT	Single cylinder handleset w/ lever, emergency egress – LH Entry	7.3	625	700
85354.xxx.RFD	Full dummy set with lever – RH Dummy	5.7	565	640
85354.xxx.LFD	Full dummy set with lever – LH Dummy	5.7	565	640

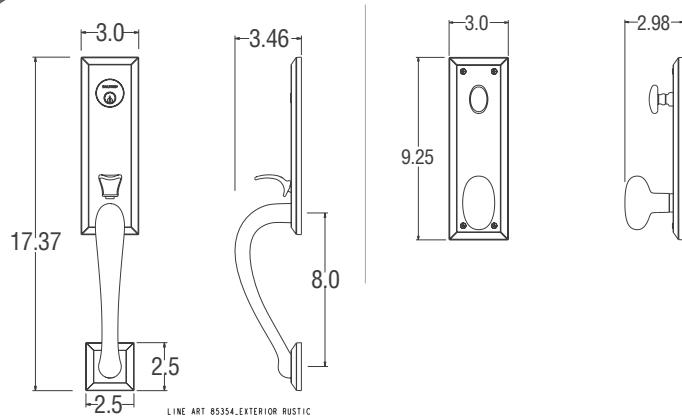
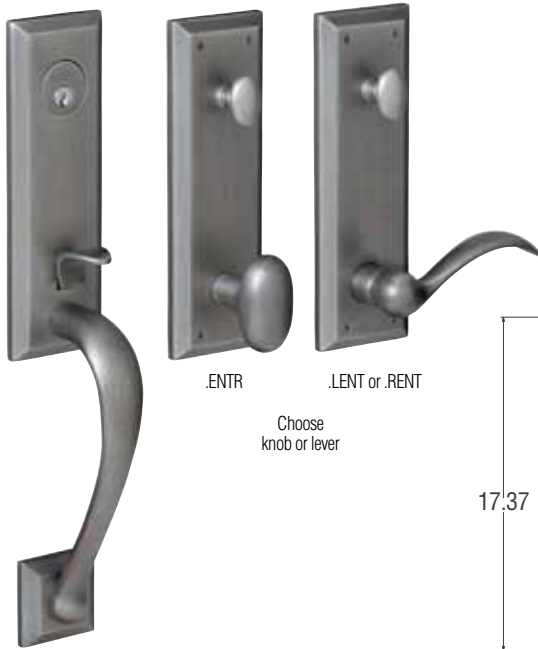
Boulder Full Escutcheon Handleset Emergency Egress

w/ 5024 Oval knob or 5452V Beavertail lever



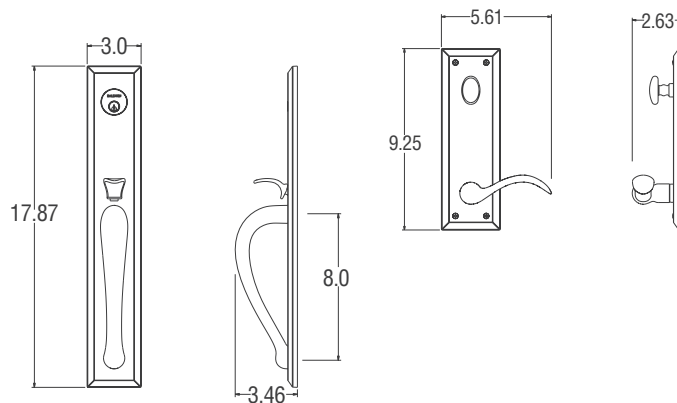
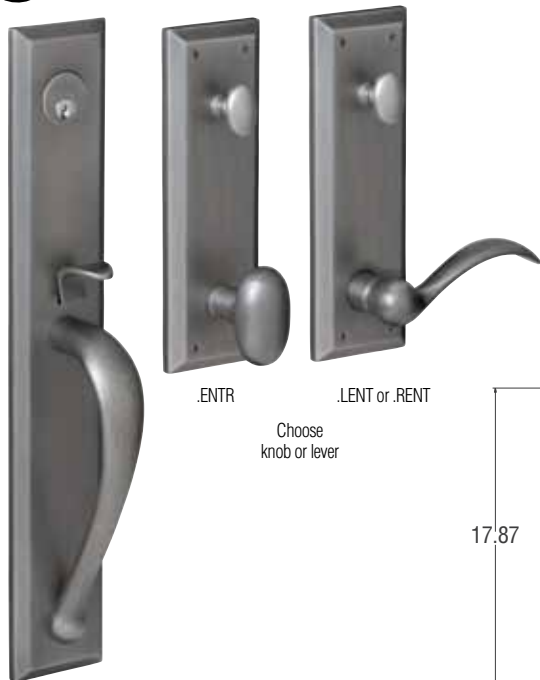
Item #	Description	Wt.	031, 050, 102	003, 055
			112, 150, 151	056, 402
			190, 260, 264	412, 452
6402.xxx.ENTR	Single cylinder handleset with interior knob, emergency egress	9.2	\$625	\$700
6402.xxx.FD	Full dummy set with interior knob	7.2	565	640
6402.xxx.RENT	Single cylinder handleset with lever, emergency egress – RH Entry	9.2	625	700
6402.xxx.LENT	Single cylinder handleset with lever, emergency egress – LH Entry	9.2	625	700
6402.xxx.RFD	Full dummy set with lever – RH Dummy	7.2	565	640
6402.xxx.LFD	Full dummy set with lever – LH Dummy	7.2	565	640

Cody $\frac{3}{4}$ Escutcheon Handleset Emergency Egress
 w/ 5024 Oval knob or 5452V Beavertail lever



Item #	Description	Wt.	031, 050, 102	003, 055
			112, 150, 151	056, 402
			190, 260, 264	412, 452
85352.xxx.ENTR	Single cylinder handleset with interior knob, emergency egress	7.3	\$625	\$700
85352.xxx.FD	Full dummy set with interior knob	5.7	565	640
85352.xxx.RENT	Single cylinder handleset w/ lever, emergency egress – RH Entry	7.3	625	700
85352.xxx.LENT	Single cylinder handleset w/ lever, emergency egress – LH Entry	7.3	625	700
85352.xxx.RFD	Full dummy set with lever – RH Dummy	5.7	565	640
85352.xxx.LFD	Full dummy set with lever – LH Dummy	5.7	565	640

Cody Full Escutcheon Handleset Emergency Egress
 w/ 5024 Oval knob or 5452V Beavertail lever



Item #	Description	Wt.	031, 050, 102	003, 055
			112, 150, 151	056, 402
			190, 260, 264	412, 452
6403.xxx.ENTR	Single cylinder handleset with interior knob, emergency egress	9.2	\$625	\$700
6403.xxx.FD	Full dummy set with interior knob	7.2	565	640
6403.xxx.RENT	Single cylinder handleset w/ lever, emergency egress – RH Entry	9.2	625	700
6403.xxx.LENT	Single cylinder handleset w/ lever, emergency egress – LH Entry	9.2	625	700
6403.xxx.RFD	Full dummy set with lever – RH Dummy	7.2	565	640
6403.xxx.LFD	Full dummy set with lever – LH Dummy	7.2	565	640

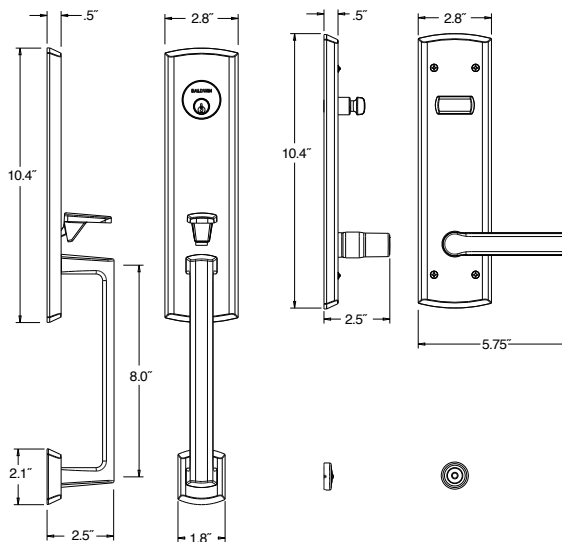
ENTRANCE SETS, TUBULAR 3/4 ESCUTCHEON | TWO POINT LOCKING

Soho 3/4 Escutcheon Handleset Emergency Egress

w/ 5485V lever



.RENT or .LENT



Item #	Description	Wt.	031, 050, 102	003, 055
			112, 150, 151	056, 402
85387.xxx.RENT	Single cylinder handlesetw/ Lever – RH Entry , Emergency Egress	7.8	\$625	\$700
85387.xxx.LENT	Single cylinder handlesetw/ Lever – LH Entry , Emergency Egress			
85387.xxx.RFD	Full dummy set w/ Lever – RH Dummy	6.2	565	458
85387.xxx.LFD	Full dummy set w/ Lever – LH Dummy			

Ashton Two-Point Lock Handleset

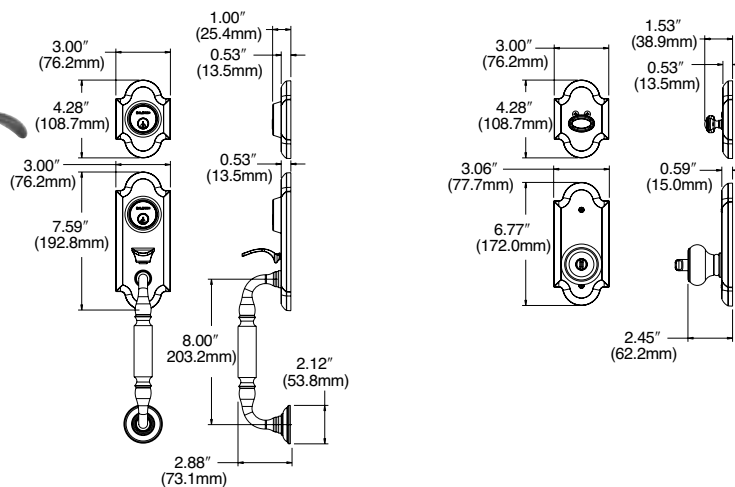
w/ 5210 Colonial knob or 5255 Wave lever



.2ENT

.2LH or .2RH

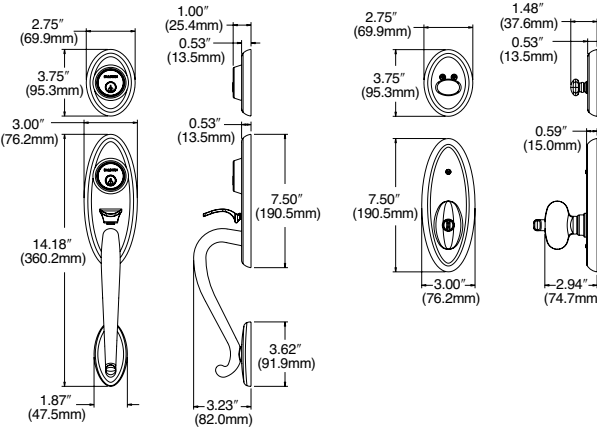
Choose knob or lever



Item #	Description	Wt.	031, 050, 102	003, 055
			112, 150, 151	056, 402
85365.xxx.2ENT	Single cylinder handleset with interior knob	9.2	\$525	\$600
85365.xxx.2DC	Double cylinder handleset with interior knob	8.9	555	630
85365.xxx.2FD	Full dummy set with interior knob	8.6	465	540
85365.xxx.2RH	Single cylinder handleset with lever – RH Entry	8.8	525	600
85365.xxx.2LH	Single cylinder handleset with lever – LH Entry			
85365.xxx.2DCR	Double cylinder handleset with lever – RH Entry	8.5	555	630
85365.xxx.2DCL	Double cylinder handleset with lever – LH Entry			
85365.xxx.2RFD	Full dummy set with lever – RH Dummy	8.1	465	540
85365.xxx.2LFD	Full dummy set with lever – LH Dummy			

Landon Two-Point Lock Handleset

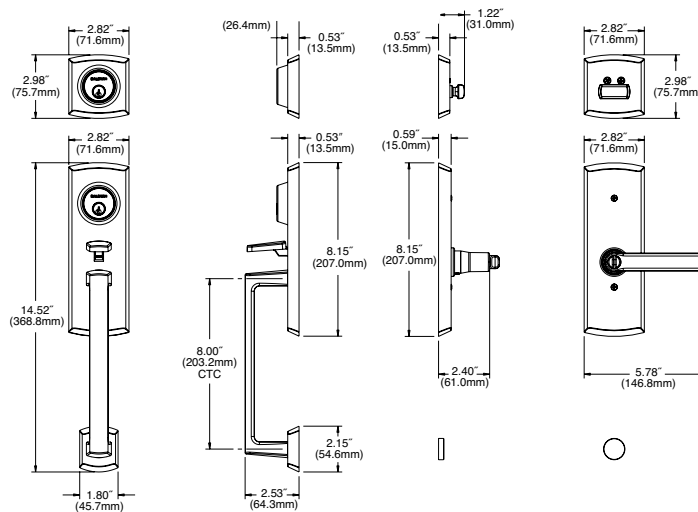
w/ 5225 Egg knob or 5225 Wave lever



Item #	Description	Wt.	031, 050, 102	003, 055
			112, 150, 151	056, 402
			190, 260, 264	412, 452
85345.xxx.2ENT	Single cylinder handleset with interior knob	8.8	\$525	\$600
85345.xxx.2DC	Double cylinder handleset with interior knob	8.6	555	630
85345.xxx.2FD	Full dummy set with interior knob	8.1	465	540
85345.xxx.2RH	Single cylinder handleset with lever – RH Entry	8.3	525	600
85345.xxx.2LH	Single cylinder handleset with lever – LH Entry			
85345.xxx.2DCR	Double cylinder handleset with lever – RH Entry	8.1	555	630
85345.xxx.2DCL	Double cylinder handleset with lever – LH Entry			
85345.xxx.2RFD	Full dummy set with lever – RH Dummy	7.7	465	540
85345.xxx.2LFD	Full dummy set with lever – LH Dummy			

Soho Two-Point Lock Handleset

w/ Soho lever



Item #	Description	Wt.	031, 050, 102	003, 055
			112, 150, 151	056, 402
			190, 260, 264	412, 452
85385.xxx.2RH	Single cylinder handleset with lever – RH Entry	9.7	\$525	\$600
85385.xxx.2LH	Single cylinder handleset with lever – LH Entry			
85385.xxx.2DCR	Double cylinder handleset with lever – RH Entry	9.4	555	630
85385.xxx.2DCL	Double cylinder handleset with lever – LH Entry			
85385.xxx.2RFD	Full dummy set with lever – RH Dummy	8.9	465	540
85385.xxx.2LFD	Full dummy set with lever – LH Dummy			

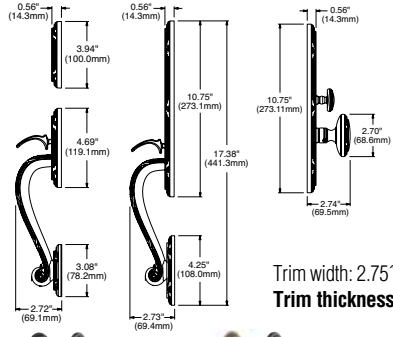
ENTRANCE TRIM, MORTISE EDINBURGH



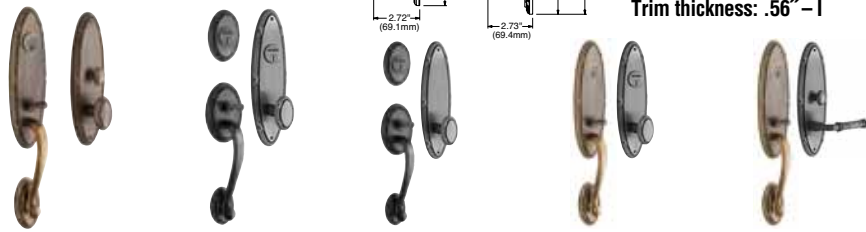
030, 031
033, 034, 040
050, 060, 102 **003, 055**
112, 150, 151 **056, 402**
190, 260, 264 **412, 452**

	Item #	Description	Set	Wt.		
SET	6515.xxx.ENTR	Entrance Trim — Edinburgh sectional	Set	-		
	6515.xxx.DBLC	Double Cylinder	Set	-	\$475	\$550
	6515.xxx.FD	Full Dummy	Set	-		
EXT	6515.xxx.ENFD†	1 Active Entrance Set + 1 Full Dummy Set	2 Sets	-	950'	1100'
	6638.xxx	Active Exterior Trim	Each	-	355	400
	6638.xxx.DM	Dummy Exterior Trim	Each	-		
SET	6516.xxx.ENTR	Entrance Trim — Oval Edinburgh	Set	-		
	6516.xxx.DBLC	Double Cylinder	Set	-	475	550
	6516.xxx.FD	Full Dummy	Set	-		
EXT	6639.xxx	Active Exterior Trim	Each	-	355	400
	6639.xxx.DM	Dummy Exterior Trim	Each	-		
	Interior Escutcheon —					
INTERIOR	6515.xxx.KC	Cut for Cylinder (KC), Double Cylinder	Each	-		
	6515.xxx.KE**	Cut for Emergency Release (KE)	Each	-	185	220
	6515.xxx.KN	Cut for Knob (KN), Passage/Dummy	Each	-		
	6515.xxx.KT	Interior Escutcheon w/ Turn Knob (KT)	Each	-	220	260

NOTE: 030 is not available with Entry Trim or KC escutcheons
†.ENFD only available in 050, 112 & 190, to ensure a finish match on all components.

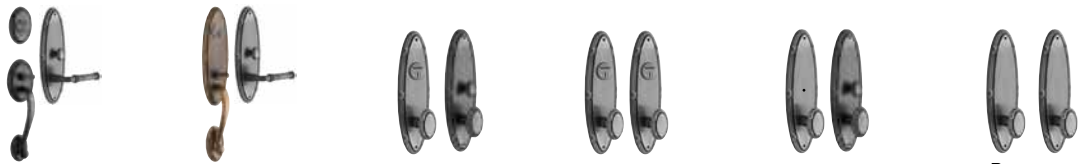


Trim width: 2.75"
Trim thickness: .56" - I



Sets

	6515.xxx.ENTR Sectional	6516.xxx.ENTR Oval	6515.xxx.DBLC Sectional	6515.xxx.FD Sectional	6516.xxx.DBLC Oval	6516.xxx.FD Oval
Exterior Trim	6638.xxx	6639.xxx	6638.xxx	6638.xxx.DM	6639.xxx	6639.xxx.DM
Interior Escutcheon	6515.xxx.KT	6515.xxx.KT	6515.xxx.KC	6515.xxx.KN	6515.xxx.KC	6515.xxx.KN
Knob/Lever	5031.xxx.IMR	5031.xxx.IMR	5031.xxx.IMR	5031.xxx.IMR	5031.xxx.IMR	5031.xxx.IMR
Spindle	0530 - 2.375" Half Spindle	0533.004 (2.25" Half)	0530.004 (2.375" Half)	5092 (1.125" Dummy)	0530 (2.375" Half)	5092 (1.125" Dummy)
Cylinder	8325 for 1.75" door	8325 for 1.75" door	Double	6761 (Dummy)	Double	6761 (Dummy)
Mortise Lock	•	•	•		•	



Designer

	Entrance	Entrance	Single Cylinder	Double Cylinder	Privacy	Passage
Exterior Trim	6638.xxx	6639.xxx	6515.xxx.KC	6515.xxx.KC	6515.xxx.KE**	
Interior Escutcheon	6515.xxx.KT	6515.xxx.KT	6515.xxx.KT	6515.xxx.KC	6515.xxx.KT	6515.xxx.KN (x2)
Knob/Lever	Half Pair	Half Pair	Pair	Pair	Pair	Pair
Spindle	•	•	•	•	•	•
Cylinder	•	•	•	• (Double)	•	•
Mortise Lock	•	•	•	•	•	•
Blocking Ring				•		

REQUIRED

SEE BACK COVER FLAP for easy-ordering charts and requirements for doors thicker than 1.75"

MUST ORDER SEPARATELY

shown in grey

** (All .KE hardware include 6701 ER cover)

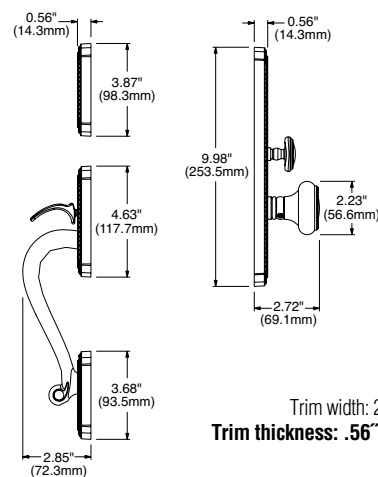
BALDWIN



**030, 031,
033, 034, 040,
050, 060, 102,
112, 150, 151,
190, 260, 264** **003, 055
056, 402
412, 452**

	Item #	Description	Set	Wt.	
SET	6520.xxx.ENTR	Entrance Trim	Set		
	6520.xxx.DBLC	Double Cylinder	Set	\$475	\$550
	6520.xxx.FD	Full Dummy	Set		
	6520.xxx.ENFD†	1 Active Entrance Set + 1 Full Dummy Set	2 Sets	950†	1100†
EXT	6640.xxx	Active Exterior Trim	Each		
	6640.xxx.DM	Dummy Exterior Trim	Each	355	400
INTERIOR	Interior Escutcheon –				
	6520.xxx.KC	Cut for Cylinder (KC), Double Cylinder	Each		
	6520.xxx.KE**	Cut for Emergency Release (KE)	Each	185	220
	6520.xxx.KN	Cut for Knob (KN), Passage/Dummy	Each		
	6520.xxx.KT	Interior Escutcheon w/ Turn Knob (KT)	Each	220	260

NOTE: 030 is not available with Entry Trim or KC escutcheons
†.ENFD only available in 050, 112 & 190, to ensure a finish match on all components.



Sets	6520.xxx.ENTR	6520.xxx.DBLC	6520.xxx.FD
Exterior Trim	6640.xxx	6640.xxx	6640.xxx.DM
Interior Escutcheon	6520.xxx.KT	6520.xxx.KC	6520.xxx.KN
Knob/Lever	5064.xxx.IMR	5064.xxx.IMR	5064.xxx.IMR
Spindle	0530 - 2.375" Half Spindle	0533.004 (2.375" Half)	5092 (1.125" Dummy)
Cylinder	8325 for 1.75" door	Double	Dummy
Mortise Lock	•	•	
Blocking Ring		•	



Designer	Entrance	Entrance	Double Cylinder	Privacy	Passage
Exterior Trim	6640.xxx	6520.xxx.KC	6520.xxx.KC	6520.xxx.KE**	
Interior Escutcheon	6520.xxx	6520.xxx.KT	6520.xxx.KC	6520.xxx.KT	6520.xxx.KN (x2)
Knob/Lever	Half Pair	Pair	Pair	Pair	Pair
Spindle	•	•	•	•	•
Cylinder	•	•	• (Double)		
Mortise Lock	•	•	•	• Latch & Mortise Bolt or Lock	• Latch or Mortise Lock
Blocking Ring			•		
Turn Knob					

REQUIRED

SEE BACK COVER FLAP for easy-ordering charts and requirements for doors thicker than 1.75"

** (All .KE hardware include 6701 ER cover)

MUST ORDER SEPARATELY
shown in grey

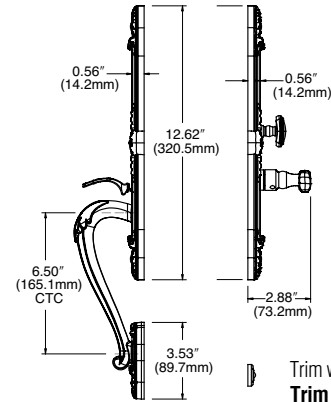
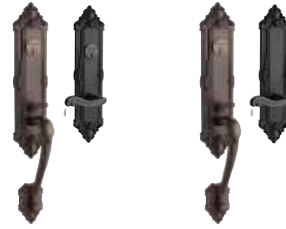
ENTRANCE TRIM, MORTISE KENSINGTON



030, 031
033, 034, 040
050, 060, 102 **003, 055**
112, 150, 151 **056, 402**
190, 260, 264 **412, 452**

	Item #	Description	Set	Wt.	
SET	6526.xxx.RENT (LENT)	Entrance Trim	Set		
	6526.xxx.RDBL (LDBL)	Double Cylinder	Set	\$475	\$550
	6526.xxx.RFD (LFD)	Full Dummy	Set		
	6526.xxx.ENFD†	1 Active Entrance Set + 1 Full Dummy Set	2 Sets	950†	1100†
EXT	6643.xxx	Active Exterior Trim	Each		
	6643.xxx.DM	Dummy Exterior Trim	Each	355	400
INTERIOR		Interior Escutcheon –			
	6525.xxx.KC	Cut for Cylinder (KC), Double Cylinder	Each		
	6525.xxx.KE**	Cut for Emergency Release (KE)	Each	185	220
	6525.xxx.KN	Cut for Knob (KN), Passage/Dummy	Each		
	6525.xxx.KT	Interior Escutcheon w/ Turn Knob (KT)	Each	220	260

†.ENFD only available in 050, 112 & 190, to ensure a finish match on all components.



Trim width: 2.5"
Trim thickness: .56" – 1"

Sets	6526.xxx.RENT (LENT)	6526.xxx.DBLC	6526.xxx.RFD (LFD)
Exterior Trim	6643.xxx	6643.xxx	6643.xxx.DM
Interior Escutcheon	6525.xxx.KT	6525.xxx.KT	6525.xxx.KN
Knob/Lever	5108.xxx.RMR (LMR)	5108.xxx.RMR (LMR)	5108.xxx.RMR (LMR)
Spindle	0530 (2.375" Half)	0533.004 (2.25" Half)	5092 (1.125" Dummy)
Cylinder	8325 for 1.75" door	Double	6761 (Dummy)
Mortise Lock	• (Lever Strength)	• (Lever Strength)	
Blocking Ring		•	



Designer	Entrance	Entrance	Double Cylinder	Privacy	Passage
Exterior Trim	6643.xxx	6525.xxx.KC	6525.xxx.KC	6525.xxx.KE**	
Interior Escutcheon	6525.xxx.KT	6525.xxx.KT	6525.xxx.KC	6525.xxx.KT	6525.xxx.KN (x2)
Knob/Lever	Half Pair	Pair	Pair	Pair	Pair
Spindle	•	•	•	•	•
Cylinder	•	•	• (Double)		
Mortise Lock	• (Lever Strength)	• (Lever Strength)	• (Lever Strength)	Mortise Bolt or Mortise Lock	Latch or Interior Mortise Lock
Blocking Ring			•		
Turn Knob					

REQUIRED

SEE BACK COVER FLAP for easy-ordering charts and requirements for doors thicker than 1.75"

MUST ORDER SEPARATELY

shown in grey

** (All .KE hardware include 6701 ER cover)

BALDWIN

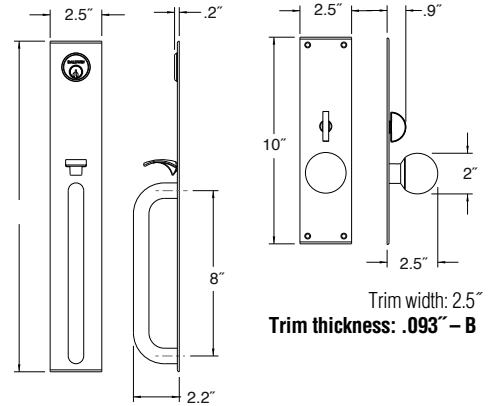


030, 031
033, 034, 040
050, 060, 102 **003, 055**
112, 150, 151 **056, 402**
190, 260, 264 **412, 452**



	Item #	Description	Wt.		
SET	6540.xxx.ENTR	Entrance Trim	Set	9.5	
	6540.xxx.DBLC	Double Cylinder	Set	\$475	\$550
	6540.xxx.FD	Full Dummy	Set		
	6540.xxx.ENFD†	1 Active Entrance Set + 1 Full Dummy Set	2 Sets	950†	1100†
EXT	6603.xxx	Active Exterior Trim	Each	355	400
	6603.xxx.DM	Dummy Exterior Trim	Each		
INTERIOR	6763.xxx.KC	Interior Escutcheon – Cut for Cylinder (KC), Double Cylinder	Each		
	6763.xxx.KE**	Cut for Emergency Release (KE)	Each	95	130
	6763.xxx.KN	Cut for Knob (KN), Passage/Dummy	Each		
	6763.xxx.KT	Interior Escutcheon w/ Turn Knob (KT)	Each	130	170

NOTE: 030 is not available with Entry Trim or KC escutcheons
†.ENFD only available in 050, 112 & 190, to ensure a finish match on all components.



Sets

	6540.xxx.ENTR	6540.xxx.DBLC	6540.xxx.FD
Exterior Trim	6603.xxx	6603.xxx	6603.xxx.DM
Interior Escutcheon	6763.xxx.KT	6763.xxx.KC	6763.xxx.KN
Knob/Lever	5041.xxx.IMR	5041.xxx.IMR	5041.xxx.IMR
Spindle	0530 (2.375" Half)	0530 (2.375" Half)	5092 (1.125" Dummy)
Cylinder	8325 for 1.75" door	Double	6761 (Dummy)
Mortise Lock	•	•	
Blocking Ring		•	



Designer

	Entrance	Entrance	Double Cylinder	Privacy	Passage
Exterior Trim	6603.xxx	6763.xxx.KC	6763.xxx.KC	6763.xxx.KE**	
Interior Escutcheon	6763.xxx.KE**	6763.xxx.KT	6763.xxx.KC	6763.xxx.KT	6763.xxx.KN (x2)
Knob/Lever	Half Pair	Pair	Pair	Pair	Pair
Spindle	•	•	•	•	•
Cylinder	•	•	• (Double)	•	
Mortise Lock	•	•	•	Mortise Bolt or Mortise Lock	Latch or Interior Mortise Lock
Blocking Ring			•		
Turn Knob	•				

REQUIRED

SEE BACK COVER FLAP for easy-ordering charts and requirements for doors thicker than 1.75"

** (All .KE hardware include 6701 ER cover)

MUST ORDER SEPARATELY
shown in grey

ENTRANCE TRIM, MORTISE SAN FRANCISCO



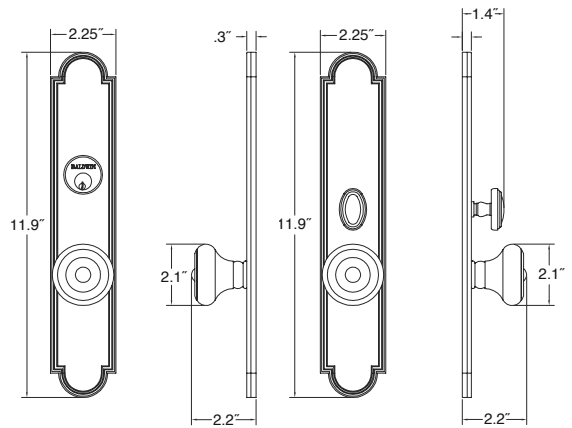
030, 031
033, 034, 040
050, 060, 102
112, 150, 151
190, 260, 264

003, 055
056, 402
412, 452



	Item #	Description	Wt.		
SET	6541.xxx.ENTR	Entrance Trim	Set	4.6	
	6541.xxx.DBLC	Double Cylinder	Set	\$475	\$550
	6541.xxx.FD	Full Dummy	Set		
EXT	6541.xxx.ENFD†	1 Active Entrance Set + 1 Full Dummy Set	2 Sets	950†	1100†
	6975.xxx	Active Exterior Trim only	Each	240	270
INTERIOR	6975.xxx.DM	Dummy Exterior only	Each		
		Interior Escutcheon –			
	6975.xxx.KC	Cut for Cylinder (KC), Double Cylinder	Each		
	6975.xxx.KE**	Cut for Emergency Release (KE**)	Each	185	220
	6975.xxx.KN	Cut for Knob (KN), Passage/Dummy	Each		
	6975.xxx.KT	Interior Escutcheon w/ Turn Knob (KT)	Each	220	260
6975.xxx.KP	Escutcheons Cut for Privacy (KP)	Pair	370	440	

NOTE: 030 is not available with Entry Trim or KC escutcheons
†.ENFD only available in 050, 112 & 190, to ensure a finish match on all components.



Trim thickness: .125" – C

Sets

	6541.xxx.ENTR	6541.xxx.DBLC	6541.xxx.FD
Exterior Trim	6975.xxx.KC	6975.xxx.KC	6975.xxx.DM
Interior Escutcheon	6975.xxx.KT	6975.xxx.KC	6975.xxx.KN
Knob/Lever	5020.xxx.MR (Pair)	5020.xxx.MR (Pair)	5020.xxx.MR (Pair)
Spindle	0520 (3.5" Swivel)	0520 (3.5" Straight)	0510 (3.5" Straight)
Cylinder	8322 (1.75" Door)	•	
Mortise Lock	•	•	
Blocking Ring		•	



Designer

	Entrance	Privacy	Passage
Exterior Trim	6975.xxx.KC	6975.xxx.KE**	
Interior Escutcheon	6975.xxx.KT	6975.xxx. (KT or .KP)	6975.xxx.KN (x2)
Knob/Lever	Pair	Pair	Pair
Spindle	•	•	•
Cylinder	•		
Mortise Lock	•	• (Mortise Bolt or Mortise Lock)	• (Latch or Mortise Lock)

REQUIRED

SEE BACK COVER FLAP for easy-ordering charts and requirements for doors thicker than 1.75"

MUST ORDER SEPARATELY

shown in grey

** (All .KE hardware include 6701 ER cover)

BALDWIN

ENTRANCE TRIM, MORTISE TREMONT



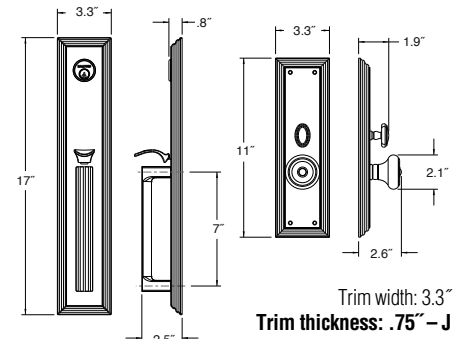
030, 031
033, 034, 040
050, 060, 102
112, 150, 151
190, 260, 264

003, 055
056, 402
412, 452



	Item #	Description	Wt.		
SET	6542.xxx.ENTR	Entrance Trim	Set	9.5	
	6542.xxx.DBLC	Double Cylinder	Set	\$775	\$850
	6542.xxx.FD	Full Dummy	Set		
	6542.xxx.ENFD†	1 Active Entrance Set + 1 Full Dummy Set	2 Sets	1550†	1700†
	6605.xxx.BB75	Entrance Back-to-Back	Set		
	6605.xxx.BB30	Entrance Back-to-Back	Set	1075	1150
EXT	6605.xxx.BBFD	Dummy Back-to-Back	Set		
	6605.xxx	Active Exterior Trim	Each	580	625
INTERIOR	6605.xxx.DM	Dummy Exterior Trim	Each		
	6796.xxx.KC	Interior Escutcheon – Cut for Cylinder (KC), Double Cylinder	Each		
	6796.xxx.KE**	Cut for Emergency Release (KE**)	Each	185	220
	6796.xxx.KN	Cut for Knob (KN), Passage/Dummy	Each		
	6796.xxx.KT	Interior Escutcheon w/ Turn Knob (KT)	Each	220	260
	6796.xxx.KP	Escutcheons Cut for Privacy (KP)	Pair	370	440

NOTE: 030 is not available with Entry Trim or KC escutcheons
†.ENFD only available in 050, 112 & 190, to ensure a finish match on all components.



Sets

	6542.xxx.ENTR	6542.xxx.DBLC	6542.xxx.FD	6605.xxx.BB75 (BB30, BBFD)
Exterior Trim	6605.xxx	6605.xxx	6605.xxx.DM	6605.xxx. (x2)
Interior Escutcheon	6796.xxx.KT	6796.xxx.KC	6796.xxx.KN	
Knob/Lever	5020.xxx.IMR	5020.xxx.IMR	5020.xxx.IMR	
Spindle	0531 (2.875" Half)	0531 (2.875" Half)	5077 (1.5" Double)	
Cylinder	8322 (1.75" Door)	(Double)	6761 (Dummy)	• (Double)
Mortise Lock	•	•		•
Blocking Ring		•		•



Designer

	Entrance	Entrance	Double Cylinder	Privacy	Passage
Exterior Trim	6605.xxx	6796.xxx.KC	6796.xxx.KC	6796.xxx.KE**	
Interior Escutcheon	6796.xxx.KE** (KE is cut for ER trim or Turn Knob – if standard Turn Knob is desired, order .KT)	6796.xxx.KT	6796.xxx.KC	6796.xxx.KT or .KP	6796.xxx.KN (x2)
Knob/Lever	6735 (Knob) / 5162.xxx.RMR (LMR) (Lever)	Pair	Pair	Pair	Pair
Spindle	•	•	•	•	•
Cylinder	•	•	• (Double)		
Mortise Lock	•	•	•	• (Mortise Bolt or Mortise Lock)	• (Latch or Interior Mortise Lock)
Blocking Ring			•		
Turn Knob					

REQUIRED

SEE BACK COVER FLAP for easy-ordering charts and requirements for doors thicker than 1.75"

** (All .KE hardware include 6701 ER cover)

MUST ORDER SEPARATELY
shown in grey

ENTRANCE TRIM, MORTISE LANCASTER / BOSTON

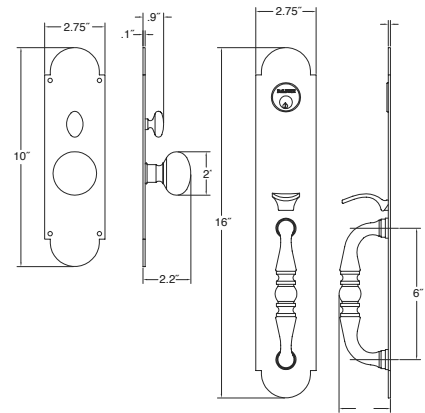


030, 031
033, 034, 040
050, 060, 102
112, 150, 151
190, 260, 264

003, 055
056, 402
412, 452

	Item #	Description	Wt.		
SET	6543.xxx.ENTR	Entrance Trim – Lancaster	Set	9.5	
	6543.xxx.DBLC	Double Cylinder	Set		\$475 \$550
	6543.xxx.FD	Full Dummy	Set		
	6543.xxx.ENFD†	1 Active Entrance Set + 1 Full Dummy Set	2 Sets		950† 1100†
	6635.xxx.BB75	Entrance Back-to-Back – 1.75" door	Set		
EXT	6635.xxx.BB30	Entrance Back-to-Back – up to 3" door	Set		775 850
	6635.xxx.BBFD	Dummy Back-to-Back	Set		
SET	6635.xxx	Active Exterior Trim only	Each		355 400
	6635.xxx.DM	Dummy Exterior only	Each		
	6555.xxx.ENTR	Entrance Trim – Boston	Set	4.2	
INTERIOR	6555.xxx.DBLC	Double Cylinder	Set		375 450
	6555.xxx.FD	Full Dummy	Set		
	6555.xxx.ENFD†	1 Active Entrance Set + 1 Full Dummy Set	2 Sets		750† 900†
	6797.xxx.KC	Cut for Cylinder (KC), Double Cylinder	Each		
	6797.xxx.KE**	Cut for Emergency Release (KE**)	Each		93 130
6797.xxx.KN	Cut for Knob (KN), Passage/Dummy	Each			
6797.xxx.KT	Interior Escutcheon w/ Turn Knob (KT)	Each		130 170	
6797.xxx.KP	Escutcheons Cut for Privacy (KP)	Pair		190 260	

NOTE: 030 is not available with Entry Trim or KC escutcheons
†.ENFD only available in 050, 112 & 190, to ensure a finish match on all components.



Trim width: 2.5"
Trim thickness: .093" – B

Lancaster Sets	6543.xxx.ENTR	6543.xxx.DBLC	6543.xxx.FD	6635.xxx.BB75 (BB30, BBFD)
Exterior Trim	6635.xxx	6635.xxx	6635.xxx.DM	6635.xxx (x2)
Interior Escutcheon	6797.xxx.KT	6797.xxx.KC	6797.xxx.KN	
Knob/Lever	5000.xxx.IMR	5000.xxx.IMR	5000.xxx.IMR	
Spindle	0530 (2.375" Half)	0530 (2.375" Half)	5092 (1.125" Dummy)	
Cylinder	8321 (1.75" Door)	• (Double)	6761 (Dummy)	• (Double)
Mortise Lock	•	•		•
Blocking Ring		•		•



Boston Sets	6555.xxx.ENTR	6555.xxx.DBLC	6555.xxx.FD
Exterior Trim	6797.xxx.KC	6797.xxx.KC	
Interior Escutcheon	6797.xxx.KT	6797.xxx.KC	6797.xxx.KN (x2)
Knob/Lever	5000.xxx.MR (Pair)	5000.xxx.MR (Pair)	5000.xxx.MR (Pair)
Spindle	0520 (3.5" Swivel)	0520 (3.5" Swivel)	0520 (3.5" Straight)
Cylinder	•	• (Double)	
Mortise Lock	•	•	
Blocking Ring		•	

REQUIRED

Designer	Lancaster Entrance	Boston Privacy
Exterior Trim	6635.xxx	6797.xxx.KE**
Interior Escutcheon	6797.xxx.KT	6797.xxx.KT or .KP
Knob/Lever	5106.xxx.RMR (LMR)	Pair
Spindle	•	•
Cylinder	•	
Mortise Lock	• (Lever Strength)	• (Lever Strength)
Blocking Ring		
Turn Knob		

SEE BACK COVER FLAP for easy-ordering charts and requirements for doors thicker than 1.75"

MUST ORDER SEPARATELY
shown in grey

** (All .KE hardware include 6701 ER cover)

BALDWIN

ENTRANCE TRIM, MORTISE HAMILTON / STANFORD



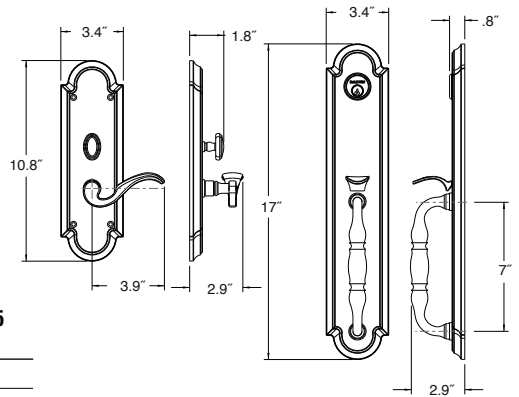
030, 031
033, 034, 040
050, 060, 102
112, 150, 151
190, 260, 264

003, 055
056, 402
412, 452



	Item #	Description	Wt.		
SET	6544.xxx.RENT (LENT)	Entrance Trim – Hamilton	Set	9.0	
	6544.xxx.RDBL (LDBL)	Double Cylinder	Set	\$775	\$850
	6544.xxx.RFD (LFD)	Full Dummy	Set		
	6544.xxx.ENFD†	1 Active Entrance Set + 1 Full Dummy Set	2 Sets	1550†	1700†
	6622.xxx.BB75	Entrance Back-to-Back – 1.75" door	Set		
EXT	6622.xxx.BB30	Entrance Back-to-Back – up to 3" door	Set	1075	1150
	6622.xxx.BBFD	Dummy Back-to-Back	Set		
SET	6622.xxx	Active Exterior Trim only	Each	580	625
	6622.xxx.DM	Dummy Exterior only	Each		
	6951.xxx.ENTR	Entrance Trim – Stanford	Set	6.0	
SET	6951.xxx.DBLC	Double Cylinder	Set	475	550
	6951.xxx.FD	Full Dummy	Set		
	6951.xxx.ENFD†	1 Active Entrance Set + 1 Full Dummy Set	2 Sets	950†	1100†
INTERIOR		Interior Escutcheon –			
	6791.xxx.KC	Cut for Cylinder (KC), Double Cylinder	Each		
	6791.xxx.KE**	Cut for Emergency Release (KE**)	Each		
	6791.xxx.KN	Cut for Knob (KN), Passage/Dummy	Each	185	220
	6791.xxx.KT	Interior Escutcheon w/ Turn Knob (KT)	Each	220	260

NOTE: 030 is not available with Entry Trim or KC escutcheons
†.ENFD only available in 050, 112 & 190, to ensure a finish match on all components.



Trim width: 3.375"
Trim thickness: .75" – J

Hamilton Sets	6544.xxx.RENT (LENT)	6544.xxx.RDBL (LDBL)	6544.xxx.RFD (LFD)	6622.xxx.BB75 (BB30, BBFD)
Exterior Trim	6622.xxx	6622.xxx	6622.xxx.DM	6622.xxx (x2)
Interior Escutcheon	6791.xxx.KT	6791.xxx.KC	6791.xxx.KN	
Knob/Lever	5152.xxx.RMR (LMR)	5152.xxx.RMR (LMR)	5152.xxx.RMR (LMR)	
Spindle	0531 (2.875" Half)	0531 (2.875" Half)	5077 (1.5" Dummy)	
Cylinder	8326 for 1.75" door	• (Double)	6761 (Dummy)	• (Double)
Mortise Lock	• (Lever Strength)	•		•
Blocking Ring		•		•

Stanford Sets	6951.xxx.ENTR	6951.xxx.DBLC	6951.xxx.FD
Exterior Trim	6791.xxx.KC	6791.xxx.KC	6791.xxx.KN (x2)
Interior Escutcheon	6791.xxx.KT	6791.xxx.KC	6791.xxx.KN (x2)
Knob/Lever	5152.xxx.MR (Pair)	5152.xxx.MR (Pair)	5152.xxx.MR (Pair)
Spindle	0524 (5.5" Swivel)	0524 (5.5" Swivel)	0514 (5.5" Straight)
Cylinder	•	• (Double)	
Mortise Lock	• (Lever Strength)	• (Lever Strength)	
Blocking Ring		•	

REQUIRED

Designer	Hamilton Entrance	Stanford Privacy
Exterior Trim	6622.xxx	6791.xxx.KE**
Interior Escutcheon	6791.xxx.KT	6791.xxx.KT
Knob/Lever	5064.xxx.IMR	Pair
Spindle	•	•
Cylinder	•	
Mortise Lock	•	• Latch & Mortise Bolt or Lock
Blocking Ring		

SEE BACK COVER FLAP for easy-ordering charts and requirements for doors thicker than 1.75"

** (All .KE hardware include 6701 ER cover)

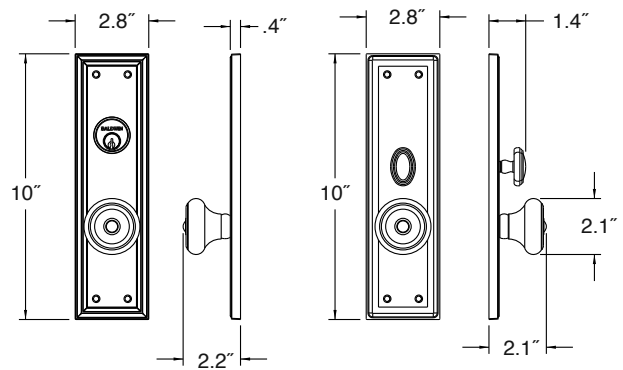
MUST ORDER SEPARATELY
shown in grey

ENTRANCE TRIM, MORTISE NASHVILLE



Item #	Description	Wt.	030, 031 033, 034, 040		003, 055 050, 060, 102		056, 402 112, 150, 151		412, 452 190, 260, 264	
6547.xxx.ENTR	Entrance Trim	Set	6.1							
6547.xxx.DBLC	Double Cylinder	Set		\$475		\$550				
6547.xxx.FD	Full Dummy	Set								
6547.xxx.ENFD†	1 Active Entrance Set + 1 Full Dummy Set	2 Sets		950†		1100†				
6547.xxx.DM	Dummy Exterior only	Each		240		270				
Interior Escutcheon –										
6793.xxx.KC	Cut for Cylinder (KC), Double Cylinder	Each								
6793.xxx.KE**	Cut for Emergency Release (KE)	Each		185		220				
6793.xxx.KN	Cut for Knob (KN), Passage/Dummy	Each								
6793.xxx.KT	Interior Escutcheon w/ Turn Knob (KT)	Each		220		260				
6793.xxx.KP	Escutcheons Cut for Privacy (KP)	Pair		370		440				

NOTE: 030 is not available with Entry Trim or KC escutcheons
†.ENFD only available in 050, 112 & 190, to ensure a finish match on all components.



Trim thickness: .125" – C

Sets	6547.xxx.ENTR	6547.xxx.DBLC	6547.xxx.FD
Exterior Trim	6793.xxx.KC	6793.xxx.KC	
Interior Escutcheon	6793.xxx.KT	6793.xxx.KC	6793.xxx.KN (x2)
Knob/Lever	5020.xxx.MR (Pair)	5020.xxx.MR (Pair)	5020.xxx.MR (Pair)
Spindle	0522 (4" Swivel)	0522 (4" Swivel)	0522 (4" Straight)
Cylinder	8325 (1.75" Door)	8325 (1.75" Door)	
Mortise Lock	•	•	
Blocking Ring		•	



Designer	Entrance	Privacy	Passage
Exterior Trim	6793.xxx.KC	6793.xxx.KE**	
Interior Escutcheon	6793.xxx.KT	6793.xxx.KT or .KP	6793.xxx.KN (x2)
Knob/Lever	Pair	Pair	Pair
Spindle	•	•	•
Cylinder	•		
Mortise Lock	•	• (Latch & Mortise Bolt or Mortise Lock)	• (Latch or Interior Mortise Lock)
Blocking Ring			
Turn Knob			

REQUIRED

SEE BACK COVER FLAP for easy-ordering charts and requirements for doors thicker than 1.75"

MUST ORDER SEPARATELY
shown in grey

** (All .KE hardware include 6701 ER cover)

BALDWIN

ENTRANCE TRIM, MORTISE WILLIAMSBURG / GEORGETOWN

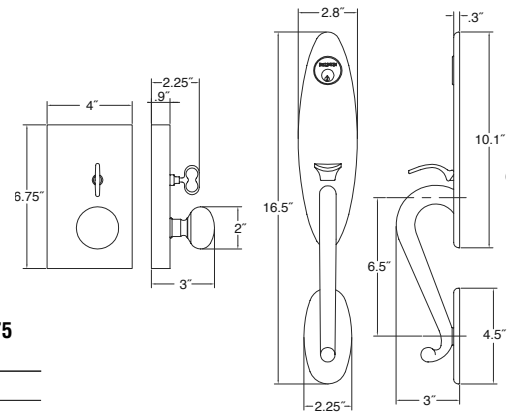


030, 031
033, 034, 040
050, 060, 102 **003, 055**
112, 150, 151 **056, 402**
190, 260, 264 **412, 452**



Item #	Description	Set	Wt.		
6549.xxx.RENT (LENT)	Entrance Trim – Williamsburg	Set	9.5		
6549.xxx.RDBL (LDBL)	Double Cylinder	Set		\$475	\$550
6549.xxx.RFD (LFD)	Full Dummy	Set			
6549.xxx.ENFD†	1 Active Entrance Set + 1 Full Dummy Set	2 Sets		950†	1100†
6628.xxx.BB75	Entrance Back-to-Back – 1.75" door	Set			
6628.xxx.BB30	Entrance Back-to-Back – up to 3" door	Set		775	850
6628.xxx.BBFD	Dummy Back-to-Back	Set			
6628.xxx	Active Exterior Trim only	Each		355	400
6628.xxx.DM	Dummy Exterior only	Each			
6550.xxx.RENT (LENT)	Entrance Trim – Georgetown	Set			
6550.xxx.RDBL (LDBL)	Double Cylinder	Set		375	450
6550.xxx.RFD (LFD)	Full Dummy	Set			
6550.xxx.ENFD†	1 Active Entrance Set + 1 Full Dummy Set	2 Sets		750†	900†
	Interior Escutcheon –				
6505.xxx.RKC (LKC)	Cut for Cylinder (KC), Double Cylinder	Each			
6505.xxx.RKE (LKE)	Cut for Emergency Release (KE)	Each		95	130
6505.xxx.RKN (LKN)	Cut for Knob (KN), Passage/Dummy	Each			
6505.xxx.RKT (LKT)	Interior Escutcheon w/ Turn Knob (KT)	Each		130	170

NOTE: 030 is not available with Entry Trim or KC escutcheons
†ENFD only available in 050, 112 & 190, to ensure a finish match on all components.



Trim width: 2.75"

Trim thickness: .3125" – F

Interior trim thickness: .875" – K

NOTE: NOT available for Reverse Bevel conditions
Not available for doors thicker than 3"

Williamsburg Sets

	6549 .xxx.RENT (LENT)	6544 .xxx.RDBL (LDBL)	6544 .xxx.RFD (LFD)	6622 .xxx.BB75 (BB30, BBFD)
Exterior Trim	6628.xxx	6628.xxx	6628.xxx.DM	6628.xxx (x2)
Interior Escutcheon	6505.xxx.LKN (RKC)	6505.xxx.LKN (RKC)	6505.xxx.LKN (RKC)	
Knob/Lever	5000.xxx.IMR	5000.xxx.IMR	5000.xxx.IMR	
Spindle	0531 (2.875" Half)	0531 (2.875" Half)	5077 (1.5" Dummy)	
Cylinder	8323 (1.75" Door)	• (Double)	• (Dummy)	• (Double)
Mortise Lock	•	•		•
Blocking Ring		•		

Georgetown Sets

	6550 .xxx.RENT (LENT)	6550 .xxx.RDBL (LDBL)	6550 .xxx.RFD (LFD)
Cylinder Collar	6757.xxx	6757.xxx	
Rose	5002.xxx	5002.xxx	5002.xxx
Interior Escutcheon	6505.xxx.LKT	6505.xxx.LKT	6505.xxx.LKT
Knob/Lever	5000.xxx.MR (Pair)	5000.xxx.MR (Pair)	5000.xxx.MR (Pair)
Spindle	0526 (4.5" Swivel)	0526 (4.5" Swivel)	0526 (4.5" Straight)
Cylinder	•	• (Double)	
Mortise Lock	•	•	
Blocking Ring		•	

REQUIRED

Designer

	Williamsburg Entrance	Georgetown Privacy
Exterior Trim	6628.xxx	
Interior Escutcheon	6505.xxx.LKT	6505.xxx.LKT
Knob/Lever	5106.xxx.RMR (LMR)	Pair
Spindle	•	•
Cylinder	•	
Mortise Lock	• (Lever Strength)	• Latch & Mortise Bolt or Lock
Turn Knob		
Other		ER Trim, Rose (for Exterior)

SEE BACK COVER FLAP for easy-ordering charts and requirements for doors thicker than 1.75"

** (All .KE hardware include 6701 ER cover)

MUST ORDER SEPARATELY

shown in grey

ENTRANCE TRIM, MORTISE BALTIMORE

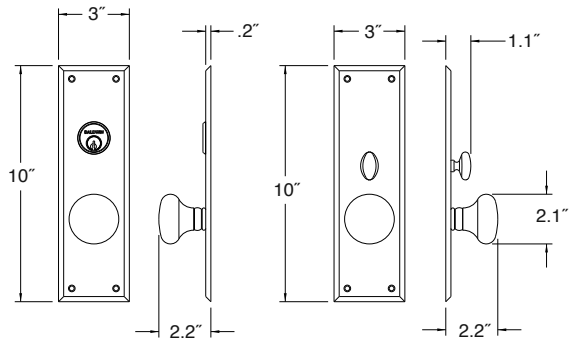


030, 031
033, 034, 040
050, 060, 102 **003, 055**
112, 150, 151 **056, 402**
190, 260, 264 **412, 452**



Item #	Description	Wt.		
6552.xxx.ENTR	Entrance Trim	Set	3.6	
6552.xxx.DBLC	Double Cylinder	Set	\$375	\$450
6552.xxx.FD	Full Dummy	Set		
6552.xxx.ENFD†	1 Active Entrance Set + 1 Full Dummy Set	2 Sets	750†	900†
6552.xxx.DM	Dummy Exterior only	Each	190	220
Interior Escutcheon –				
6767.xxx.KC	Cut for Cylinder (KC), Double Cylinder	Each		
6767.xxx.KE**	Cut for Emergency Release (KE)	Each	95	130
6767.xxx.KN	Cut for Knob (KN), Passage/Dummy	Each		
6767.xxx.KT	Interior Escutcheon w/ Turn Knob (KT)	Each	130	170
6767.xxx.KP	Escutcheons Cut for Privacy (KP)	Pair	190	260

NOTE: 030 is not available with Entry Trim or KC escutcheons
†.ENFD only available in 050, 112 & 190, to ensure a finish match on all components.



Trim thickness: .1875" – D



Sets	6552.xxx.ENTR	6552.xxx.DBLC	6552.xxx.FD
Exterior Trim	6767.xxx.KC	6767.xxx.KC	6552.xxx.DM
Interior Escutcheon	6767.xxx.KT	6767.xxx.KC	6767.xxx.KN
Knob/Lever	5015.xxx.MR (Pair)	5015.xxx.MR (Pair)	5015.xxx.MR (Pair)
Spindle	0522 (4" Swivel)	0522 (4" Swivel)	0522 (4" Straight)
Cylinder	8322 for 1.75" door	• (Double)	
Mortise Lock	•	•	
Blocking Ring		•	



Designer	Entrance	Privacy	Passage
Exterior Trim	6767.xxx.KC	6767.xxx.KE**	
Interior Escutcheon	6767.xxx.KT	6767.xxx.KT or .KP	6767.xxx.KN (x2)
Knob/Lever	5106.xxx.MR (Pair)	5015.xxx.MR (Pair)	5015.xxx.MR (Pair)
Spindle	•	•	•
Cylinder	•		
Mortise Lock	•	• (Latch & Mortise Bolt or Mortise Lock)	• (Latch or Interior Mortise Lock)
Blocking Ring			
Turn Knob			

REQUIRED

SEE BACK COVER FLAP for easy-ordering charts and requirements for doors thicker than 1.75"

MUST ORDER SEPARATELY
shown in grey

** (All .KE hardware include 6701 ER cover)

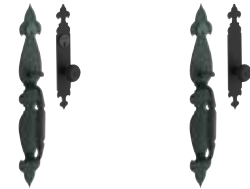
BALDWIN

ENTRANCE TRIM, MORTISE RICHMOND



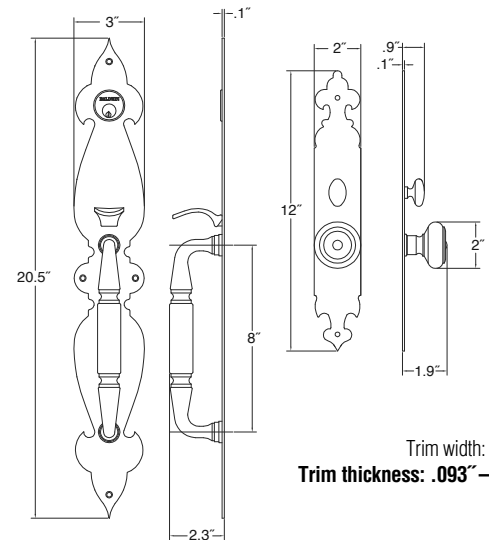
030, 031
033, 034, 040
050, 060, 102
112, 150, 151
190, 260, 264

003, 055
056, 402
412, 452



	Item #	Description	Wt.		
SET	6557.xxx.ENTR	Entrance Trim	Set	9.5	
	6557.xxx.DBLC	Double Cylinder	Set	\$475	\$550
	6557.xxx.FD	Full Dummy	Set		
EXT	6557.xxx.ENFD†	1 Active Entrance Set + 1 Full Dummy Set	2 Sets	950†	1100†
	6606.xxx	Active Exterior Trim	Each	355	400
INTERIOR	6606.xxx.DM	Dummy Exterior Trim	Each		
	6774.xxx.KC	Interior Escutcheon – Cut for Cylinder (KC), Double Cylinder	Each		
	6774.xxx.KE**	Cut for Emergency Release (KE)	Each	95	130
	6774.xxx.KN	Cut for Knob (KN), Passage/Dummy	Each		
	6774.xxx.KT	Interior Escutcheon w/ Turn Knob (KT)	Each	130	170

NOTE: 030 is not available with Entry Trim or KC escutcheons
†.ENFD only available in 050, 112 & 190, to ensure a finish match on all components.



Sets

	6557.xxx.ENTR	6557.xxx.DBLC	6557.xxx.FD
Exterior Trim	6606.xxx	6606.xxx	6606.xxx.DM
Interior Escutcheon	6774.xxx.KT	6774.xxx.KC	6774.xxx.KN
Knob/Lever	5005.xxx.IMR	5005.xxx.IMR	5005.xxx.IMR
Spindle	0530 (2.375" Half)	0530 (2.375" Half)	5092 (1.125" Dummy)
Cylinder	8321 (1.75" Door)	• (Double)	6761 (Dummy)
Mortise Lock	•	•	
Blocking Ring		•	



Designer

Entrance

Exterior Trim	6606.xxx
Interior Escutcheon	6774.xxx.KT
Knob/Lever	5132.xxx.RMR (.LMR)
Spindle	•
Cylinder	•
Mortise Lock	• (Lever Strength)
Blocking Ring	
Turn Knob	

REQUIRED

SEE BACK COVER FLAP for easy-ordering charts and requirements for doors thicker than 1.75"

** (All .KE hardware include 6701 ER cover)

MUST ORDER SEPARATELY
shown in grey

ENTRANCE TRIM, MORTISE LEXINGTON / WILMINGTON



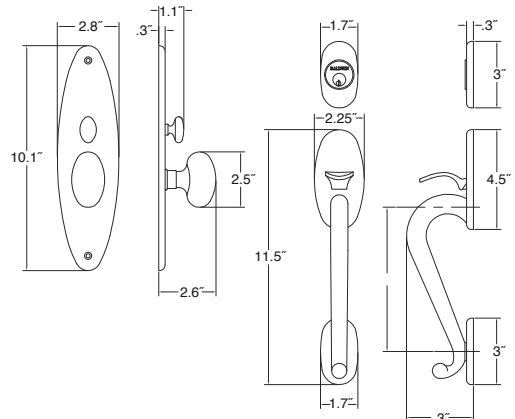
030, 031
033, 034, 040
050, 060, 102
112, 150, 151
190, 260, 264

003, 055
056, 402
412, 452



	Item #	Description	Wt.		
SET	6560.xxx.ENTR	Entrance Trim – Lexington	Set	4.3	
	6560.xxx.DBLC	Double Cylinder	Set	\$475	\$550
	6560.xxx.FD	Full Dummy	Set		
	6560.xxx.ENFD†	1 Active Entrance Set + 1 Full Dummy Set	2 Sets	950†	1100†
	6621.xxx.BB75	Entrance Back-to-Back – 1.75" door	Set		
EXT	6621.xxx.BB30	Entrance Back-to-Back – up to 3" door	Set	775	850
	6621.xxx.BBFD	Dummy Back-to-Back	Set		
SET	6621.xxx	Active Exterior Trim only	Each	355	400
	6621.xxx.DM	Dummy Exterior only	Each		
	6546.xxx.ENTR	Entrance Trim – Wilmington	Set	3.4	
	6546.xxx.DBLC	Double Cylinder	Set	375	450
INTERIOR	6546.xxx.FD	Full Dummy	Set		
	6546.xxx.ENFD†	1 Active Entrance Set + 1 Full Dummy Set	2 Sets	750†	900†
	6795.xxx.KC	Interior Escutcheon – Cut for Cylinder (KC), Double Cylinder	Each		
	6795.xxx.KE**	Cut for Emergency Release (KE)	Each	95	130
	6795.xxx.KN	Cut for Knob (KN), Passage/Dummy	Each		
	6795.xxx.KT	Interior Escutcheon w/ Turn Knob (KT)	Each	130	170

NOTE: 030 is not available with Entry Trim or KC escutcheons
†.ENFD only available in 050, 112 & 190, to ensure a finish match on all components.



Trim width: 2.25"
Trim thickness: .3125" – F

Lexington Sets

	6560.xxx.ENTR	6560.xxx.DBLC	6560.xxx.FD	6621.xxx.BB75 (BB30, BBFD)
Exterior Trim	6621.xxx	6621.xxx	6621.xxx.DM	6621.xxx (x2)
Interior Escutcheon	6795.xxx.KT	6795.xxx.KC	6795.xxx.KN	
Knob/Lever	5025.xxx.IMR	5025.xxx.IMR	5025.xxx.IMR	
Spindle	0530 (2.375" Half)	0530 (2.375" Half)	5092 (1.125" Dummy)	
Cylinder	8321 (1.75" Door)	• (Double)	6761 (Dummy)	• (Double)
Mortise Lock	•	•		•
Blocking Ring		•		•

Wilmington Sets

	6546.xxx.ENTR	6546.xxx.DBLC	6546.xxx.FD
Exterior Trim	6795.xxx.KC	6795.xxx.KC	
Interior Escutcheon	6795.xxx.KT	6795.xxx.KC	6795.xxx.KN (x2)
Knob/Lever	5025.xxx.MR (Pair)	5025.xxx.MR (Pair)	5025.xxx.MR (Pair)
Spindle	0522 (4" Swivel)	0522 (4" Swivel)	0511 (4" Straight)
Cylinder	•	• (Double)	
Mortise Lock	•	•	
Blocking Ring		•	

Designer

	Lexington Entrance	Wilmington Privacy
Exterior Trim	6621.xxx	6795.xxx.KE**
Interior Escutcheon	6795.xxx.KT	6795.xxx.KT
Knob/Lever	Half Pair	Pair
Spindle	•	•
Cylinder	•	
Mortise Lock	• (Lever Strength)	• (Latch & Bolt or Lock)
Blocking Ring		
Turn Knob		

REQUIRED

SEE BACK COVER FLAP for easy-ordering charts and requirements for doors thicker than 1.75"

MUST ORDER SEPARATELY
shown in grey

** (All .KE hardware include 6701 ER cover)

BALDWIN

ENTRANCE TRIM, MORTISE NEW YORK / DETROIT



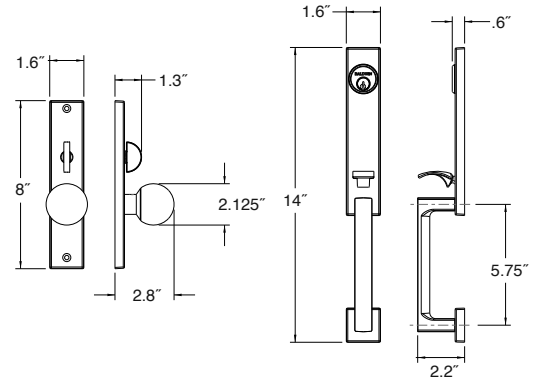
030, 031
033, 034, 040
050, 060, 102
112, 150, 151
190, 260, 264

003, 055
056, 402
412, 452



	Item #	Description	Set	Wt.		
SET	6562.xxx.ENTR	Entrance Trim – New York	Set	9.5		
	6562.xxx.DBLC	Double Cylinder	Set		\$475	\$550
	6562.xxx.FD	Full Dummy	Set			
	6562.xxx.ENFD†	1 Active Entrance Set + 1 Full Dummy Set	2 Sets		950†	1100†
	6608.xxx.BB75	Entrance Back-to-Back – 1.75" door	Set			
EXT	6608.xxx.BB30	Entrance Back-to-Back – up to 3" door	Set		775	850
	6608.xxx.BBFD	Dummy Back-to-Back	Set			
SET	6608.xxx	Active Exterior Trim only	Each		355	400
	6608.xxx.DM	Dummy Exterior only	Each			
	6548.xxx.ENTR	Entrance Trim – Detroit	Set	4.5		
SET	6548.xxx.DBLC	Double Cylinder	Set		\$375	450
	6548.xxx.FD	Full Dummy	Set			
	6548.xxx.ENFD†	1 Active Entrance Set + 1 Full Dummy Set	2 Sets		750†	900†
INT		Interior Escutcheon –				
	6503.xxx.KCOS (KCIS)	Cut for Cylinder (KC), Double Cylinder	Each			
	6503.xxx.KEOS (KEIS)	Cut for Emergency Release (KE**)	Each		95	130
	6503.xxx.KNOS (KNIS)	Cut for Knob (KN), Passage/Dummy	Each			
	6503.xxx.KTOS (KTIS)	Interior Escutcheon w/ Turn Knob (KT)	Each		130	170

NOTE: 030 is not available with Entry Trim or KC escutcheons
†ENFD only available in 050, 112 & 190, to ensure a finish match on all components.



New York Sets

	6562.xxx.ENTR	6562.xxx.DBLC	6562.xxx.FD	6608.xxx.BB75 (BB30, BBFD)
Exterior Trim	6608.xxx	6608.xxx	6608.xxx.DM	6608.xxx (x2)
Interior Escutcheon	6503.xxx.KTIS	6503.xxx.KCIS	6503.xxx.KNIS	
Knob/Lever	5041.xxx.IMR	5041.xxx.RMR (LMR)	5041.xxx.IMR	
Spindle	0530 (2.375" Half)	0531 (2.875" Half)	5092 (1.125" Dummy)	
Cylinder	8323 for 1.75" door	• (Double)	6761 (Dummy)	• (Double)
Mortise Lock	•	•		•
Blocking Ring		•		•

Detroit Sets

	6548.xxx.ENTR	6548.xxx.DBLC	6548.xxx.FD
Exterior Trim	6503.xxx.KCOS	6503.xxx.KCOS	6503.xxx.KNOS
Interior Escutcheon	6503.xxx.KTIS	6791.xxx.KCIS	6503.xxx.KNIS
Knob/Lever	5041.xxx.MR (Pair)	5041.xxx.MR (Pair)	5041.xxx.MR (Pair)
Spindle	0522 (4" Swivel)	0522 (4" Swivel)	0511 (4" Straight)
Cylinder	•	• (Double)	
Mortise Lock	•	•	
Blocking Ring		•	
Adaptor			5099.004 (x2)

Designer

	New York Entrance	Detroit Privacy
Exterior Trim	6608.xxx	6503.xxx.KEOS
Interior Escutcheon	6503.xxx.KEIS	6503.xxx.KTIS
Knob/Lever	Half Pair	Pair
Spindle	•	•
Cylinder	•	
Mortise Lock	• (Lever Strength)	• Latch & Mortise Bolt or Lock
Blocking Ring		
Turn Knob	•	

REQUIRED

SEE BACK COVER FLAP for easy-ordering charts and requirements for doors thicker than 1.75"

** (All .KE hardware include 6701 ER cover)

MUST ORDER SEPARATELY
shown in grey

ENTRANCE TRIM, MORTISE CHICAGO

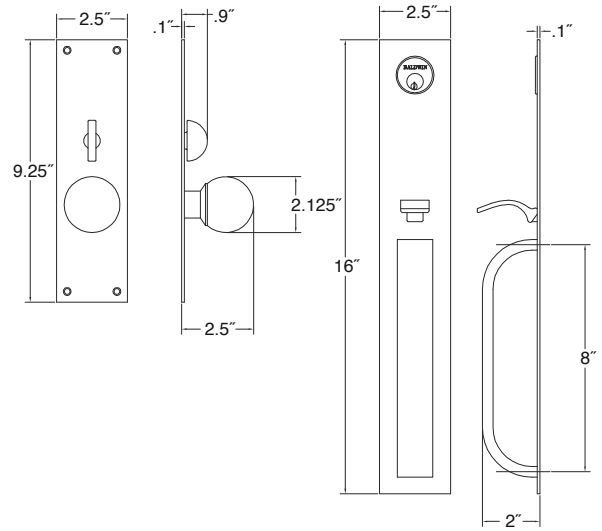


030, 031
033, 034, 040
050, 060, 102 **003, 055**
112, 150, 151 **056, 402**
190, 260, 264 **412, 452**



	Item #	Description	Wt.		
SET	6563.xxx.ENTR	Entrance Trim	Set	9.5	
	6563.xxx.DBLC	Double Cylinder	Set	\$475	\$550
	6563.xxx.FD	Full Dummy	Set		
EXT	6563.xxx.ENFD†	1 Active Entrance Set + 1 Full Dummy Set	2 Sets	950†	1100†
	6614.xxx	Active Exterior Trim	Each	355	400
INTERIOR	6614.xxx.DM	Dummy Exterior Trim	Each		
	6763.xxx.KC	Interior Escutcheon – Cut for Cylinder (KC), Double Cylinder	Each		
	6763.xxx.KE**	Cut for Emergency Release (KE)	Each	95	130
	6763.xxx.KN	Cut for Knob (KN), Passage/Dummy	Each		
	6763.xxx.KT	Interior Escutcheon w/ Turn Knob (KT)	Each	130	170

NOTE: 030 is not available with Entry Trim or KC escutcheons
†.ENFD only available in 050, 112 & 190, to ensure a finish match on all components.



Trim width: 2.5"
Trim thickness: .093" – B

Sets

	6563.xxx.ENTR	6563.xxx.DBLC	6563.xxx.FD
Exterior Trim	6614.xxx	6614.xxx	6614.xxx.DM
Interior Escutcheon	6763.xxx.KT	6763.xxx.KC	6763.xxx.KN
Knob/Lever	5041.xxx.IMR	5041.xxx.IMR	5041.xxx.IMR
Spindle	0530 (2.375" Half)	0530 (2.375" Half)	5092 (1.125" Dummy)
Cylinder	8321 (1.75" Door)	• (Double)	6761 (Dummy)
Mortise Lock	•	•	
Blocking Ring		•	



Designer

	Entrance	Entrance	Double Cylinder	Privacy	Passage
Exterior Trim	6614.xxx	6763.xxx.KC	6763.xxx.KC	6763.xxx.KE**	
Interior Escutcheon	6763.xxx.KE**	6763.xxx.KT	6763.xxx.KC	6763.xxx.KT	6763.xxx.KN (x2)
Knob/Lever	Half Pair	Pair	Pair	Pair	Pair
Spindle	•	•	•	•	•
Cylinder	•	•	• (Double)	•	
Mortise Lock	•	•	•	• (Latch & Bolt or Lock)	• (Latch or Interior Lock)
Blocking Ring			•		
Turn Knob	•				

REQUIRED

SEE BACK COVER FLAP for easy-ordering charts and requirements for doors thicker than 1.75"

MUST ORDER SEPARATELY

shown in grey

** (All .KE hardware include 6701 ER cover)

BALDWIN

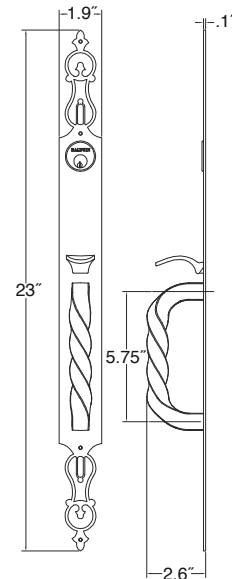


030, 031
033, 034, 040
050, 060, 102 **003, 055**
112, 150, 151 **056, 402**
190, 260, 264 **412, 452**



	Item #	Description	Set	Wt.		
SET	6565.xxx.RENT (.LENT)	Entrance Trim	Set	9.5		
	6565.xxx.RDBL	Double Cylinder	Set		\$475	\$550
	6565.xxx.RFD	Full Dummy	Set			
EXT	6565.xxx.ENFD†	1 Active Entrance Set + 1 Full Dummy Set	2 Sets		950†	1100†
	6634.xxx	Active Exterior Trim	Each		355	400
INTERIOR	6634.xxx.DM	Dummy Exterior Trim	Each			
	6642.xxx.KC	Interior Escutcheon – Cut for Cylinder (KC), Double Cylinder	Each			
	6642.xxx.KE**	Cut for Emergency Release (KE)	Each		95	130
	6642.xxx.KN	Cut for Knob (KN), Passage/Dummy	Each			
	6642.xxx.KT	Interior Escutcheon w/ Turn Knob (KT)	Each		130	170

NOTE: 030 is not available with Entry Trim or KC escutcheons
†.ENFD only available in 050, 112 & 190, to ensure a finish match on all components.



Trim width: 1.875"
Trim thickness: .093" – B

Sets

	6565.xxx.RENT (.LENT)	6565.xxx.RDBL	6565.xxx.RFD
Exterior Trim	6634.xxx	6634.xxx	6634.xxx
Interior Escutcheon	6642.xxx.KT	6642.xxx.KC	6642.xxx.KN
Knob/Lever	5132.xxx.RMR (.LMR)	5132.xxx.RMR (.LMR)	5132.xxx.RMR (.LMR)
Spindle	0530 (2.375" Half)	0530 (2.375" Half)	5092 (1.125" Dummy)
Cylinder	•	•	6761 (Dummy)
Mortise Lock	•	•	
Blocking Ring		•	



Entrance



Entrance



Double Cylinder



Privacy



Passage

Designer

	6634.xxx	6642.xxx.KC	6642.xxx.KC	6642.xxx.KE**	6642.xxx.KN (x2)
Exterior Trim	6634.xxx	6642.xxx.KC	6642.xxx.KC	6642.xxx.KE**	
Interior Escutcheon	6642.xxx.KT	6642.xxx.KT	6642.xxx.KC	6642.xxx.KT	6642.xxx.KN (x2)
Knob/Lever	Half Pair	Pair	Pair	Pair	Pair
Spindle	•	•	•	•	•
Cylinder	•	•	• (Double)		
Mortise Lock	• (Lever Strength)	•	•	• Latch & Bolt or Lock	• (Latch or Lock)
Blocking Ring			•		
Turn Knob					

REQUIRED

SEE BACK COVER FLAP for easy-ordering charts and requirements for doors thicker than 1.75"

** (All .KE hardware include 6701 ER cover)

MUST ORDER SEPARATELY
shown in grey

ENTRANCE TRIM, MORTISE TRENTON / READING



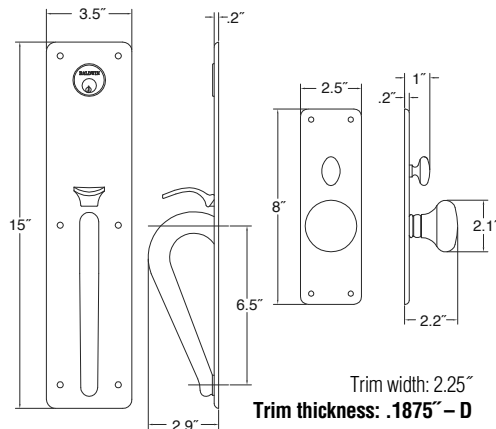
030, 031
033, 034, 040
050, 060, 102 **003, 055**
112, 150, 151 **056, 402**
190, 260, 264 **412, 452**

	Item #	Description	Wt.		
SET	6567.xxx.ENTR	Entrance Trim – Trenton	Set	9.5	
	6567.xxx.DBLC	Double Cylinder	Set	\$475	\$550
	6567.xxx.FD	Full Dummy	Set		
	6567.xxx.ENFD†	1 Active Entrance Set + 1 Full Dummy Set	2 Sets	950†	1100†
EXT	6602.xxx	Active Exterior Trim only	Each		
	6602.xxx.DM	Dummy Exterior only	Each	355	400
INTERIOR		Interior Escutcheon –			
	6508.xxx.KC	Cut for Cylinder (KC), Double Cylinder	Each	95	130
	6508.xxx.KN	Cut for Knob (KN), Passage/Dummy	Each		
	6508.xxx.KT	Interior Escutcheon w/ Turn Knob (KT)	Each	130	170
SET	6551.xxx.ENTR	Entrance Trim – Reading	Set	4.2	
	6551.xxx.DBLC	Double Cylinder	Set	375	450
	6551.xxx.FD	Full Dummy	Set		
	6551.xxx.ENFD†	1 Active Entrance Set + 1 Full Dummy Set	2 Sets	750†	900†
INTERIOR		Interior Escutcheon –			
	6765.xxx.KC	Cut for Cylinder (KC), Double Cylinder	Each		
	6765.xxx.KE**	Cut for Emergency Release (KE)	Each	95	130
	6765.xxx.KN	Cut for Knob (KN), Passage/Dummy	Each		
	6765.xxx.KT	Interior Escutcheon w/ Turn Knob (KT)	Each	130	170

NOTE: 030 is not available with Entry Trim or KC escutcheons
Exterior screws are decorative only.
†.ENFD only available in 050, 112 & 190, to ensure a finish match on all components.

Trenton Sets

	6567.xxx.ENTR	6567.xxx.DBLC	6567.xxx.FD
Exterior Trim	6602.xxx	6602.xxx	6602.xxx.DM
Interior Escutcheon	6508.xxx.KT	6508.xxx.KC	6508.xxx.KN
Knob/Lever	5015.xxx.IMR	5015.xxx.IMR	5015.xxx.IMR
Spindle	0530 (2.375" Half)	0530 (2.375" Half)	5092 (1.125" Dummy)
Cylinder	8322 (1.75" Door)	• (Double)	6761 (Dummy)
Mortise Lock	•	•	
Blocking Ring		•	



Reading Sets

	6555.xxx.ENTR	6555.xxx.DBLC	6555.xxx.FD
Exterior Trim	6765.xxx.KC	6765.xxx.KC	
Interior Escutcheon	6765.xxx.KT	6765.xxx.KC	6765.xxx.KN (x2)
Knob/Lever	5015.xxx.MR (Pair)	5015.xxx.MR (Pair)	5015.xxx.MR (Pair)
Spindle	0522 (4" Swivel)	0522 (4" Swivel)	0511 (4" Straight)
Cylinder	•	• (Double)	
Mortise Lock	•	•	
Blocking Ring		•	

Designer

	Trenton Entrance	Reading Privacy
Exterior Trim	6602.xxx	6765.xxx.KE**
Interior Escutcheon	6508.xxx.KT	6765.xxx.KT
Knob/Lever	Half Pair	Pair
Spindle	•	•
Cylinder	•	
Mortise Lock	• (Lever Strength)	• (Latch & Bolt or Lock)
Turn Knob		
Other		ER Trim

REQUIRED

SEE BACK COVER FLAP for easy-ordering charts and requirements for doors thicker than 1.75"

MUST ORDER SEPARATELY

shown in grey

** (All .KE hardware include 6701 ER cover)

BALDWIN



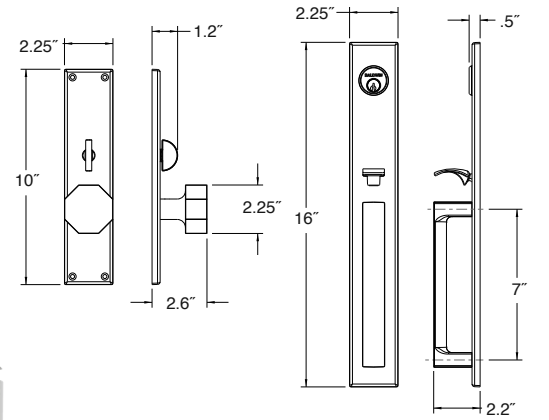
030, 031
033, 034, 040
050, 060, 102
112, 150, 151
190, 260, 264

003, 055
056, 402
412, 452



	Item #	Description	Wt.		
SET	6570.xxx.ENTR	Entrance Trim	Set	9.5	
	6570.xxx.DBLC	Double Cylinder	Set	\$475	\$550
	6570.xxx.FD	Full Dummy	Set		
	6570.xxx.ENFD†	1 Active Entrance Set + 1 Full Dummy Set	2 Sets	950†	1100†
	6619.xxx.BB75	Entrance Back-to-Back – 1.75" door	Set	775	850
	6619.xxx.BB30	Entrance Back-to-Back – up to 3" door	Set		
EXT	6619.xxx	Active Exterior Trim	Each	355	400
	6619.xxx.DM	Dummy Exterior Trim	Each		
INTERIOR		Interior Escutcheon –			
	6513.xxx.KC	Cut for Cylinder (KC), Double Cylinder	Each		
	6513.xxx.KE**	Cut for Emergency Release (KE)	Each	95	130
	6513.xxx.KN	Cut for Knob (KN), Passage/Dummy	Each		
	6513.xxx.KT	Interior Escutcheon w/ Turn Knob (KT)	Each	130	170
	6513.xxx.KP	Escutcheons Cut for Privacy (KP)	Pair	190	260

NOTE: 030 is not available with Entry Trim or KC escutcheons
†ENFD only available in 050, 112 & 190, to ensure a finish match on all components.



Trim width: 2.25"
Trim thickness: .375" – G

Sets	6570.xxx.ENTR	6570.xxx.DBLC	6570.xxx.FD	6619.xxx.BB75 (BB30, BBFD)
Exterior Trim	6619.xxx	6619.xxx	6619.xxx.DM	6619.xxx (x2)
Interior Escutcheon	6513.xxx.KC	6513.xxx.KT	6513.xxx.KN	
Knob/Lever	5073.xxx.IMR	5073.xxx.IMR	5073.xxx.IMR	
Spindle	0530 (2.375" Half)	0530 (2.375" Half)	5092 (1.125" Dummy)	
Cylinder	8323 for 1.75" door	8325 for 1.75" door	6761 (Dummy)	• (Double)
Mortise Lock	•	•		•
Blocking Ring		•		•



Designer	Entrance	Entrance	Double Cylinder	Privacy	Passage
Exterior Trim	6619.xxx	6513.xxx.KC	6513.xxx.KC	6513.xxx.KE**	
Interior Escutcheon	6513.xxx.KE**	6513.xxx.KT	6513.xxx.KC	6513.xxx.KT or .KP	6513.xxx.KN (x2)
Knob/Lever	Half Pair	Pair	Pair	Pair	Pair
Spindle	•	•	•	•	•
Cylinder	•	•	• (Double)		
Mortise Lock	• (Lever Strength)	•	•	• (Latch & Bolt or Lock)	• (Latch or Interior Lock)
Blocking Ring			•		
Turn Knob	•				

REQUIRED

SEE BACK COVER FLAP for easy-ordering charts and requirements for doors thicker than 1.75"

** (All .KE hardware include 6701 ER cover)

MUST ORDER SEPARATELY
shown in grey

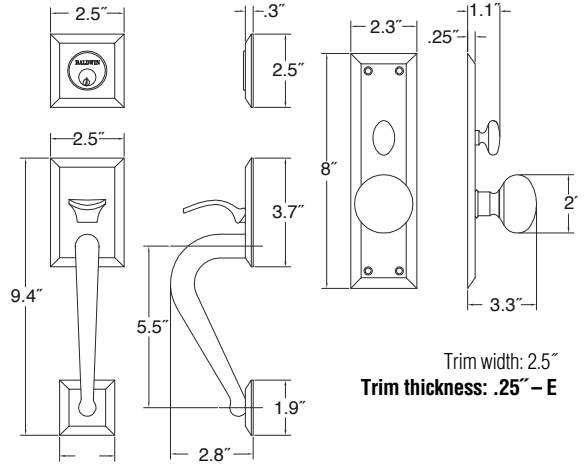
ENTRANCE TRIM, MORTISE CONCORD



030, 031
033, 034, 040
050, 060, 102 **003, 055**
112, 150, 151 **056, 402**
190, 260, 264 **412, 452**

	Item #	Description	Wt.		
SET	6571.xxx.ENTR	Entrance Trim	Set	3.8	
	6571.xxx.DBLC	Double Cylinder	Set		\$475 \$550
	6571.xxx.FD	Full Dummy	Set		
EXT	6571.xxx.ENFD†	1 Active Entrance Set + 1 Full Dummy Set	2 Sets		950† 1100†
	6604.xxx	Active Exterior Trim only	Each		
INTERIOR	6604.xxx.DM	Dummy Exterior only	Each		355 400
	6794.xxx.KC	Interior Escutcheon – Cut for Cylinder (KC), Double Cylinder	Each		
	6794.xxx.KE	Cut for Emergency Release (KE)	Each		95 130
	6794.xxx.KN	Cut for Knob (KN), Passage/Dummy	Each		
	6794.xxx.KT	Interior Escutcheon w/ Turn Knob (KT)	Each		130 170

NOTE: 030 is not available with Entry Trim or KC escutcheons
†.ENFD only available in 050, 112 & 190, to ensure a finish match on all components.



Sets	6571.xxx.ENTR	6571.xxx.DBLC	6571.xxx.FD
Exterior Trim	6604.xxx	6604.xxx	6604.xxx.DM
Interior Escutcheon	6794.xxx.KT	6794.xxx.KC	6794.xxx.KN
Knob/Lever	5000.xxx.IMR	5000.xxx.IMR	5000.xxx.IMR
Spindle	0530 (2.375" Half)	0530 (2.375" Half)	5092 (1.125" Dummy)
Cylinder	8323 (1.75" Door)	•	6761 (Dummy)
Mortise Lock	•	•	
Blocking Ring		•	



Designer	Entrance	Entrance	Double Cylinder	Privacy	Passage
Exterior Trim	6604.xxx	6794.xxx.KC	6794.xxx.KC	6794.xxx.KE**	
Interior Escutcheon	6794.xxx.KT	6794.xxx.KT	6794.xxx.KC	6794.xxx.KT	6794.xxx.KN (x2)
Knob/Lever	Half Pair	Pair	Pair	Pair	Pair
Spindle	•		•	•	•
Cylinder	•	•	• (Double)		
Mortise Lock	• (Lever Strength)	•	•	• (Latch & Bolt or Lock)	• (Latch & Bolt or Lock)
Blocking Ring			•		
Turn Knob					

REQUIRED

SEE BACK COVER FLAP for easy-ordering charts and requirements for doors thicker than 1.75"

MUST ORDER SEPARATELY
shown in grey

** (All .KE hardware include 6701 ER cover)

BALDWIN

ENTRANCE TRIM, MORTISE SPRINGFIELD



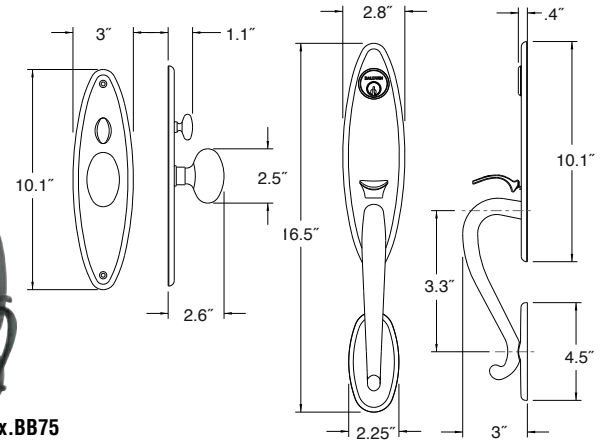
030, 031
033, 034, 040
050, 060, 102
112, 150, 151
190, 260, 264

003, 055
056, 402
412, 452



	Item #	Description	Wt.		
SET	6573.xxx.ENTR	Entrance Trim	Set	9.5	
	6573.xxx.DBLC	Double Cylinder	Set	\$475	\$550
	6573.xxx.FD	Full Dummy	Set		
	6573.xxx.ENFD†	1 Active Entrance Set + 1 Full Dummy Set	2 Sets	950†	1100†
	6628.xxx.BB75	Entrance Back-to-Back – 1.75" door	Set		
EXT	6628.xxx.BB30	Entrance Back-to-Back – up to 3" door	Set	775	850
	6628.xxx.BBFD	Dummy Back-to-Back	Set		
	6628.xxx	Active Exterior Trim only	Each	355	400
INTERIOR	6628.xxx.DM	Dummy Exterior only	Each		
	6798.xxx.KC	Interior Escutcheon – Cut for Cylinder (KC), Double Cylinder	Each		
	6798.xxx.KE**	Cut for Emergency Release (KE)	Each	95	130
	6798.xxx.KN	Cut for Knob (KN), Passage/Dummy	Each		
	6798.xxx.KT	Interior Escutcheon w/ Turn Knob (KT)	Each	130	170
	6798.xxx.KP	Escutcheons Cut for Privacy (KP)	Pair	190	260

†.ENFD only available in 050, 112 & 190, to ensure a finish match on all components.
**All .KE hardware include 6701 ER cover



Trim width: 2.25"
Trim thickness: .3125" – F

Sets	6573.xxx.ENTR	6573.xxx.DBLC	6573.xxx.FD	6628.xxx.BB75 (BB30, BBFD)
Exterior Trim	6628.xxx	6628.xxx	6628.xxx.DM	6638.xxx.DM (x2)
Interior Escutcheon	6798.xxx.KT	6798.xxx.KC	6798.xxx.KN	
Knob/Lever	5025.xxx.IMR	5025.xxx.IMR	5025.xxx.IMR	
Spindle	0530 (2.375" Half)	0530 (2.375" Half)	5092 (1.125" Dummy)	
Cylinder	8323 (1.75" Door)	• (Double)	6761 (Dummy)	• (Double)
Mortise Lock	•	•		•
Blocking Ring		•		•



Designer	Entrance	Entrance	Double Cylinder	Privacy	Passage
Exterior Trim	6628.xxx	6798.xxx.KC	6798.xxx.KC	6798.xxx.KE**	
Interior Escutcheon	6798.xxx.KT	6798.xxx.KT	6798.xxx.KC	6798.xxx.KT or .KP	6798.xxx.KN (x2)
Knob/Lever	Half Pair	Pair	Pair	Pair	Pair
Spindle	•	•	•	•	•
Cylinder	•	•	• (Double)		
Mortise Lock	• (Lever Strength)	•	•	• (Latch & Bolt, Lock, Latch)	• (Latch or Interior Lock)
Blocking Ring			•		
Turn Knob					

REQUIRED

SEE BACK COVER FLAP for easy-ordering charts and requirements for doors thicker than 1.75"

** (All .KE hardware include 6701 ER cover)

MUST ORDER SEPARATELY
shown in grey

ENTRANCE TRIM, MORTISE LAKEWOOD

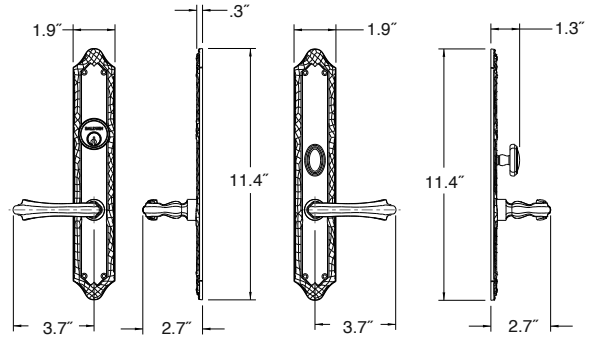


030, 031
033, 034, 040
050, 060, 102 **003, 055**
112, 150, 151 **056, 402**
190, 260, 264 **412, 452**



	Item #	Description	Wt.		
SET	6922.xxx.ENTR	Entrance Trim	Set	3.3	
	6922.xxx.DBLC	Double Cylinder	Set	\$475	\$550
	6922.xxx.FD	Full Dummy	Set		
EXT	6922.xxx.ENFD†	1 Active Entrance Set + 1 Full Dummy Set	2 Sets	950†	1100†
	6922.xxx.RDM (LDM)	Dummy Exterior only	Each	240	270
INTERIOR		Interior Escutcheon –			
	6980.xxx.KC	Cut for Cylinder (KC), Double Cylinder	Each		
	6980.xxx.KE**	Cut for Emergency Release (KE)	Each	185	220
	6980.xxx.KN	Cut for Knob (KN), Passage/Dummy	Each		
	6980.xxx.KT	Interior Escutcheon w/ Turn Knob (KT)	Each	220	260

NOTE: 030 is not available with Entry Trim or KC escutcheons
†.ENFD only available in 050, 112 & 190, to ensure a finish match on all components.



Trim thickness: .125" – C

Sets	6922.xxx.ENTR	6922.xxx.DBLC	6922.xxx.FD
Exterior Trim	6980.xxx.KC	6980.xxx.KC	6922.xxx.RDM
Interior Escutcheon	6980.xxx.KT	6980.xxx.KC	6980.xxx.KN
Knob/Lever	5101.xxx.MR (Pair)	5101.xxx.MR (Pair)	5101.xxx.MR (Pair)
Spindle	0520 (3.5" Swivel)	0520 (3.5" Swivel)	0514.004 (3.5" Straight)
Cylinder	8322 (1.75" Door)	• (Double)	
Mortise Lock	• (Lever Strength)	• (Lever Strength)	
Blocking Ring		•	



Designer	Entrance	Privacy	Passage
Exterior Trim	6980.xxx.KC	6980.xxx.KE**	
Interior Escutcheon	6980.xxx.KT	6980.xxx.KT	6980.xxx.KN (x2)
Knob/Lever	Pair	Pair	Pair
Spindle	•	•	•
Cylinder	•		
Mortise Lock	• (Latch & Bolt or Lock)	• (Latch & Bolt or Lock)	• (Latch or Interior Lock)
Blocking Ring			
Turn Knob			

REQUIRED

SEE BACK COVER FLAP for easy-ordering charts and requirements for doors thicker than 1.75"

MUST ORDER SEPARATELY
shown in grey

** (All .KE hardware include 6701 ER cover)

BALDWIN



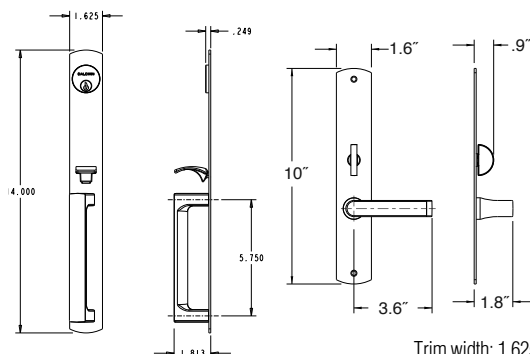
030, 031
033, 034, 040
050, 060, 102 **003, 055**
112, 150, 151 **056, 402**
190, 260, 264 **412, 452**



2679 pull is angled ~ 15° for use with narrow backset (1.5" & 2") mortise locks, may also be used with 2.5" & 2.75" mortise locks

Item #	Description	Wt.		
6931.xxx.RENT (LENT)	Entrance Trim – Dallas, w/ angled pull	Set	9.5	
6931.xxx.RDBL (LDBL)	Double Cylinder – w/ angled pull	Set	\$475	\$550
6931.xxx.RFD (LFD)	Full Dummy – w/ angled pull	Set		
6931.xxx.ENFD†	1 Active Entrance Set + 1 Full Dummy Set	2 Sets	950†	1100†
6953.xxx.R (L)	Active Exterior Trim only – w/ angled pull	Each	355	400
6953.xxx.RDM (LDM)	Dummy Exterior only – w/ angled pull	Each		
6940.xxx.ENTR	Entrance Trim – Denver	Set		
6940.xxx.DBLC	Double Cylinder	Set	\$375	450
6940.xxx.FD	Full Dummy	Set		
6940.xxx.RDM (LDM)	Dummy Exterior only	Each	190	220
	Interior Escutcheon –			
6988.xxx.KC	Cut for Cylinder (KC), Double Cylinder	Each		
6988.xxx.KE**	Cut for Emergency Release (KE)	Each	95	130
6988.xxx.KN	Cut for Knob (KN), Passage/Dummy	Each		
6988.xxx.KT	Interior Escutcheon w/ Turn Knob (KT)	Each	130	170

NOTE: 030 is not available with Entry Trim or KC escutcheons
†.ENFD only available in 050, 112 & 190, to ensure a finish match on all components.

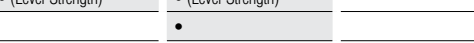


Trim width: 1.625"
Trim thickness: .093" – B

Dallas Sets	6931.xxx.RENT (LENT)	6931.xxx.RDBL (LDBL)	6931.xxx.RFD (LFD)
Exterior Trim	6953.xxx.R	6953.xxx.R	6953.xxx.RDM
Interior Escutcheon	6988.xxx.KT	6988.xxx.KC	6988.xxx.KN
Knob/Lever	5105.xxx.RMR (LMR)	5105.xxx.RMR (LMR)	5105.xxx.RMR (LMR)
Spindle	0530 (2.375" Half)	0530 (2.375" Half)	5092 (1.125" Dummy)
Cylinder	8321 (1.75" Door)	• (Double)	6761 (Dummy)
Mortise Lock	•	•	
Blocking Ring		•	



Denver Sets	6940.xxx.ENTR	6940.xxx.DBLC	6940.xxx.FD
Exterior Trim	6988.xxx.KC	6988.xxx.KC	6940.xxx.RDM
Interior Escutcheon	6988.xxx.KT	6988.xxx.KC	6988.xxx.KN
Knob/Lever	5105.xxx.MR (Pair)	5105.xxx.MR (Pair)	5105.xxx.MR (Pair)
Spindle	0520 (3.5" Swivel)	0520 (3.5" Swivel)	0510 (3.5" Straight)
Cylinder	•	• (Double)	
Mortise Lock	• (Lever Strength)	• (Lever Strength)	
Blocking Ring		•	



Designer	Dallas Entrance	Denver Privacy
Exterior Trim	6953.xxx.R (L)	6988.xxx.KE**
Interior Escutcheon	6988.xxx.KT	6988.xxx.KT
Knob/Lever	Half Pair	Pair
Spindle	•	•
Cylinder	•	
Mortise Lock	•	• Latch & Mortise Bolt or Lock
Blocking Ring		
Turn Knob		

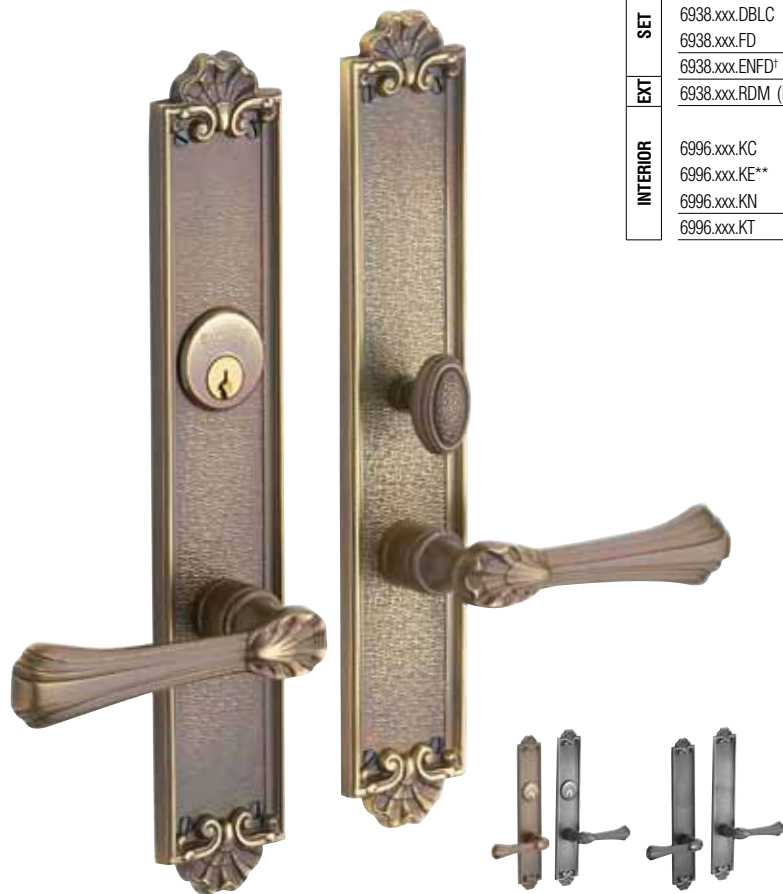
REQUIRED

SEE BACK COVER FLAP for easy-ordering charts and requirements for doors thicker than 1.75"

** (All .KE hardware include 6701 ER cover)

MUST ORDER SEPARATELY
shown in grey

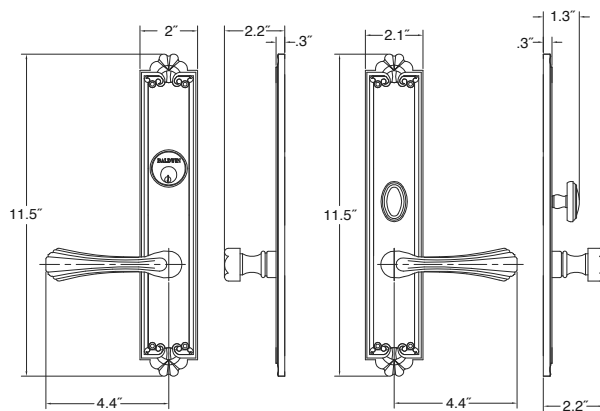
ENTRANCE TRIM, MORTISE MOBILE



030, 031
033, 034, 040
050, 060, 102 **003, 055**
112, 150, 151 **056, 402**
190, 260, 264 **412, 452**

	Item #	Description	Wt.		
SET	6938.xxx.ENTR	Entrance Trim	Set	3.5	
	6938.xxx.DBLC	Double Cylinder	Set	\$475	\$550
	6938.xxx.FD	Full Dummy	Set		
EXT	6938.xxx.ENFD ¹	1 Active Entrance Set + 1 Full Dummy Set	2 Sets	950 ¹	1100 ¹
	6938.xxx.RDM (LDM)	Dummy Exterior only	Each	240	270
INTERIOR		Interior Escutcheon –			
	6996.xxx.KC	Cut for Cylinder (KC), Double Cylinder	Each		
	6996.xxx.KE**	Cut for Emergency Release (KE)	Each	185	220
	6996.xxx.KN	Cut for Knob (KN), Passage/Dummy	Each		
	6996.xxx.KT	Interior Escutcheon w/ Turn Knob (KT)	Each	220	260

NOTE: 030 is not available with Entry Trim or KC escutcheons
¹ENFD only available in 050, 112 & 190, to ensure a finish match on all components.



Trim thickness: .125" – C

Sets	6938.xxx.ENTR	6938.xxx.DBLC	6938.xxx.FD
Exterior Trim	6996.xxx.KC	6996.xxx.KC	6938.xxx.RDM
Interior Escutcheon	6996.xxx.KT	6996.xxx.KC	6996.xxx.KN
Knob/Lever	5117.xxx.MR (Pair)	5117.xxx.MR (Pair)	5117.xxx.MR (Pair)
Spindle	0520 (3.5" Swivel)	0520 (3.5" Swivel)	0510 (3.5" Straight)
Cylinder	8323 (1.75" Door)	• (Double)	
Mortise Lock	• (Lever Strength)	• (Lever Strength)	
Blocking Ring		•	



Designer	Entrance	Privacy	Passage
Exterior Trim	6996.xxx.KC	6996.xxx.KE**	
Interior Escutcheon	6996.xxx.KT	6996.xxx.KT	6996.xxx.KN (x2)
Knob/Lever	Pair	Pair	Pair
Spindle	•	•	•
Cylinder	•		
Mortise Lock	• (Lever Strength)	• (Latch or Interior Lock)	• (Latch or Interior Lock)
Blocking Ring			
Turn Knob			

REQUIRED

SEE BACK COVER FLAP for easy-ordering charts and requirements for doors thicker than 1.75"

MUST ORDER SEPARATELY
shown in grey

** (All .KE hardware include 6701 ER cover)

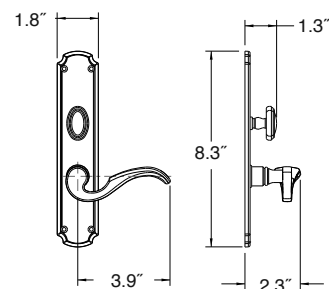
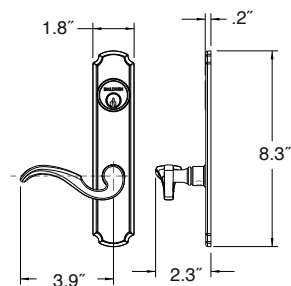
BALDWIN



030, 031
033, 034, 040
050, 060, 102 **003, 055**
112, 150, 151 **056, 402**
190, 260, 264 **412, 452**

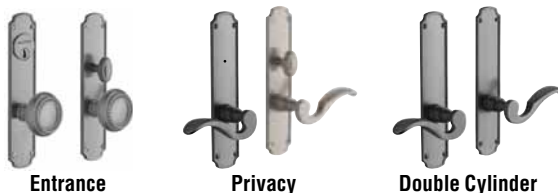
	Item #	Description	Wt.		
SET	6942.xxx.ENTR	Entrance Trim	Set 3.0		
	6942.xxx.DBLC	Double Cylinder	Set	\$375	\$450
	6942.xxx.FD	Full Dummy	Set		
	6942.xxx.ENFD ¹	1 Active Entrance Set + 1 Full Dummy Set	2 Sets	750 ¹	900 ¹
EXT	6942.xxx.RDM (LDM)	Dummy Exterior only	Each	190	220
		Interior Escutcheon –			
INTERIOR	6986.xxx.KC	Cut for Cylinder (KC), Double Cylinder	Each		
	6986.xxx.KE**	Cut for Emergency Release (KE)	Each	95	130
	6986.xxx.KN	Cut for Knob (KN), Passage/Dummy	Each		
	6986.xxx.KT	Interior Escutcheon w/ Turn Knob (KT)	Each	130	170

NOTE: 030 is not available with Entry Trim or KC escutcheons
¹.ENFD only available in 050, 112 & 190, to ensure a finish match on all components.



Trim thickness: .125" – C

Sets	6942. xxx. ENTR	6942. xxx. DBLC	6942. xxx. FD
Exterior Trim	6986. xxx. KC	6986. xxx. KC	6942. xxx. RDM
Interior Escutcheon	6986. xxx. KT	6986. xxx. KC	6986. xxx. KN (x2)
Knob/Lever	5152. xxx. MR (Pair)	5152. xxx. MR (Pair)	5152. xxx. MR (Pair)
Spindle	0522 (4" Swivel)	0522 (4" Swivel)	0511 (4" Straight)
Cylinder	8322 (1.75" Door)	8325 (1.75" Door)	
Mortise Lock	• (Lever Strength)	• (Lever Strength)	
Blocking Ring		•	



Designer	Entrance	Privacy	Double Cylinder
Exterior Trim	6986. xxx. KC	6986. xxx. KE**	
Interior Escutcheon	6986. xxx. KT	6986. xxx. KT or .KP	6986. xxx. KN (x2)
Knob/Lever	Pair	Pair	Pair
Spindle	•	•	•
Cylinder	•		
Mortise Lock	•	• (Latch & Bolt or Lock)	• (Latch & Bolt or Interior Lock)
Blocking Ring			
Turn Knob			

REQUIRED

SEE BACK COVER FLAP for easy-ordering charts and requirements for doors thicker than 1.75"

**(All .KE hardware include 6701 ER cover)

MUST ORDER SEPARATELY
shown in grey

ENTRANCE TRIM, MORTISE PASADENA



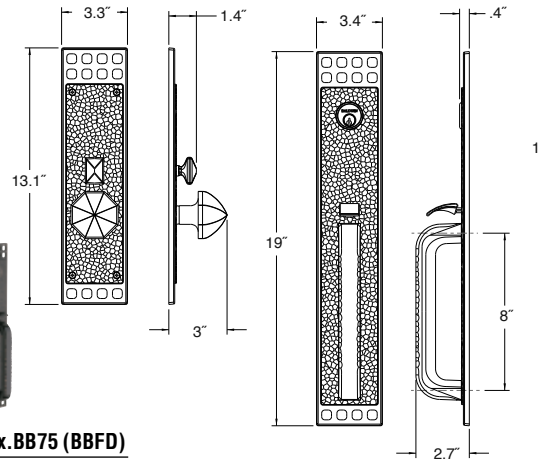
030, 031
033, 034, 040
050, 060, 102
112, 150, 151
190, 260, 264

003, 055
056, 402
412, 452



	Item #	Description	Wt.		
SET	6944.xxx.ENTR	Entrance Trim	Set	9.5	
	6944.xxx.DBLC	Double Cylinder	Set	\$775	\$850
	6944.xxx.FD	Full Dummy	Set		
	6944.xxx.ENFD ¹	1 Active Entrance Set + 1 Full Dummy Set	2 Sets	1550 ¹	1700 ¹
	6641.xxx.BB75	Entrance Back-to-Back – 1.75" door	Set		
	6641.xxx.BB30	Entrance Back-to-Back – 3" door	Set	1075	1150
EXT	6641.xxx.BBFD	Dummy Back-to-Back	Set		
	6641.xxx	Active Exterior Trim	Each	580	625
INTERIOR	6641.xxx.DM	Dummy Exterior Trim	Each		
	6714.xxx.KC	Interior Escutcheon – Cut for Cylinder (KC), Double Cylinder	Each		
	6714.xxx.KE**	Cut for Emergency Release (KE)	Each	185	220
	6714.xxx.KN	Cut for Knob (KN), Passage/Dummy	Each		
	6714.xxx.KT	Interior Escutcheon w/ Turn Knob (KT)	Each	220	260

NOTE: 030 is not available with Entry Trim or KC escutcheons
¹.ENFD only available in 050, 112 & 190, to ensure a finish match on all components.



Trim width: 3.35"
 Trim thickness: .375" – G

Sets

	6944.xxx.ENTR	6944.xxx.DBLC	6944.xxx.FD	6641.xxx.BB75 (BBFD)
Exterior Trim	6641.xxx	6641.xxx	6641.xxx.DM	6641.xxx (x2)
Interior Escutcheon	6714.xxx.KT	6714.xxx.KC	6714.xxx.KN	
Knob/Lever	5063.xxx.IMR	5063.xxx.IMR	5063.xxx.IMR	
Spindle	0530 (2.375" Half)	0530 (2.375" Half)	0592 (1.125" Dummy)	
Cylinder	8323 (1.75" Door)	• (Double)	6761 (Dummy)	• (Double)
Mortise Lock	•	•		•
Blocking Ring		•		•



Designer

	Entrance	Entrance	Double Cylinder	Privacy	Passage
Exterior Trim	6641.xxx	6714.xxx.KC	6714.xxx.KC	6714.xxx.KE**	
Interior Escutcheon	6714.xxx.KT	6714.xxx.KT	6714.xxx.KC	6714.xxx.KT or .KP	6714.xxx.KN (x2)
Knob/Lever	Half Pair	Pair	Pair	Pair	Pair
Spindle	•	•	•	•	•
Cylinder	•	•	• (Double)		
Mortise Lock	• (Lever Strength)	•	•	• (Latch & Bolt or Lock)	• (Latch or Interior Lock)
Blocking Ring			•	Other- ER Trim	
Turn Knob					

REQUIRED

SEE BACK COVER FLAP for easy-ordering charts and requirements for doors thicker than 1.75"

MUST ORDER SEPARATELY

shown in grey

** (All .KE hardware include 6701 ER cover)

BALDWIN

ENTRANCE TRIM, MORTISE VICTORIA / VERSAILLES



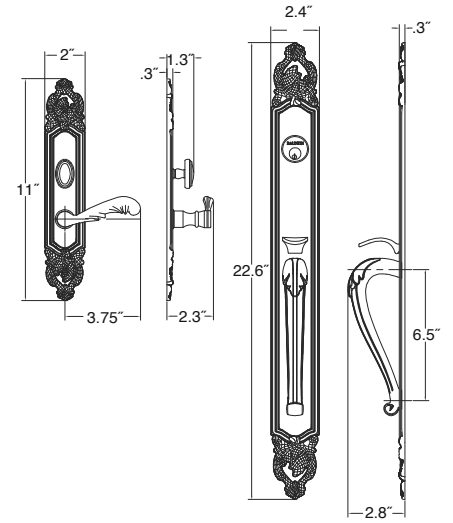
030, 031
033, 034, 040
050, 060, 102
112, 150, 151
190, 260, 264

003, 055
056, 402
412, 452



	Item #	Description	Wt.		
SET	6948.xxx.RENT (LENT)	Entrance Trim – Victoria	Set	9.5	
	6948.xxx.RDBL (LDBL)	Double Cylinder	Set	\$775	\$850
	6948.xxx.RFD (LFD)	Full Dummy	Set		
EXT	6948.xxx.ENFD†	1 Active Entrance Set + 1 Full Dummy Set	2 Sets	1550†	1700†
	6956.xxx.BB75	Entrance Back-to-Back – 1.75" door	Each	1075	1150
	6956.xxx.BBFD	Dummy Back-to-Back	Each		
SET	6956.xxx	Active Exterior Trim only	Each	580	625
	6956.xxx.DM	Dummy Exterior only	Each		
	6933.xxx.ENTR	Entrance Trim – Versailles	Set		
EXT	6933.xxx.DBLC	Double Cylinder	Set	475	550
	6933.xxx.FD	Full Dummy	Set		
	6933.xxx.ENFD†	1 Active Entrance Set + 1 Full Dummy Set	2 Sets	950†	1100†
INT	6933.xxx.RDM (LDM)	Dummy Exterior only	Each	240	270
	6993.xxx.KC	Interior Escutcheon – Cut for Cylinder (KC), Double Cylinder	Each		
	6993.xxx.KE**	Cut for Emergency Release (KE)	Each	185	220
	6993.xxx.KN	Cut for Knob (KN), Passage/Dummy	Each		
	6993.xxx.KT	Interior Escutcheon w/ Turn Knob (KT)	Each	220	260

NOTE: 030 is not available with Entry Trim or KC escutcheons
†ENFD only available in 050, 112 & 190, to ensure a finish match on all components.



Trim width: 2.4"
Trim thickness: .188" – D

Victoria Sets	6948 .xxx.RENT (LENT)	6948 .xxx.RDBL (LDBL)	6948 .xxx.RFD (LFD)	6956 .xxx.BB75 (BBFD)
Exterior Trim	6956.xxx	6956.xxx	6956.xxx.DM	6956.xxx (x2)
Interior Escutcheon	6993.xxx.KT	6993.xxx.KC	6993.xxx.KN	
Knob/Lever	5121.xxx.RMR (LMR)	5121.xxx.RMR (LMR)	5121.xxx.RMR (LMR)	
Spindle	0531 (2.875" Half)	0531 (2.875" Half)	5092 (1.125" Dummy)	
Cylinder	8322 (1.75" Door)	• (Double)	6761 (Dummy)	• (Double)
Mortise Lock	• (Lever Strength)	•		•
Blocking Ring		•		•

Versailles Sets	6951 .xxx.ENTR	6951 .xxx.DBLC	6951 .xxx.FD
Exterior Trim	6993.xxx.KC	6993.xxx.KC	6993.xxx.KN (x2)
Interior Escutcheon	6993.xxx.KT	6993.xxx.KC	6993.xxx.KN (x2)
Knob/Lever	5121.xxx.MR (Pair)	5121.xxx.MR (Pair)	5121.xxx.MR (Pair)
Spindle	0520 (3.5" Swivel)	0520 (3.5" Swivel)	0510 (3.5" Straight)
Cylinder	•	• (Double)	
Mortise Lock	• (Lever Strength)	• (Lever Strength)	
Blocking Ring		•	

REQUIRED

Designer	Victoria Entrance	Versailles Privacy
Exterior Trim	6956.xxx	6993.xxx.KE**
Interior Escutcheon	6993.xxx.KT	6993.xxx.KT or .KP
Knob/Lever	Half Pair	Pair
Spindle	•	•
Cylinder	•	
Mortise Lock	• (Lever Strength)	• (Latch & Bolt or Lock)
Blocking Ring		
Turn Knob		

SEE BACK COVER FLAP for easy-ordering charts and requirements for doors thicker than 1.75"

** (All .KE hardware include 6701 ER cover)

MUST ORDER SEPARATELY
shown in grey

ENTRANCE TRIM, MORTISE KENSINGTON / WESTMINSTER



030, 031
033, 034, 040
050, 060, 102
112, 150, 151
190, 260, 264

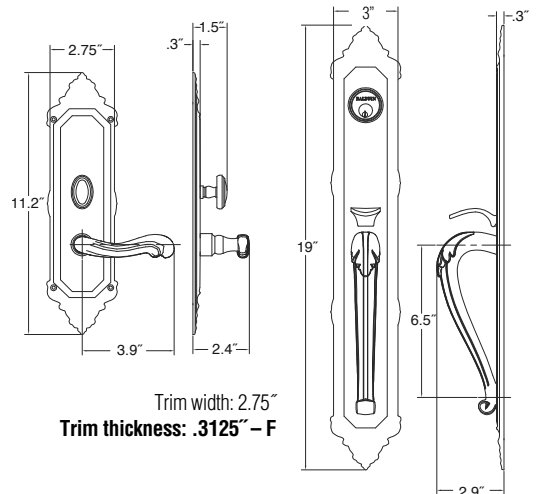
003, 055
056, 402
412, 452

	Item #	Description	Wt.		
SET	6950.xxx.RENT (LENT)	Entrance Trim – Kensington	Set	9.5	
	6950.xxx.RDBL (LDBL)	Double Cylinder	Set	\$775	\$850
	6950.xxx.RFD (LFD)	Full Dummy	Set		
	6950.xxx.ENFD [†]	1 Active Entrance Set + 1 Full Dummy Set	2 Sets	1550 [†]	1700 [†]
	6624.xxx.BB75	Entrance Back-to-Back – 1.75" door	Set		
EXT	6624.xxx.BB30	Entrance Back-to-Back – up to 3" door	Set	1075	1150
	6624.xxx.BBFD	Dummy Back-to-Back	Set		
SET	6624.xxx	Active Exterior Trim only	Each	580	625
	6624.xxx.DM	Dummy Exterior only	Each		
	6961.xxx.ENTR	Entrance Trim – Westminster	Set		
SET	6961.xxx.DBLC	Double Cylinder	Set	475	550
	6961.xxx.FD	Full Dummy	Set		
EXT	6961.xxx.ENFD*	1 Active Entrance Set + 1 Full Dummy Set	2 Sets	950*	1100*
	6961.xxx.DM	Dummy Exterior only	Each	240	270
INTERIOR		Interior Escutcheon –			
	6790.xxx.KC	Cut for Cylinder (KC), Double Cylinder	Each		
	6790.xxx.KE**	Cut for Emergency Release (KE)	Each	185	220
	6790.xxx.KN	Cut for Knob (KN), Passage/Dummy	Each		
	6790.xxx.KT	Interior Escutcheon w/ Turn Knob (KT)	Each	220	260
	6790.xxx.KP	Escutcheons Cut for Privacy (KP)	Pair	370	440

NOTE: 030 is not available with Entry Trim or KC escutcheons
[†]ENFD only available in 050, 112 & 190, to ensure a finish match on all components.

Kensington Sets

	6950.xxx.RENT (LENT)	6950.xxx.RDBL (LDBL)	6950.xxx.RFD (LFD)	6624.xxx.BB75 (BB30, BBFD)
Exterior Trim	6624.xxx	6624.xxx	6624.xxx.DM	6624.xxx (x2)
Interior Escutcheon	6790.xxx.KT	6790.xxx.KC	6790.xxx.KN	
Knob/Lever	5108.xxx.RMR (LMR)	5108.xxx.RMR (LMR)	5108.xxx.RMR (LMR)	
Spindle	0530 (2.375" Half)	0530 (2.375" Half)	5092 (1.125" Dummy)	
Cylinder	8323 (1.75" Door)	• (Double)	6761 (Dummy)	• (Double)
Mortise Lock	• (Lever Strength)	• (Lever Strength)		•
Blocking Ring		•		•



Westminster Sets

	6961.xxx.ENTR	6961.xxx.DBLC	6961.xxx.FD
Exterior Trim	6790.xxx.KC	6790.xxx.KC	
Interior Escutcheon	6790.xxx.KT	6790.xxx.KC	6790.xxx.KN (x2)
Knob/Lever	5108.xxx.MR (Pair)	5108.xxx.MR (Pair)	5108.xxx.MR (Pair)
Spindle	0522 (4" Swivel)	0522 (4" Swivel)	0522 (4" Straight)
Cylinder	•	• (Double)	
Mortise Lock	• (Lever Strength)	• (Lever Strength)	
Blocking Ring		•	

Designer

	Kensington Entrance	Westminster Entrance
Exterior Trim	6624.xxx	6790.xxx.KE**
Interior Escutcheon	6790.xxx.KT	6790.xxx.KT or .KP
Knob/Lever	Half Pair	Pair
Spindle	•	•
Cylinder	•	•
Mortise Lock	• (Lever Strength)	• Latch & Bolt, Lock or Latch)
Blocking Ring		
Turn Knob		

REQUIRED

SEE BACK COVER FLAP for easy-ordering charts and requirements for doors thicker than 1.75"

MUST ORDER SEPARATELY
shown in grey

** (All .KE hardware include 6701 ER cover)

BALDWIN

ENTRANCE TRIM, MORTISE EDINBURGH / FENWICK



030, 031
033, 034, 040
050, 060, 102
112, 150, 151
190, 260, 264

003, 055
056, 402
412, 452

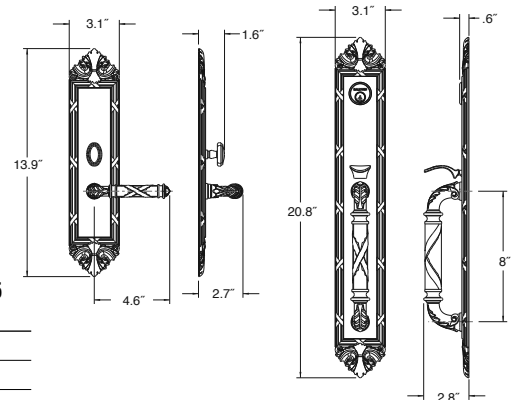


	Item #	Description	Wt.		
SET	6952.xxx.RENT (LENT)	Entrance Trim – Edinburgh	Set	9.5	
	6952.xxx.RDBL (LDBL)	Double Cylinder	Set	\$775	\$850
	6952.xxx.RFD (LFD)	Full Dummy	Set		
	6952.xxx.ENFD*	1 Active Entrance Set + 1 Full Dummy Set	2 Sets	1550*	1700*
	6652.xxx.BB75	Entrance Back-to-Back – 1.75" door	Set		
EXT	6652.xxx.BB30	Entrance Back-to-Back – up to 3" door	Set	1075	1150
	6652.xxx.BBFD	Dummy Back-to-Back	Set		
EXT	6652.xxx	Active Exterior Trim only	Each	580	625
	6652.xxx.DM	Dummy Exterior only	Each		
SET	6962.xxx.ENTR	Entrance Trim – Fenwick	Set		
	6962.xxx.DBLC	Double Cylinder	Set	475	550
	6962.xxx.FD	Full Dummy	Set		
EXT	6962.xxx.ENFD*	1 Active Entrance Set + 1 Full Dummy Set	2 Sets	980*	1100*
	6962.xxx.DM	Dummy Exterior only	Each	240	270
INT		Interior Escutcheon –			
	6789.xxx.KC	Cut for Cylinder (KC), Double Cylinder	Each		
	6789.xxx.KE**	Cut for Emergency Release (KE)	Each	185	220
	6789.xxx.KN	Cut for Knob (KN), Passage/Dummy	Each		
	6789.xxx.KT	Interior Escutcheon w/ Turn Knob (KT)	Each	220	260
	6789.xxx.KP	Escutcheons Cut for Privacy (KP)	Pair	370	440

NOTE: 030 is not available with Entry Trim or KC escutcheons
†.ENFD only available in 050, 112 & 190, to ensure a finish match on all components.

Edinburgh Sets

	6952.xxx.LENT (RENT)	6952.xxx.LDBL (RDBL)	6952.xxx.LFD (RFD)	6652.xxx.BB75 (BB30, BBFD)
Exterior Trim	6652.xxx	6652.xxx	6652.xxx.DM	6652.xxx (x2)
Interior Escutcheon	6789.xxx.KT	6789.xxx.KC	6789.xxx.KN	
Knob/Lever	5122.xxx.RMR (LMR)	5122.xxx.RMR (LMR)	5122.xxx.RMR (LMR)	
Spindle	0530 (2.375" Half)	0530 (2.375" Half)	5092 (1.125" Dummy)	
Cylinder	8324 (1.75" Door)	• (Double)	6761 (Dummy)	• (Double)
Mortise Lock	• (Lever Strength)	•		•
Blocking Ring		•		•



Trim width: 3.0"
Trim thickness: .435" – H

Fenwick Sets

	6962.xxx.ENTR	6962.xxx.DBLC	6962.xxx.FD
Exterior Trim	6789.xxx.KC	6789.xxx.KC	
Interior Escutcheon	6789.xxx.KT	6789.xxx.KC	6789.xxx.KN (x2)
Knob/Lever	5122.xxx.MR (Pair)	5122.xxx.MR (Pair)	5122.xxx.MR (Pair)
Spindle	0524 (4" Swivel)	0524 (4" Swivel)	0514 (4" Straight)
Cylinder	•	• (Double)	
Mortise Lock	• (Lever Strength)	• (Lever Strength)	
Blocking Ring		•	

REQUIRED

Designer

	Edinburgh Entrance	Fenwick Privacy
Exterior Trim	6652.xxx	6789.xxx.KE**
Interior Escutcheon	6789.xxx.KT	6789.xxx.KT
Knob/Lever	Half Pair	Pair
Spindle	•	•
Cylinder	•	
Mortise Lock	•	• Latch & Bolt, Lock or Latch
Blocking Ring		
Turn Knob		

SEE BACK COVER FLAP for easy-ordering charts and requirements for doors thicker than 1.75"

** (All .KE hardware include 6701 ER cover)

MUST ORDER SEPARATELY

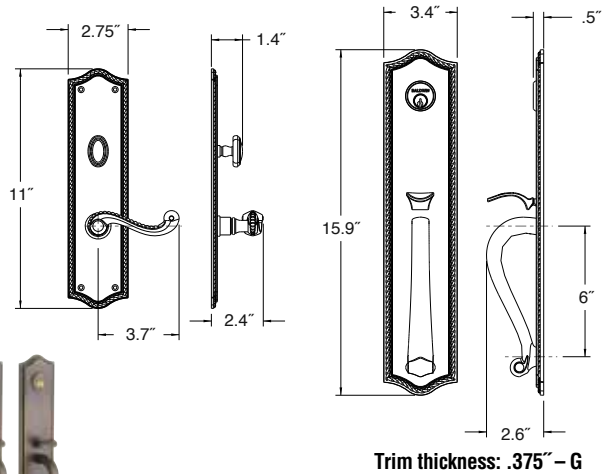
shown in grey

ENTRANCE TRIM, MORTISE BRISTOL



Item #	Description	Wt.	030, 031 033, 034, 040 050, 060, 102 112, 150, 151 190, 260, 264	003, 055 056, 402 412, 452
6963.xxx.RENT (LENT)	Entrance Trim – Bristol	Set	9.5	
6963.xxx.RDBL (LDBL)	Double Cylinder	Set	\$775	\$850
6963.xxx.RFD (LFD)	Full Dummy	Set		
6963.xxx.ENFD†	1 Active Entrance Set + 1 Full Dummy Set	2 Sets	1550†	1700†
6627.xxx.BB75	Entrance Back-to-Back – 1.75" door	Set		
6627.xxx.BB30	Entrance Back-to-Back – up to 3" door	Set	1075	1150
6627.xxx.BBFD	Dummy Back-to-Back	Set		
6627.xxx	Active Exterior Trim only	Each	580	625
6627.xxx.DM	Dummy Exterior only	Each		
6939.xxx.ENTR	Entrance Trim – Bristol Lever Set	Set		
6939.xxx.DBLC	Double Cylinder	Set	475	550
6939.xxx.FD	Full Dummy	Set		
6939.xxx.ENFD†	1 Active Entrance Set + 1 Full Dummy Set	2 Sets	950†	1100†
6939.xxx.RDM (LDM)	Dummy Exterior only	Each	240	270

NOTE: 030 is not available with Entry Trim or KC escutcheons
†.ENFD only available in 050, 112 & 190, to ensure a finish match on all components.



Sets	6963.xxx.LENT (RENT)	6963.xxx.LDBL (RDBL)	6963.xxx.LFD (RFD)	6627.xxx.BB75 (BB30, BBFD)
Exterior Trim	6627.xxx	6627.xxx	6627.xxx.DM	6627.xxx (x2)
Interior Escutcheon	6991.xxx.KT	6991.xxx.KC	6991.xxx.KN	
Knob/Lever	5104.xxx.RMR (LMR)	5104.xxx.RMR (LMR)	5104.xxx.RMR (LMR)	
Spindle	0530 (2.375" Half)	0530 (2.375" Half)	5092 (1.125" Dummy)	•
Cylinder	8323 (1.75" Door)	• (Double)	6761 (Dummy)	• (Double)
Mortise Lock	• (Lever Strength)	• (Lever Strength)		•
Blocking Ring		•		•



Sets	6939.xxx.ENTR	6939.xxx.DBLC	6939.xxx.FD
Exterior Trim	6991.xxx.KC	6991.xxx.KC	6939.xxx.RDM
Interior Escutcheon	6991.xxx.KT	6991.xxx.KC	6991.xxx.KN
Knob/Lever	5104.xxx.MR (Pair)	5104.xxx.MR (Pair)	5104.xxx.MR (Pair)
Spindle	0522 (4" Swivel)	0522 (4" Swivel)	0511 (4" Straight)
Cylinder	•	• (Double)	
Mortise Lock	• (Lever Strength)	• (Lever Strength)	
Blocking Ring		•	



Designer	Entrance	Privacy
Exterior Trim	6627.xxx	6991.xxx.KE**
Interior Escutcheon	6991.xxx.KT	6991.xxx.KT or KP
Knob/Lever	Half Pair	Pair
Spindle	•	•
Cylinder	•	
Mortise Lock	•	•
Blocking Ring		
Turn Knob		

REQUIRED

SEE BACK COVER FLAP for easy-ordering charts and requirements for doors thicker than 1.75"

MUST ORDER SEPARATELY
shown in grey

** (All .KE hardware include 6701 ER cover)

BALDWIN

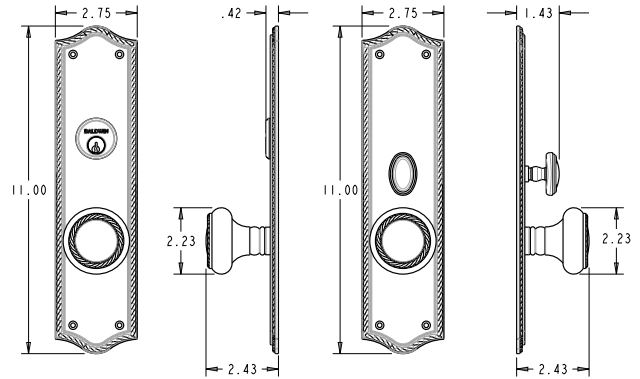


030, 031
033, 034, 040
050, 060, 102 **003, 055**
112, 150, 151 **056, 402**
190, 260, 264 **412, 452**



	Item #	Description	Wt.	
SET	6554.xxx.ENTR	Entrance Trim – Barclay (Knob) Set	Set	
	6554.xxx.DBLC	Double Cylinder	Set	475 \$550
	6554.xxx.FD	Full Dummy	Set	
EXT	6554.xxx.ENFD†	1 Active Entrance Set + 1 Full Dummy Set	2 Sets	950† 1100†
	6554.xxx.DM	Dummy Exterior only	Each	240 270
INTERIOR	Interior Escutcheon –			
	6991.xxx.KC	Cut for Cylinder (KC), Double Cylinder	Each	
	6991.xxx.KE**	Cut for Emergency Release (KE)	Each	185 220
	6991.xxx.KN	Cut for Knob (KN), Passage/Dummy	Each	
	6991.xxx.KT	Interior Escutcheon w/ Turn Knob (KT)	Each	220 260
	6991.xxx.KP	Escutcheons Cut for Privacy (KP)	Pair	370 440

NOTE: 030 is not available with Entry Trim or KC escutcheons
†.ENFD only available in 050, 112 & 190, to ensure a finish match on all components.



Trim thickness: .375" – G

Sets	6554.xxx.ENTR	6554.xxx.DBLC	6554.xxx.FD
Exterior Trim	6991.xxx.KC	6991.xxx.KC	
Interior Escutcheon	6991.xxx.KT	6991.xxx.KC	6991.xxx.KN (x2)
Knob/Lever	5064.xxx.MR (Pair)	5064.xxx.MR (Pair)	5064.xxx.MR (Pair)
Spindle	0522 (4" Swivel)	0522 (4" Swivel)	0511 (4" Straight)
Cylinder	•	• (Double)	
Mortise Lock	• (Knob Strength)	• (Knob Strength)	
Blocking Ring		•	



Designer	Passage
Exterior Trim	
Interior Escutcheon	6991.xxx.KN (x2)
Knob/Lever	Pair
Spindle	•
Cylinder	
Mortise Lock	• (Latch or Interior Lock)
Blocking Ring	
Turn Knob	

REQUIRED

SEE BACK COVER FLAP for easy-ordering charts and requirements for doors thicker than 1.75"

** (All .KE hardware include 6701 ER cover)

MUST ORDER SEPARATELY
shown in grey

ENTRANCE TRIM, MORTISE LAKESHORE

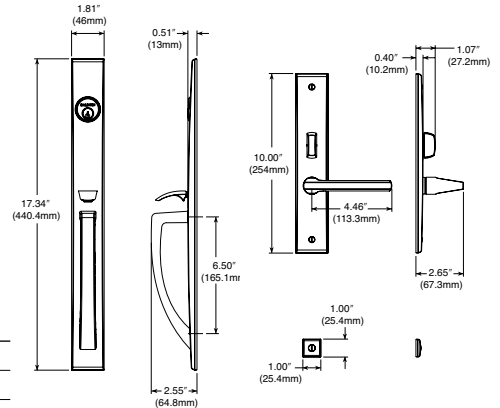


030, 031
033, 034, 040
050, 060, 102
112, 150, 151
190, 260, 264

003, 055
056, 402
412, 452

	Item #	Description	Wt.		
SET	6966.xxx.RENT (LENT)	Entrance Trim – Lakeshore	Set	5.0	
	6966.xxx.RDBL (LDBL)	Double Cylinder	Set		\$775 \$850
	6966.xxx.RFD (LFD)	Full Dummy	Set		
	6966.xxx.ENFD†	1 Active Entrance Set + 1 Full Dummy Set	2 Sets		1550† 1700†
	6553.xxx.BB75	Entrance Back-to-Back – 1.75" door	Set		
EXT	6553.xxx.BB30	Entrance Back-to-Back – up to 3" door	Set		1075 1150
	6553.xxx.BBFD	Dummy Back-to-Back	Set		
SET	6553.xxx	Active Exterior Trim only	Each		580 625
	6553.xxx.DM	Dummy Exterior only	Each		
	6974.xxx.ENTR	Entrance Trim – Lakeshore Lever Set	Set	3.5	
EXT	6974.xxx.DBLC	Double Cylinder	Set		475 550
	6974.xxx.FD	Full Dummy	Set		
INTERIOR	6974.xxx.ENFD†	1 Active Entrance Set + 1 Full Dummy Set	2 Sets		950† 1100†
	6974.xxx.RDM (LDM)	Dummy Exterior only	Each		240 270
INTERIOR		Interior Escutcheon –			
	6502.xxx.KCOS (KCIS)	Cut for Cylinder (KC), Double Cylinder	Each		
	6502.xxx.KEOS (KEIS)	Cut for Emergency Release (KE)	Each		185 220
	6502.xxx.KNOS (KNIS)	Cut for Knob (KN), Passage/Dummy	Each		
	6502.xxx.KTOS (KTIS)	Interior Escutcheon w/ Turn Knob (KT)	Each		220 260

NOTE: 030 is not available with Entry Trim or KC escutcheons
†.ENFD only available in 050, 112 & 190, to ensure a finish match on all components.



Sets

	6966.xxx.RENT (LENT)	6966.xxx.RDBL (LDBL)	6966.xxx.RFD (LFD)	6553.xxx.BB75 (BB30, BBFD)
Exterior Trim	6553.xxx	6553.xxx	6553.xxx.DM	6553.xxx (x2)
Interior Escutcheon	6502.xxx.KTIS	6502.xxx.KCIS	6502.xxx.KNIS	
Knob/Lever	5162.xxx.LMR (.RMR)	5162.xxx.LMR (.RMR)	5162.xxx.LMR (.RMR)	
Spindle	0530 (2.375" Half)	0531 (2.375" Half)	5092 (1.5" Dummy)	
Cylinder	8323 (1.75" Door)	• (Double)	6761 (Dummy)	• (Double)
Mortise Lock	• (Lever Strength)	• (Lever Strength)		•
Blocking Ring		•		•

Trim thickness: .375" – G



Sets

	6974.xxx.ENTR	6974.xxx.DBLC	6974.xxx.FD
Exterior Trim	6502.xxx.KCOS	6502.xxx.KCOS	6502.xxx.KNOS
Interior Escutcheon	6502.xxx.KTIS	6502.xxx.KCIS	6502.xxx.KNIS
Knob/Lever	5162.xxx.MR (Pair)	5162.xxx.MR (Pair)	5162.xxx.MR (Pair)
Spindle	0522 (4" Swivel)	0522 (4" Swivel)	0511 (4" Straight)
Cylinder	•	• (Double)	
Mortise Lock	• (Lever Strength)	• (Lever Strength)	
Blocking Ring		•	

REQUIRED

Designer

	Entrance	Privacy
Exterior Trim	6553.xxx	6502.xxx.KEOS**
Interior Escutcheon	6502.xxx.KTIS	6502.xxx.KTIS
Knob/Lever	Half Pair	Pair
Spindle	•	•
Cylinder	•	
Mortise Lock	• (Lever Strength)	• (Latch & Bolt or Lock)
Blocking Ring		
Turn Knob		

SEE BACK COVER FLAP for easy-ordering charts and requirements for doors thicker than 1.75"

MUST ORDER SEPARATELY

shown in grey

** (All .KE hardware include 6701 ER cover)

BALDWIN

ENTRANCE TRIM, MORTISE HOUSTON



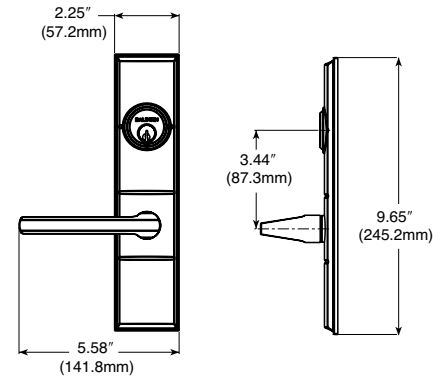
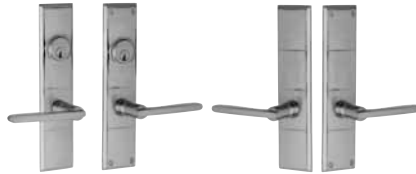
030, 031
033, 034, 040
050, 060, 102
112, 150, 151
190, 260, 264

003, 055
056, 402
412, 452



Item #	Description	Set	Wt.		
6973.xxx.ENTR	Entrance Trim	Set	4.0		
6973.xxx.DBLC	Double Cylinder	Set		\$475	\$550
6973.xxx.FD	Full Dummy	Set			
6973.xxx.ENFD†	1 Active Entrance Set + 1 Full Dummy Set	2 Sets		950†	1100†
6973.xxx.RDM (LDM)	Dummy Exterior only	Each		240	270
	Interior Escutcheon –				
6506.xxx.KCOS (KCIS)	Cut for Cylinder (KC), Double Cylinder	Each			
6506.xxx.KEOS (KEIS)	Cut for Emergency Release (KE)	Each		185	220
6506.xxx.KNOS (KNIS)	Cut for Knob (KN), Passage/Dummy	Each			
6506.xxx.KTOS (KTIS)	Interior Escutcheon w/ Turn Knob (KT)	Each		220	260
6506.xxx.KP	Escutcheons Cut for Privacy (KP)	Pair		370	440

NOTE: 030 is not available with Entry Trim or KC escutcheons
†.ENFD only available in 050, 112 & 190, to ensure a finish match on all components.



Trim thickness: .435" – H

Sets	6973.xxx.ENTR	6973.xxx.DBLC	6973.xxx.RFD (LFD)
Exterior Trim	6506.xxx.KCOS	6506.xxx.KCOS	6506.xxx.KNOS
Interior Escutcheon	6506.xxx.KTIS	6506.xxx.KCIS	6506.xxx.KNIS
Knob/Lever	5164.xxx.MR (Pair)	5164.xxx.MR (Pair)	5164.xxx.MR (Pair)
Spindle	0522 (4" Swivel)	0522 (4" Swivel)	0511 (4" Swivel)
Cylinder	8324 (1.75" Door)	• (Double)	
Mortise Lock	• (Lever Strength)	• (Lever Strength)	
Blocking Ring		•	



Designer	Entrance	Privacy	Passage
Exterior Trim	6506.xxx.KCOS	6506.xxx.KEOS	6506.xxx.KNOS
Interior Escutcheon	6506.xxx.KTIS	6506.xxx.KTIS	6506.xxx.KNIS
Knob/Lever	Pair	Pair	Pair
Spindle	•	•	•
Cylinder	•		
Mortise Lock	•	• (Latch & Bolt, Lock, or Latch)	• (Latch or Interior Lock)
Blocking Ring			
Turn Knob			

REQUIRED

SEE BACK COVER FLAP for easy-ordering charts and requirements for doors thicker than 1.75"

** (All .KE hardware include 6701 ER cover)

MUST ORDER SEPARATELY
shown in grey

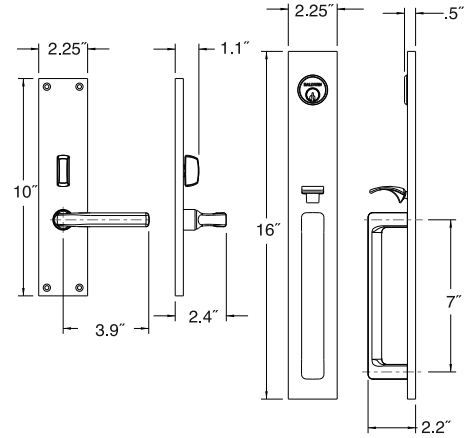
ENTRANCE TRIM, MORTISE MINNEAPOLIS



030, 031
033, 034, 040
050, 060, 102 **003, 055**
112, 150, 151 **056, 402**
190, 260, 264 **412, 452**

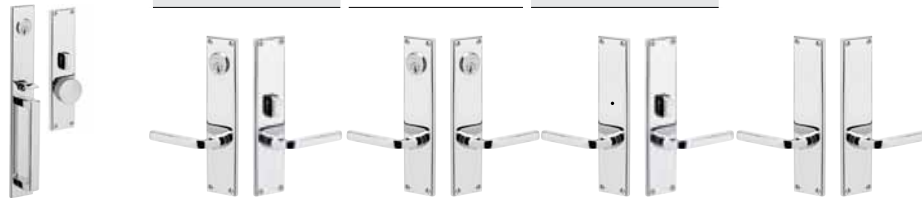
	Item #	Description	Wt.		
SET	6976.xxx.RENT (LENT)	Entrance Trim	Set	5.5	
	6976.xxx.RDBL (LDBL)	Double Cylinder	Set	\$475	\$550
	6976.xxx.RFD (LFD)	Full Dummy	Set		
	6976.xxx.ENFD†	1 Active Entrance Set + 1 Full Dummy Set	2 Sets	950†	1100†
	6620.xxx.BB75	Entrance Back-to-Back – 1.75" door	Set		
EXT	6620.xxx.BB30	Entrance Back-to-Back – up to 3" door	Set	775	850
	6620.xxx.BBFD	Dummy Back-to-Back	Set		
	6620.xxx	Active Exterior Trim	Each	355	400
INTERIOR	6620.xxx.DM	Dummy Exterior Trim	Each		
	6513.xxx.KC	Interior Escutcheon – Cut for Cylinder (KC), Double Cylinder	Each		
	6513.xxx.KE**	Cut for Emergency Release (KE)	Each	95	130
	6513.xxx.KN	Cut for Knob (KN), Passage/Dummy	Each		
	6514.xxx.KT	Interior Escutcheon w/ Turn Knob (KT)	Each	130	170

NOTE: 030 is not available with Entry Trim or KC escutcheons
†.ENFD only available in 050, 112 & 190, to ensure a finish match on all components.



Trim width: 2.25"
Trim thickness: .375" – G

Sets	6976.xxx.RENT (LENT)	6976.xxx.RDBL (LDBL)	6976.xxx.RFD (LFD)	6620.xxx.BB75 (BB30, BBFD)
Exterior Trim	6620.xxx	6620.xxx	6620.xxx.DM	6620.xxx (x2)
Interior Escutcheon	6514.xxx.KT	6513.xxx.KC	6513.xxx.KN	
Knob/Lever	5190.xxx.LMR (RMR)	5190.xxx.LMR (RMR)	5190.xxx.LMR (RMR)	
Spindle	0530 (2.375" Half)	0533 (2.25" Half)	5092 (1.5" Dummy)	
Cylinder	8325 (1.75" Door)	8325 (1.75" Door)	6761 (Dummy)	• (Double)
Mortise Lock	• (Lever Strength)	•		•
Blocking Ring		•		•



Designer	Entrance	Entrance	Double Cylinder	Privacy	Passage
Exterior Trim	6620.xxx	6513.xxx.KC	6513.xxx.KC	6513.xxx.KE**	
Interior Escutcheon	6514.xxx.KT	6514.xxx.KT	6513.xxx.KC	6514.xxx.KT	6513.xxx.KN (x2)
Knob/Lever	Half Pair	Pair	Pair	Pair	Pair
Spindle	•	•	•	•	•
Cylinder	•	•	• (Double)		
Mortise Lock	•	• (Lever Strength)	• (Lever Strength)	• (Latch & Bolt or Lock)	• (Latch or Interior Lock)
Blocking Ring			•		
Turn Knob					

REQUIRED

SEE BACK COVER FLAP for easy-ordering charts and requirements for doors thicker than 1.75"

MUST ORDER SEPARATELY
shown in grey

** (All .KE hardware include 6701 ER cover)

BALDWIN

ENTRANCE TRIM, MORTISE RICHLAND



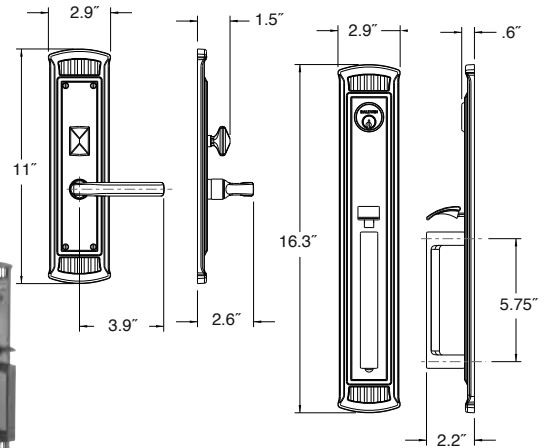
030, 031
033, 034, 040
050, 060, 102
112, 150, 151
190, 260, 264

003, 055
056, 402
412, 452



	Item #	Description	Wt.		
SET	6999.xxx.RENT (LENT)	Entrance Trim	Set	9.5	
	6999.xxx.RDBL (LDBL)	Double Cylinder	Set	\$775	\$850
	6999.xxx.RFD (LFD)	Full Dummy	Set		
	6999.xxx.ENFD†	1 Active Entrance Set + 1 Full Dummy Set	2 Sets	1550†	1700†
	6690.xxx.BB75	Entrance Back-to-Back – 1.75" door	Set		
EXT	6690.xxx.BBFD	Entrance Back-to-Back	Set	1075	1150
	6690.xxx	Active Exterior Trim	Each	580	625
INTERIOR	6690.xxx.DM	Dummy Exterior Trim	Each		
	6709.xxx.KC	Interior Escutcheon – Cut for Cylinder (KC), Double Cylinder	Each		
	6709.xxx.KE**	Cut for Emergency Release (KE)	Each	185	220
	6709.xxx.KN	Cut for Knob (KN), Passage/Dummy	Each		
	6709.xxx.KT	Interior Escutcheon w/ Turn Knob (KT)	Each	220	260

NOTE: 030 is not available with Entry Trim or KC escutcheons
†.ENFD only available in 050, 112 & 190, to ensure a finish match on all components.



Trim width: 2.9"
Trim thickness: .435" – H

Sets

	6999.xxx.RENT (LENT)	6999.xxx.RDBL (LDBL)	6999.xxx.RFD (LFD)	6690.xxx.BB75 (BBFD)
Exterior Trim	6690.xxx	6690.xxx	6690.xxx.DM	6690.xxx (x2)
Interior Escutcheon	6709.xxx.KT	6709.xxx.KC	6709.xxx.KN	
Knob/Lever	5190.xxx.RMR (LMR)	5190.xxx.RMR (LMR)	5190.xxx.RMR (LMR)	
Spindle	0530 (2.375" Half)	0530 (2.375" Half)	5092 (1.125" Dummy)	5092 (1.125" Dummy)
Cylinder	8324 (1.75" Door)	• (Double)	6761 (Dummy)	• (Double)
Mortise Lock	• (Lever Strength)	• (Lever Strength)		•
Blocking Ring		•		•



Designer

	Entrance	Entrance	Double Cylinder	Privacy	Passage
Exterior Trim	6690.xxx	6709.xxx.KC	6709.xxx.KC	6709.xxx.KE**	
Interior Escutcheon	6709.xxx.KT	6709.xxx.KT	6709.xxx.KC	6709.xxx.KT	6709.xxx.KN (x2)
Knob/Lever	Half Pair	Pair	Pair	Pair	Pair
Spindle	•	•	•	•	•
Cylinder	•	•	• (Double)		
Mortise Lock	•	• (Lever Strength)	• (Lever Strength)	• (Latch & Bolt or Lock)	• (Latch & Interior Lock)
Blocking Ring			•		
Turn Knob					

REQUIRED

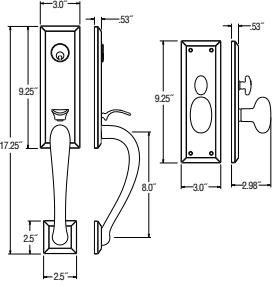
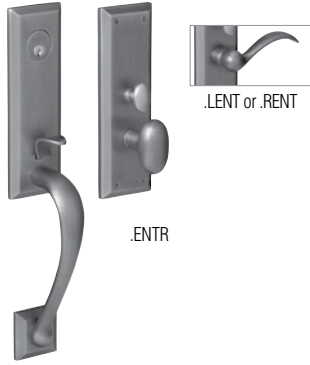
SEE BACK COVER FLAP for easy-ordering charts and requirements for doors thicker than 1.75"

** (All .KE hardware include 6701 ER cover)

MUST ORDER SEPARATELY
shown in grey

ENTRANCE TRIM, MORTISE CODY | BOULDER

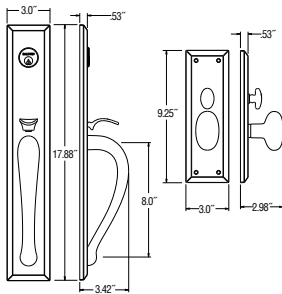
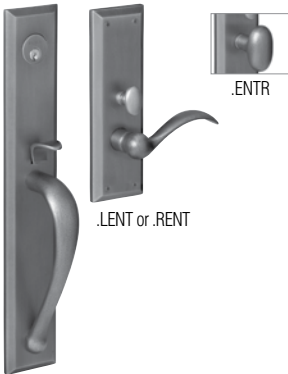
Cody 3/4 Escutcheon Trim w/ 5024 knob or 5452V lever



Item #	Description	031, 050, 102 112, 150, 151 190, 260, 264	003, 055 056, 402 412, 452
M502.xxx.ENTR	Cody 3/4 Escutcheon w/ Knob – Entry		
M502.xxx.FD	Cody 3/4 Escutcheon w/ Knob – Dummy		
M502.xxx.LENT	Cody 3/4 Escutcheon w/ Lever – LH Entry	\$575	\$650
M502.xxx.RENT	Cody 3/4 Escutcheon w/ Lever – RH Entry		
M502.xxx.RFD	Cody 3/4 Escutcheon w/ Lever – RH Dummy		
M502.xxx.LFD	Cody 3/4 Escutcheon w/ Lever – LH Dummy		

Lock and cylinder must be purchased separately.

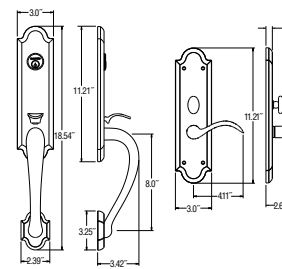
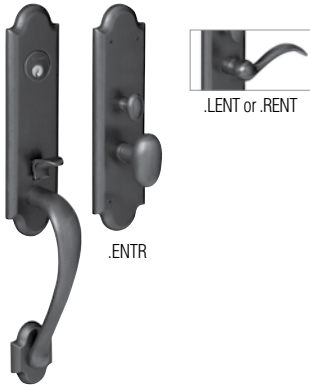
Cody Full Escutcheon Trim w/ 5024 knob or 5452V lever



Item #	Description	031, 050, 102 112, 150, 151 190, 260, 264	003, 055 056, 402 412, 452
M504.xxx.ENTR	Cody Full Escutcheon w/ Knob – Entry		
M504.xxx.FD	Cody Full Escutcheon w/ Knob – Dummy		
M504.xxx.LENT	Cody Full Escutcheon w/ Lever – LH Entry	\$575	\$650
M504.xxx.RENT	Cody Full Escutcheon w/ Lever – RH Entry		
M504.xxx.RFD	Cody Full Escutcheon w/ Lever – RH Dummy		
M504.xxx.LFD	Cody Full Escutcheon w/ Lever – LH Dummy		

Lock and cylinder must be purchased separately.

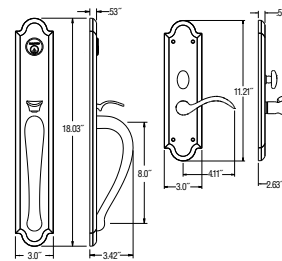
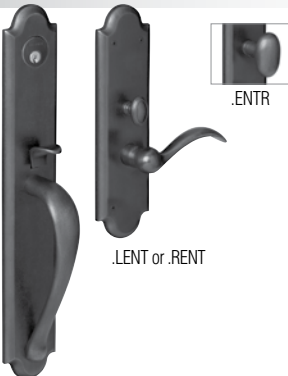
Boulder 3/4 Escutcheon Trim w/ 5024 knob or 5452V lever



Item #	Description	031, 050, 102 112, 150, 151 190, 260, 264	003, 055 056, 402 412, 452
M512.xxx.ENTR	Boulder 3/4 Escutcheon w/ Knob – Entry		
M512.xxx.FD	Boulder 3/4 Escutcheon w/ Knob – Dummy		
M512.xxx.LENT	Boulder 3/4 Escutcheon w/ Lever – LH Entry	\$575	\$650
M512.xxx.RENT	Boulder 3/4 Escutcheon w/ Lever – RH Entry		
M512.xxx.RFD	Boulder 3/4 Escutcheon w/ Lever – RH Dummy		
M512.xxx.LFD	Boulder 3/4 Escutcheon w/ Lever – LH Dummy		

Lock and cylinder must be purchased separately.

Boulder Full Escutcheon Trim w/ 5024 knob or 5452V lever



Item #	Description	031, 050, 102 112, 150, 151 190, 260, 264	003, 055 056, 402 412, 452
M514.xxx.ENTR	Boulder Full Escutcheon w/ Knob – Entry		
M514.xxx.FD	Boulder Full Escutcheon w/ Knob – Dummy		
M514.xxx.LENT	Boulder Full Escutcheon w/ Lever – LH Entry	\$575	\$650
M514.xxx.RENT	Boulder Full Escutcheon w/ Lever – RH Entry		
M514.xxx.RFD	Boulder Full Escutcheon w/ Lever – RH Dummy		
M514.xxx.LFD	Boulder Full Escutcheon w/ Lever – LH Dummy		

Lock and cylinder must be purchased separately.

THICK DOOR KITS 1.75" – 2.25" STEEL DOORS (MORTISE)

Give your doors of distinction the hardware to match with Baldwin luxury entrysets—now easily compatible with custom decorative iron/steel doors in a wide range of thicknesses.

- > Kits available for doors 1.5" to 2.25" thick
- > Choose from dozens of Baldwin styles
- > Mortise and tubular options available
- > Easy to implement

FINISH EQUIVALENCIES

FINISH EQUIVALENCY GRID*

Trim Finish	Kit Finish	Trim Finish	Kit Finish	Trim Finish	Kit Finish	Trim Finish	Kit Finish
003	= 221	050	= 102	112	= 112	260	= 140
030	= 221	055	= 140	140	= 140	264	= 140
031	= 221	056	= 140	150	= 140	402	= 102
033	= 221	060	= 221	151	= 151	412	= 112
040	= 221	102	= 102	190	= 102	452	= 151

*Does not apply to 6501 A-C kits due to blocking rings

THICK STEEL DOOR KITS

1.75" to 2.25" door thickness mortise handlesets

FULL KITS

Kit	For Entrance Trim #	037, 102, 112 140, 151, 221
6599.XXX.THKA	Monterey (6565, .0937")	
6599.XXX.THKB	Victoria (6948, .1875"), Kensington (6950, .3125")	
6599.XXX.THKC	San Diego (6540, .0937"), Lancaster (6543, .0937"), Richmond (6557, .0937"), Dallas (6931, .0937")	
6599.XXX.THKD	Bristol (6963, .375"), Concord (6571, .25")	
6599.XXX.THKE	Springfield (6573, .3125"), Lexington (6560, .3125"), Atlanta (6570, .375"), Minneapolis (6976, .375"), Boulder (M512/M514, .53"), Cody (M502/M504, .53"), Trenton (6567, .1875"), Pasadena (6944, .375")	
6599.XXX.THKF	Williamsburg (6549, .3125")	\$22
6599.XXX.THKG	New York (6562, .25")	
6599.XXX.THKH	Chicago (6563, .0937")	
6599.XXX.THKI	Edinburgh (6952, .435"), Richland (6999, .435")	
6599.XXX.THKJ	Edinburgh Sectional (6515, .5625"), Oval Edinburgh (6516, .5625"), Bristol Sectional (6520, .5625"), 3/4 Kensington (6526, .5625")	
6599.XXX.THKK	Hamilton (6544, .75"), Tremont (6542, .75")	
6599.XXX.THKL	Lakeshore (6966, .396")	

REQUIRED for all doors over 1.75" and up to 2.25" thick Thick Door Kits are for Handlesets ONLY, not Entrance Sets (Entrance sets are knob x knob or lever x lever)

HANDLESETS ONLY

Kit	For Entrance Trim #	Price
6501.000.A	6515, 6520, 6526, 6540, 6541, 6543, 6549, 6556, 6557, 6560, 6564, 6565, 6567, 6568, 6570, 6571, 6572, 6573, 6931, 6946, 6948, 6950, 6963, 6976 active & dummy	\$6
6501.000.B	6548, 6562, 6563, active & dummy	20
6501.000.C	6944, 6952, 6999 active & dummy, M502, M504, M512, M514, M516, M522	30
6501.000.D	6542, 6544, 6545 ACTIVE ONLY	18
6501.000.E	6542, 6544, 6545 DUMMY ONLY	22
6501.000.F	6966	26

REQUIRED for all doors over 1.75" and up to 2.25" thick Thick Door Kits are for Handlesets ONLY, not Entrance Sets (Entrance sets are knob x knob or lever x lever)

THIN DOOR KITS

1.5" – 1.625" STEEL DOORS (MORTISE & TUBULAR)

THIN STEEL DOOR KITS – Mortise

1.5" to 1.625" Door Thickness Mortise Handlesets

Item #	For Entrance Trim #	030, 031, 033, 034, 040	
		050, 060, 102 112, 150, 151 190, 260, 264	003, 055 056, 402 412, 452
6501.XXX.15A	San Diego (6540, .0937"), Lancaster (6543, .0937"), Richmond (6557, .0937"), Dallas (6931, .0937")	\$40	\$45
6501.XXX.15B	Monterey (6565, .0937")	\$40	
6501.XXX.15C	Chicago (6563, .0937")	\$30	

Item #	For Entrance Trim #	037, 102 112, 140 151, 221	
		6501.XXX.15D	Victoria (6948, .1875"), Kensington (6950, .3125"), Edinburgh (6952, .435")
6501.XXX.15E	Trenton (6567, .1875"), Concord (6571, .25")	\$30	
6501.XXX.15G	New York (6562, .25")	\$25	
6501.XXX.15H	Williamsburg (6549, .3125")	\$30	
6501.XXX.15I	Springfield (6573, .3125"), Lexington (6560, .3125"), Atlanta (6570, .375"), Minneapolis (6976, .375"), Boulder (M512/M514, .53"), Cody (M502/M504, .53")	\$30	
6501.XXX.15J	Lakeshore (6966, .396")	\$30	
6501.XXX.15L	Richland (6999, .435")	\$35	
6501.XXX.15M	Pasadena (6944, .375")	\$35	
6501.XXX.15N	Bristol (6963, .375"), Edinburgh Sectional (6515, .5625"), Oval Edinburgh (6516, .5625"), Bristol Sectional (6520, .5625"), ¾ Kensington (6526, .5625")	\$30	
6501.XXX.15O	Hamilton (6544, .75"), Tremont (6542, .75")	\$35	

REQUIRED for all doors 1.5" and up to 1.625" thick Thin Door Kits are for Handlesets ONLY, not Entrance Sets (Entrance sets are knob x knob or lever x lever)

THIN STEEL DOOR KITS – Tubular

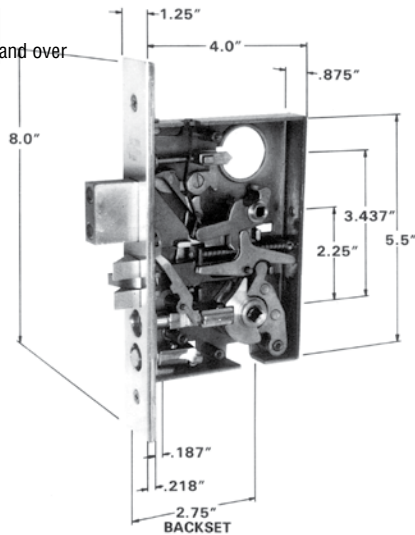
1.5" Door Thickness Tubular Handlesets

Item #	For Entrance Trim #	030, 031 050, 102 112, 150 151, 190 260, 264	
			003, 055 056, 402 412, 452
5397.XXX.15A	Handleset w/ KNOB : Bethpage (85327), Buckingham (85380), Canterbury (85305), Glennon (85375), Logan (85305 & 85315), Madison (85320) & Nantucket (85370)		
5397.XXX.15B	Handleset w/ LEVER : Bethpage (85327), Buckingham (85380), Canterbury (85305), Glennon (85375), Logan (85305 & 85315), Madison (85320) & Nantucket (85370)		
5397.xxx.15C	Tahoe w/ KNOB (85325)	\$50	\$55
5397.xxx.15D	Tahoe w/ LEVER (85325)		
5397.xxx.15E	EGRESS : Bethpage 3/4 (85337), Blakely (85360), Boulder (85354), Cody (85352), Manchester (85350), Stonegate (85335)		
5397.xxx.15F	EGRESS : Bristol (6420), Boulder (6402), Cody (6403), Devonshire (6401), Edinburgh (6415 & 6416), Kensington (6426)		
5397.xxx.15G	EGRESS : Tahoe 3/4 (85340)		

MORTISE LOCKS SPECIFICATIONS

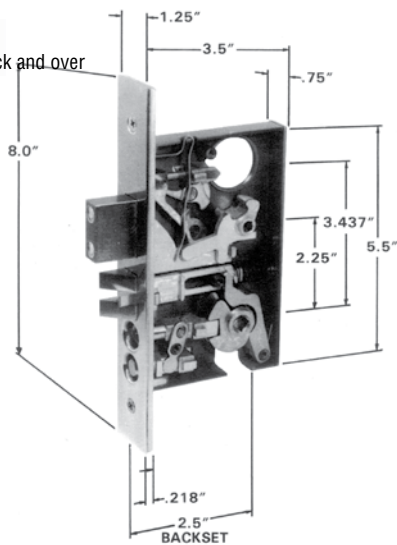
2.75" Backset

for doors 1.75" thick and over



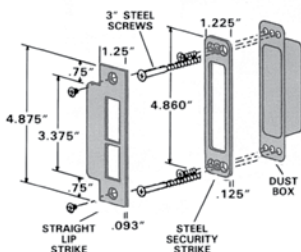
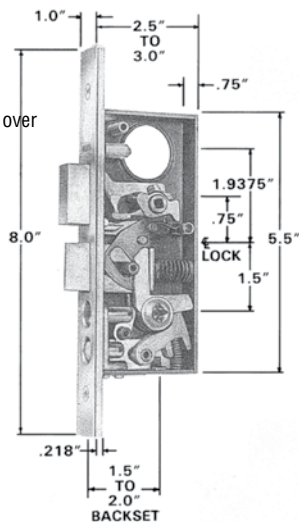
2.5" Backset

for doors 1.375" thick and over



1.5" & 2" Backset

for doors 1.375" thick and over



BACKSET:

2.75" – for doors 1.75" thick and over	STEEL CASE: .875" x 4" x 5.5" (22 x 102 x 140mm)
2.5" – for doors 1.375" thick and over, 1.375" doors REQUIRE 1" FRONT	STEEL CASE: .75" x 3.5" x 5.5" (19 x 89 x 140mm)
1.5" (38mm) and 2" (51mm) Narrow Backset – for doors 1.375" thick and over	STEEL CASE: 1.5" Backset: .75" x 1.5" x 5.5" (19 x 64 x 140mm) 2.0" Backset: .75" x 3" x 5.5" (19 x 76 x 140mm)

LOCK SPECIFICATIONS:

- > Standardized heavy steel case is smooth, easy to mortise, and assures snug and solid fit in door mortise.
- > Vital interior working parts are made of solid hot forged brass or steel for a lifetime of trouble-free operation.
- > All lock cases are constructed of heavy gauge steel (.093–2.4mm - material) and plated with a protective rust-resistant coating to retard oxidation.
- > All locks and strikes are designed to fit standard preparation ANSI A115.1 (face cutouts are subject to variation).
- > Locks have adjustable forged brass lock fronts, protected by armored scalp fronts for ultimate Strength and protection against tampering.
- > All KEYED lock functions illustrated within this section are furnished with a specially-designed security strike constructed of high grade steel for ultimate Strength and durability. The security strike is mortised into the wood jamb and anchored to the structural components of the opening with two 3" steel screws and covered with a finished strike to conceal the fasteners.
- > Most lock functions are completely reversible in the field to facilitate installation
- > The bevel of front is adjustable from flat to standard bevel .125" on 2" (3mm on 51mm).
- > Most metal door and frame manufacturers have provided reinforcements for Baldwin Mortise Locks.

FRONT: Hot forged brass .218" x 1.25" x 8" (6 x 32 x 203mm). Adjustable for beveled conditions.

SCALP: Wrought brass and bronze, available in standard finishes.

ANTI-FRICTION LATCH BOLT: Furnished with all 2.75" and 2.5" backset locks
2.75" – .625" x 1" (16 x 25mm) x .75" (19mm) throw.
2.5" – .5" x 1" (13 x 25mm) x .75" (19mm) throw
Furnished in US4 and 26D finishes to match trim

SOLID LATCH BOLT: All 1.5" (38mm) and 2" (51mm) backset locks are furnished standard with a solid latch bolt of .5" (13mm) throw and 1" (25mm) wide front. An optional 1.25" (32mm) wide front is available.

DEADBOLT: 2.5" and 2.75" backsets equipped with a 1" (25mm) throw deadbolt with two hardened steel inserts for maximum protection and security. All deadbolts are of forged brass construction. Locks designed with 1.5" (38mm) and 2" (51mm) backsets have a .5" (13mm) throw deadbolt. Furnished in US4 and 26D finishes to match trim.

HUB SIZE: .29" (7mm) with two-way rotation. Broached on the diamond.
(One-way rotation on LS functions).

SPACING: center to center of: Knob Hub to cylinder 3.437" (87mm)
Knob Hub to turn piece 2.25" (57mm)

CYLINDER: Standard mortise type with 03 keyway and two nickel silver keys.
Cylinder is not supplied with lock.

KEYING: All levels of Keying including Construction Keying are available.

STRIKE: Wrought brass and bronze finished to match. Supplied to ANSI standard A115.1, 1.25" (32mm) lip to center. Locks furnished standard with straight lip strike (Universal) and dust box. Curved lip and special length strikes available. All KEYED lock functions are furnished standard with a high grade steel security strike and two 3" steel screws.

TEMPLATE: Metal doors/frames to be prepared in accordance with ANSI A115.1 or A115.11.
Face cutouts are subject to variation. always review trim requirements before door preparation.

WARNING: 1.5" AND 2.0" BACKSET LOCKS ARE designed to be used with levers. If knobs are specified, customer should be advised that the knob will only turn in one direction and will have a stiff turning action: NOT RECOMMENDED.

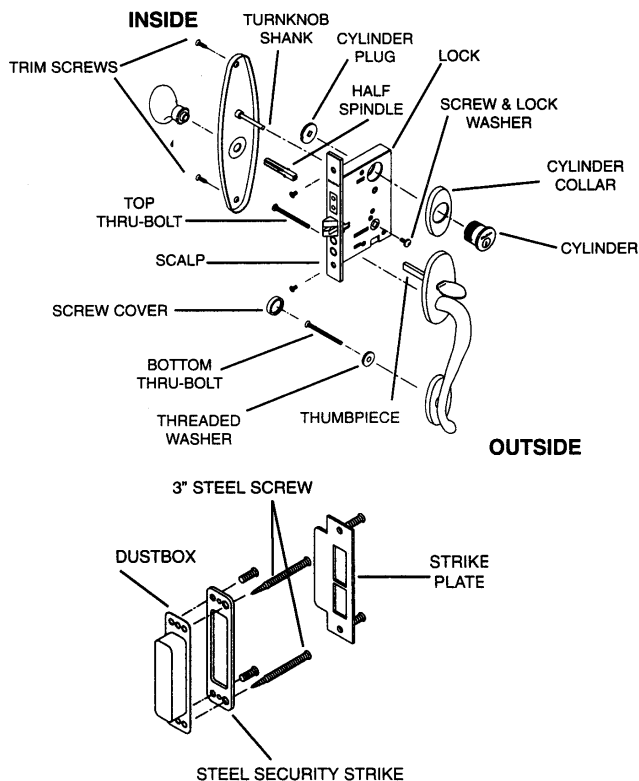


All 2.5" and 2.75" Entrance Mortise Locks are U/L Listed

Baldwin UL-listed 2.5" and 2.75" mortise locks meet US standard UL-10C and Canadian standard CAN4 S104-M80 for survival of a 3-hour burn under positive pressure.

All Baldwin Estate Collection mortise entry trim and Estate Collection knob/lever trim may be used with Baldwin UL-listed mortise locks.

BALDWIN



Trim Symbol	Description	2.75" BACKSET (Handle Sets, Knobs & Levers)	2.5" BACKSET (Handle Sets, Knobs & Levers)	2" BACKSET (Handle Sets & Levers)	1.5" BACKSET (Handle Sets & Levers)
ENTR	Entrance Function	6001, 6010, 6020, 6021, 6070, 6075, 6077, 6091	6301, 6310, 6320, 6321, 6375	6802, 6812, 6832	6800, 6810, 6830
SGLC	Single Cylinder Function	6051, 6053, 6060, 6065, 6066, 6130	—	—	—
EXTR	Exterior Patio Function	—	6315	6847	6845
PRIV	Privacy Function	6055, 6100	6315	6847	6845
PASS	Passage Function	6110	6318	6857	6855
BB75	Back To Back Handle Sets	6025	6325	—	—

NOTE: Entrance function locks may be used in either single cylinder or double cylinder applications.

TO ORDER: 2.75"/2.5" backset locks for levers, specify LS (Lever Strength) after lock number (i.e. 6375.030.RLS LOCK - RH).

NOTE: 1.5" and 2.0" Backset Locks are designed to be used with levers. If knobs are specified, customer should be advised that the knob will only turn in one direction and will have a stiff turning action: NOT RECOMMENDED.

CURVED LIP STRIKES: Locks may be ordered with curved lip strikes. The hand of strike will match the hand of the door. Please specify hand of door when ordering. A left hand reverse door will use a right hand strike and a right hand reverse door will use a left hand strike.

*Optional 1" (25mm) front with .75" (19mm) solid latch bolt available for doors of 1.375" (35mm) in thickness. Furnished standard with a curved lip strike.

HOW TO ORDER MORTISE LOCKS

1. All Mortise Locks have a handed Suffix (.R or .L)
2. All Mortise Locks are either Knob Strength (no addition to Suffix) or Lever Strength (LS added to the Suffix)

WARNING: DO NOT USE Lever Strength mortise locks with knobs. They only turn one way and have a stiff turning action suitable for levers.

SUFFIX CHART

	Suffix	Minus Strike	With 1" Front*
Right hand	.R	.RDT	.R1DT
Left hand	.L	.LDT	.L1DT
Right hand Reverse bevel	.RR	.RRDT	.RR1DT
Left hand Reverse bevel	.LR	.LRDT	.LR1DT
Right hand Lever Strength	.RLS	.RLSDT	.RLS1DT
Left hand Lever Strength	.LLS	.LLSDT	.LLS1DT
Right hand Reverse bevel Lever Strength	.RRLS	.RRLSDT	.RRLS1DT
Left hand Reverse bevel Lever Strength	.LRLS	.LRLSDT	.LRLS1DT

*Applies to 2.5" backset locks. For 1" Front DT Distinguishes minus strike. If ordering with strike, do not include the DT note.

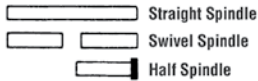
3. Other Mortise Lock options:
Reverse Bevel doors (RR or LR)
Minus Strike (DT), when an Extended Lip Strike is needed (order Strike separately) Optional 1" Front (1) for 1.375" doors

4. ALWAYS REVIEW SUFFIX CHART!

MORTISE LOCKS ENTRANCE FUNCTIONS

List of available handling options

	Suffix*
Right hand	.R
Left hand	.L
Right hand Reverse bevel	.RR
Left hand Reverse bevel	.LR
Right hand Lever Strength	.RLS
Left hand Lever Strength	.LLS
Right hand Reverse bevel Lever Strength	.RRLS
Left hand Reverse bevel Lever Strength	.LRLS
Right hand Reverse bevel Lever Strength with 1" Front	.RRB1
Left hand Reverse bevel Lever Strength with 1" Front	.LRB1



Spindle Key

Item #	Description	Backset	Wt.	Std. Strike	030, 031, 033, 034, 040, 050, 060 102, 112, 150, 151 152, 190, 260, 264	003 055 056
6001.xxx.Suffix*	Entrance/Apartment Knob x Knob/Lever x Lever	2.75"	3.0	6040		
6020.xxx.Suffix*	Residential Entrance Handleset x Knob/Lever	2.75"	3.0	6040		
6021.xxx.Suffix*	Entrance – Emergency Egress Handleset x Knob/Lever	2.75"	3.0	6040		
6025.xxx.Suffix*	Entrance Back-to-Back Handleset x Handleset	2.75"	3.0	6040		
6066.xxx.Suffix*	Electrified Strike Entrance Handleset x Knob/Lever	2.75"	2.8	N/A	\$330	\$350
6075.xxx.Suffix*	Entrance – Emergency Egress Knob x Knob/Lever x Lever	2.75"	3.0	6040		
6077.xxx.Suffix*	Entrance - Emergency Egress Knob x Knob/Lever x Lever w/ Auxiliary Latch	2.75"	3.0	6043		
6301.xxx.Suffix*	Entrance/Apartment Knob x Knob/Lever x Lever	2.5"	3.0	6340		
6310.xxx.Suffix*	Entrance/Storeroom Knob x Knob/Lever x Lever	2.5"	3.0	6340		
6320.xxx.Suffix*	Residential Entrance Handleset x Knob/Lever	2.5"	3.0	6340	\$330	\$350
6321.xxx.Suffix*	Entrance – Emergency Egress Handleset x Knob/Lever	2.5"	3.0	6340		
6325.xxx.Suffix*	Entrance Back-to-Back Handleset x Handleset	2.5"	3.0	6340		
6375.xxx.Suffix*	Entrance – Emergency Egress Knob x Knob/Lever x Lever	2.5"	3.0	6340		
6800.xxx.Suffix*	Entrance/Apartment Lever x Lever	1.5"	3.0	6340		
6802.xxx.Suffix*	Entrance/Apartment Lever x Lever	2"	3.0	6340		
6810.xxx.Suffix*	Entrance/Storeroom Lever x Lever	1.5"	3.0	6340	\$330	\$350
6812.xxx.Suffix*	Entrance/Storeroom Lever x Lever	2"	3.0	6340		
6830.xxx.Suffix*	Residential Entrance Handleset x Lever	1.5"	3.0	6340		
6832.xxx.Suffix*	Residential Entrance Handleset x Lever	2"	3.0	6340		
All Mortise Locks shown above Minus Strike (.DT) – Order w/ strike separately through Baldwin Customer Service					\$300	\$315

Mortise Locks NOT available in Distressed finishes, non-distressed equivalents 402=102, 412=112, 452=152

2.75" backsets comes with the 1.25" front.

2.5" backsets comes with the 1.25" front. Non-standard 1" inch fronts are available for a 10% additional charge. To order non-standard front, add a '1' at the end of the Item #. ie 6802.112.R1 (except Reverse Bevel, LRB1, RRB1 and cannot apply to 2.75" backsets)

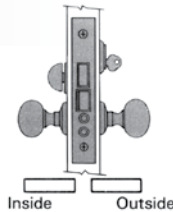
1.5" and 2" backsets comes with the 1" front. Non-standard 1.25" fronts are available for a 10% additional charge. To order non-standard front, add a '125' at the end of the Item #. ie 6802.112.R125 (except Reverse Bevel, LRB1, RRB1 and cannot apply to 2.75" backsets)

> Specify handing with Suffix* after finish designation (Suffix chart above left)

> Some Baldwin mortise locks are reversible in the field if needed – see individual functions

WARNING: DO NOT USE lever Strength mortise locks with knobs. They only turn one way and have a stiff turning action suitable for levers.

6001, 6301, 6800, 6802 Entrance and Apartment

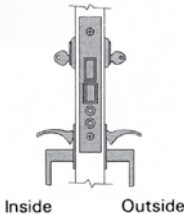


- > Latch bolt by knob from either side, except when outside knob is locked by stop in front; then latch bolt by key outside and knob inside.
- > Deadbolt by key outside and turn piece inside. Continuous turn of key outside retracts both latch and Deadbolt.
- > 1" (25mm) throw Deadbolt with saw-proof inserts is standard equipment. (Not available for 2" or smaller backsets)
- > When extended, Deadbolt deadlocks latch bolt (not true for 6800 & 6802)

FEDERAL SPECIFICATION EQUIVALENTS (FSE): ANSI Series: 1000-F08/F10

NOTE: For single and double cylinder applications

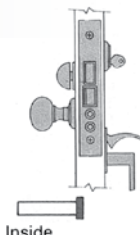
6025, 6325 Back-To-Back Entrance



- > Latch bolt by thumb piece from either side, except when outside thumb piece is locked by stop in front, then latch bolt by key either side and thumb piece inside.
- > Deadbolt by key either side, continuous turn of key retracts both latch and Deadbolt.
- > 1" (25mm) throw Deadbolt with saw-proof inserts is standard equipment. When extended, Deadbolt deadlocks latch bolt.

NOTE: To order and price complete trim sets, order two sets of exterior handle trim in "BBXX" configuration. Baldwin Turn Knob cylinder 844X.XXX may be used for interior.

6020, 6320, 6830, 6832 Residential Entrance

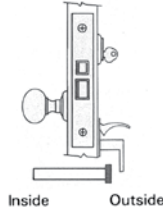


- > Latch bolt by thumb piece outside and knob inside, except when thumb piece is locked by stop in front; then latch bolt by key outside and knob inside.
- > Deadbolt by key outside and turn piece inside.
- > Continuous turn of key outside retracts both latch and Deadbolt.
- > 1" (25mm) throw Deadbolt with saw-proof inserts is standard equipment. (Not available for 2" or smaller backsets)
- > When extended, Deadbolt deadlocks latch bolt.(not true for 6830 & 6832)

FSE: Government Type: 122A

NOTE: May be used in single and double cylinder applications

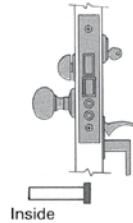
6066
Electric Strike Entrance



- > Latch bolt by knob inside and key outside. Outside trim is always rigid.
- > Auxiliary latch deadlocks latch bolt.
- > Optional solid latch bolt is available with this lock.
- > Caution should be used to ensure that the electric strike being used properly engages the latch mechanism while depressing the auxiliary latch.

NOTE: A full dummy trim with an active spindle is recommended for use with this lock.

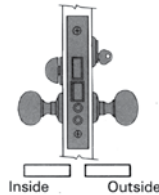
6021, 6321
Residential Entrance, Emergency Egress



- > Latch bolt by thumb piece outside and knob inside, except when thumb piece is locked by stop in front; then latch bolt by key outside and knob inside.
- > Deadbolt by key outside and turn piece inside.
- > When Deadbolt is thrown, stop is automatically activated making outside thumb piece rigid. Inside knob retracts latch and Deadbolt simultaneously but DOES NOT free outside thumb piece.
- > 1" (25mm) throw Deadbolt with saw-proof inserts is standard equipment.
- > When extended, Deadbolt deadlocks latch bolt.

NOTE: Not recommended for double cylinder applications.
NOTE: 6321 - NOT FIELD REVERSIBLE

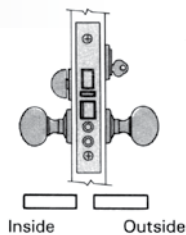
6075, 6375
Entrance, Emergency Egress



- > Latch bolt by knob from either side, except when outside knob is locked by stop in front; then latch bolt by key outside and knob inside. Deadbolt by key outside and turn piece inside.
- When Deadbolt is thrown, stop is automatically activated making outside knob rigid. Inside knob retracts latch and Deadbolt simultaneously but DOES NOT free outside knob.
- > 1" (25mm) throw Deadbolt with saw-proof inserts is standard equipment.
- When extended, Deadbolt deadlocks latch bolt.

FSE: ANSI Series: 1000-F12/F20
NOTE: Not recommended for double cylinder applications.
NOTE: 6375 - NOT FIELD REVERSIBLE

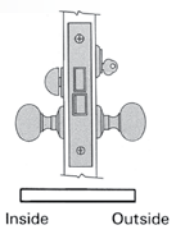
6077
Entrance, Emergency Egress



- > Latch bolt by knob from either side, except when outside knob is locked by stop in front; then latch bolt by key outside and knob inside. Deadbolt by key outside and turn piece inside.
- When Deadbolt is thrown, stop is automatically activated making outside knob rigid. Inside knob retracts latch and Deadbolt simultaneously but DOES NOT free outside knob.
- > 1" (25mm) throw Deadbolt with saw-proof inserts is standard equipment. When extended, Deadbolt deadlocks latch bolt.
- > Auxiliary latch bolt deadlocks latch bolt, creating a DOUBLE DEADLOCKING FEATURE when the Deadbolt is extended.

FSE: ANSI Series: 1000-F20
NOTE: NOT FIELD REVERSIBLE. Not recommended for double cylinder applications.

6310, 6812, 6810
Entrance And Storeroom



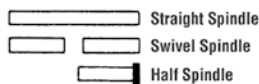
- > Latch bolt by knob either side. Deadbolt by key outside and turn piece inside.
- > 1" (25mm) throw Deadbolt with saw-proof inserts is standard equipment. (Not available for 2" or smaller backsets)
- When extended, Deadbolt deadlocks latch bolt.

FSE: ANSI Series: 1000-F21
NOTE: for single and double cylinder applications.

MORTISE LOCKS GRADE 1, LIGHT-DUTY COMMERCIAL

List of available handling options

	Suffix*
Right hand Lever Strength	.RLS
Left hand Lever Strength	.LLS
Right hand Reverse bevel Lever Strength	.RRLS
Left hand Reverse bevel Lever Strength	.LRLS



Spindle Key

Swivel spindles are recommended for all Grade 1 Mortise Locks, except G110-G311 Passage

WHEN ORDERING CYLINDERS

All G-series light commercial mortise locks require a special cylinder.

Use the existing cylinder chart (back flap) for cylinder length, but add a suffix **‘.EMHT’** to the end of the Item #.

(same price as standard C keyway cylinders)

EXAMPLE:

Lifetime Polished Brass 1.25" cylinder for G-series mortise locks

8323.003.EMHT

NOTE: Emhart Cam can be purchased separately, see page 128.

Application:

Baldwin Architects/Designers and Dealer Network have requested the ability to utilize Baldwin Estate Trims in light-duty commercial projects (guest rooms, condominium). The Baldwin G6000/G6300 line of Mortise Locks will provide this capability. All existing Baldwin lever by lever entrance and sectional set locksets are adaptable. Door Preparation: For use with metal doors and frames to be prepared in accordance with ANSI A 115.11.

Specification:

Grade 1: Meets/exceeds operational, security and cycle test requirements U/L: ANSI/UL 10B Listed 3 Hour Fire Rated – UL File No. R13846 Backsets: 2 1/2" and 2 3/4" inch standard Other Sizes Available Case: Heavy Gage Plated Steel Armor Front: Wrought Brass, Bronze or S/S. Adjustable Bevel Option Latch Bolt: 3/4" Throw. Brass – Anti-Friction Type Dead Bolt: 1" Throw. Brass – with Harden Steel Inserts Reversibility: Most functions are field reversible. Factory sets handing to order.

Strikes: Flat standard, curved and long lip strikes available.

Other Specification:

3.437 in lever hub to cylinder center spacing note: designed to be used with existing Baldwin Estate Trim 7.2mm spindle on the diamond for use with Estate Levers

Item #	Description	ANSI	Backset	030, 031, 033, 034, 040, 050, 060, 102, 112, 150, 151, 152, 190, 260, 264	003, 055, 056
G6010.xxx.Suffix*	Dormitory Entrance or Storeroom	Lever x Lever	F21	2.75"	\$360 \$380
G6055.xxx.Suffix*	Privacy, Bedroom or Bathroom	Lever x Lever	F19		
G6060.xxx.Suffix*	Classroom, Entrance or Office	Lever x Lever	F04	2.75"	320 340
G6065.xxx.Suffix*	Storeroom or Closet	Lever x Lever	F07		
G6075.xxx.Suffix*	Entrance or Apartment	Lever x Lever	F12	2.75"	360 380
G6077.xxx.Suffix*	Entrance or Apartment	Lever x Lever	F20		
G6085.xxx.Suffix*	Entrance or Public Restroom	Lever x Lever	F09	2.75"	320 340
G6090.xxx.Suffix*	Store Door	Lever x Lever	F14	2.75"	360 380
G6091.xxx.Suffix*	Hotel or Motel	Lever x Lever	F15		
G6110.xxx.Suffix*	Passage or Closet	Lever x Lever	F01	2.75"	320 340
G6130.xxx.Suffix*	Classroom	Lever x Lever	F05		
G6140.xxx.Suffix*	Key x Key Deadlock		F16		
G6150.xxx.Suffix*	Single Key Deadlock		F18	2.75"	290 310
G6160.xxx.Suffix*	Key x Turn Deadlock		F17		
G6310.xxx.Suffix*	Dormitory Entrance or Storeroom	Lever x Lever	F21	2.5"	360 380
G6318.xxx.Suffix*	Passage or Closet	Lever x Lever	F01		
G6355.xxx.Suffix*	Privacy, Bedroom or Bathroom	Lever x Lever	F19		
G6360.xxx.Suffix*	Classroom, Entrance or Office	Lever x Lever	F04	2.5"	320 340
G6365.xxx.Suffix*	Storeroom or Closet	Lever x Lever	F07		
G6375.xxx.Suffix*	Entrance or Apartment	Lever x Lever	F12	2.5"	360 380
G6377.xxx.Suffix*	Entrance or Apartment	Lever x Lever	F20		
G6385.xxx.Suffix*	Entrance or Public Restroom	Lever x Lever	F09	2.5"	320 340
G6391.xxx.Suffix*	Hotel or Motel	Lever x Lever	F15	2.5"	360 380
G6330.xxx.Suffix*	Classroom	Lever x Lever	F05	2.5"	320 340
G6340.xxx.Suffix*	Key x Key Deadlock		F16		
G6350.xxx.Suffix*	Single Key Deadlock		F18	2.5"	290 310
G6361.xxx.Suffix*	Key x Turn Deadlock		F17		
G6390.xxx.Suffix*	Store Door	Lever x Lever	F14	2.5"	360 380

Mortise Locks NOT available in Distressed finishes, non-distressed equivalents 402=102, 412=112, 452=152

2.75" backsets comes with the 1.25" front.

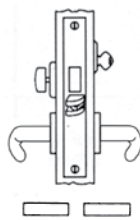
2.5" backsets comes with the 1.25" front. Non-standard 1" inch fronts are available for a 10% additional charge. To order non-standard front, add a '1' at the end of the Item #. ie 6802.112.R1 (except Reverse Bevel, LRB1, RRB1 and cannot apply to 2.75" backsets)

1.5" and 2" backsets comes with the 1" front. Non-standard 1.25" fronts are available for a 10% additional charge. To order non-standard front, add a '125' at the end of the Item #. ie 6802.112.R125 (except Reverse Bevel, LRB1, RRB1 and cannot apply to 2.75" backsets)

WARNING: DO NOT USE lever Strength mortise locks with knobs. They only turn one way and have a stiff turning action suitable for levers.

G6010 & G6310

Dormitory Entrance or Storeroom

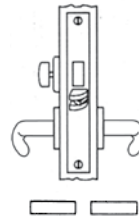


Latch bolt by handle either side. Deadbolt by key outside and thumbturn inside. Use of inside handle retracts latch and deadbolt simultaneously automatically unlocking outside handle.

FEDERAL SPECIFICATION EQUIVALENTS (FSE): ANSI Series: 1000-F21

G6055 & G6355

Privacy, Bedroom or Bathroom

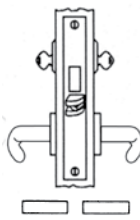


Latch bolt by handle either side. Deadbolt by thumbturn inside and emergency key outside. Use of inside handle retracts latch and dead bolt simultaneously - automatically unlocking outside handle.

FSE: ANSI Series: 1000-F19

G6090 & G6390

Storeroom

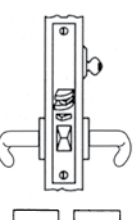


Latch bolt by handle inside and guest/master key outside. Outside handle always rigid. Deadbolt by thumbturn inside and service key only outside.

FSE: ANSI Series: 1000-F14

G6060 & G6360

Classroom, Entrance or Office



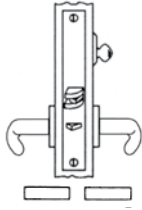
Latch bolt by key outside and handle either side unless outside handle is locked by key outside. Auxiliary latch deadlocks latch bolt.

FSE: ANSI Series: 1000-F04

MORTISE LOCKS

GRADE 1, LIGHT-DUTY COMMERCIAL

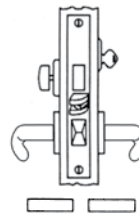
G6065 & G6365
Storeroom or Closet



Latch bolt by handle inside and key outside. Outside handle always rigid. Auxiliary latch deadlocks latch bolt.

FSE: ANSI Series: 1000-F07

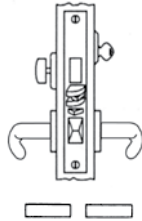
G6075 & G6375
Entrance or Apartment



Latch bolt by key outside and handle either side unless outside handle is locked by toggle action stop. Deadbolt by key outside and thumbturn inside. Use of inside handle retracts latch and deadbolt. Outside handle remains locked.

FSE: ANSI Series: 1000-F12

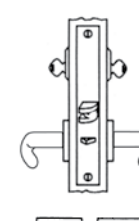
G6077 & G6377
Entrance or Apartment



Latch bolt by key outside and handle either side unless outside handle is locked by toggle-action stop. Deadbolt by key outside and thumbturn inside. Use of inside handle retracts latch dead bolt simultaneously. Outside handle remains locked. Auxiliary latch dead locks latchbolt and prevents manipulation of locked toggle-action stop.

FSE: ANSI Series: 1000-F20

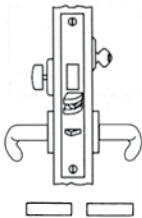
G6085 & G6385
Entrance or Public Restroom



Latch bolt by handle either side unless outside handle is locked by master key from inside. When outside handle is locked, latch Bolt by key outside and handle inside. Auxiliary latch deadlocks latch bolt.

FSE: ANSI Series: 1000-F09

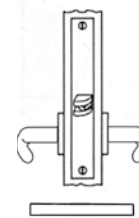
G6091 & G6391
Hotel & Motel



Latch bolt by handle inside and guest/master key outside. Outside handle always rigid. Deadbolt by thumbturn inside and service key only outside. Use of inside handle retracts latch and deadbolt simultaneously. Auxiliary latch deadlocks latch bolt.

FSE: ANSI Series: 1000-F15

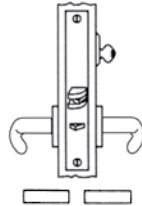
G6110 & G6318
Passage or Closet



Latch bolt operated by handle either side at all times. Both handles always free.

FSE: ANSI Series: 1000-F01

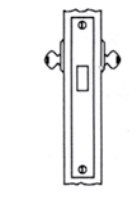
G6130 & G6330
Classroom



Latch bolt by key outside and handle either side unless outside handle is locked by key outside. Auxiliary latch deadlocks latch bolt.

FSE: ANSI Series: 1000-F05

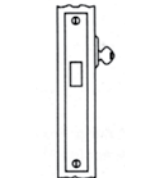
G6140 & G6340
Key X Key Deadlock



Deadbolt by key either side.

FSE: ANSI Series: 1000-F16

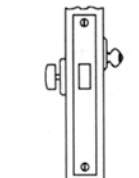
G6150 & G6350
Single Key Deadlock



Deadbolt key outside. No inside operation.

FSE: ANSI Series: 1000-F18

G6160 & G6361
Key X Turn Deadlock



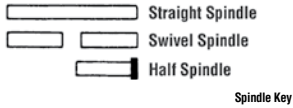
Deadbolt by key outside and thumbturn inside.

FSE: ANSI Series: 1000-F17

ESTATE INTERIOR MORTISE LOCKS, SMALL CASE

List of available handling options

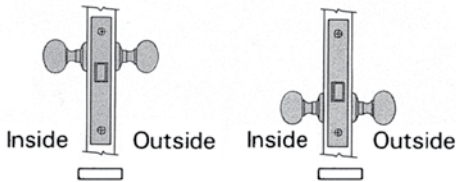
	Suffix*
Right hand	.R
Left hand	.L
Right hand Reverse bevel	.RR
Left hand Reverse bevel	.LR
Right hand Lever Strength	.RLS
Left hand Lever Strength	.LLS
Right hand Reverse bevel Lever Strength	.RRLS
Left hand Reverse bevel Lever Strength	.LRLS
Right hand Reverse bevel Lever Strength with 1" Front	.RRB1
Left hand Reverse bevel Lever Strength with 1" Front	.LRB1



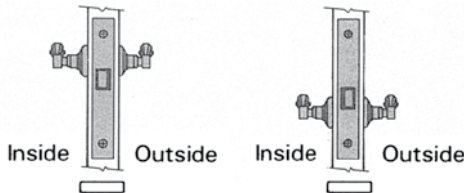
INSTALLATION METHODS

Locks are reversible, may be installed in either position

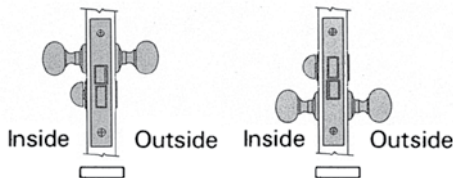
8530.xxx



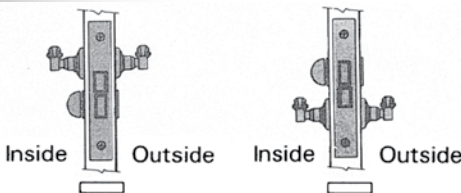
8535.xxx



8540.xxx



8545.xxx



Item #	Description	Backset	Wt.	030, 031, 033, 034, 040, 050, 060 102, 112, 150, 151 152, 190, 260, 264	003 055 056
8530.xxx.Suffix*	Interior Mortise Lock – Passage Knob x Knob	2.5"	1.2	\$145	\$165
8535.xxx.Suffix*	Interior Mortise Lock – Passage Lever x Lever	2.5"			
8540.xxx.Suffix*	Interior Mortise Lock – Privacy Knob x Knob	2.5"	1.5	145	165
8545.xxx.Suffix*	Interior Mortise Lock – Privacy Lever x Lever	2.5"			
8530.xxx.Suffix*	T Strike for Small Case Mortise Locks			25	30

NOTE: 8530.xxx, 8535.xxx, 8540.xxx & 8545.xxx include a 3.5" spindle & offers 40° opening.

Mortise Locks NOT available in Distressed finishes, non-distressed equivalents 402=102, 412=112, 452=152

> Specify handing with suffix*

PRIVACY FUNCTION: Latch bolt by knob either side. Deadbolt by turn piece inside and Emergency Key 0417 outside.

STEEL CASE: .625" x 3.375" x 3.75" (16 x 86 x 95mm)

FRONT: .156" x 1" x 5.75" (4 x 25 x 133mm). Adjustable for beveled conditions; finished to match.

LATCH BOLT: .5" x .625" (13 x 16mm) x .5" (13mm) throw. Furnished in US4 and 26D finishes to match trim.

DEAD BOLT: .5" x .75" (13 x 19mm) x .5" (13mm) throw. Furnished in US4 and 26D finishes to match trim.

HUB SIZE: .29" (7mm). Broached on the diamond.

BACKSET: 2.5" (64mm)

SPACING: Knob hub to turn piece: 2.25" (57mm)

STRIKE: Specially-designed curved lip strike is fully reversible (non-handed); available in 1.25" (32mm) Lip to Center dimension only.

DUST BOX: Box is furnished unattached; conceals installation marks and cutouts. (8530-000)

PACKED: One in a box with a strike, dust box, and fasteners.

ORDERING INSTRUCTIONS: Locks are supplied as illustrated in left column.

To install locks as illustrated in right column, specify the OPPOSITE HAND OF THE DOOR.

SMALL CASE MORTISE LOCK

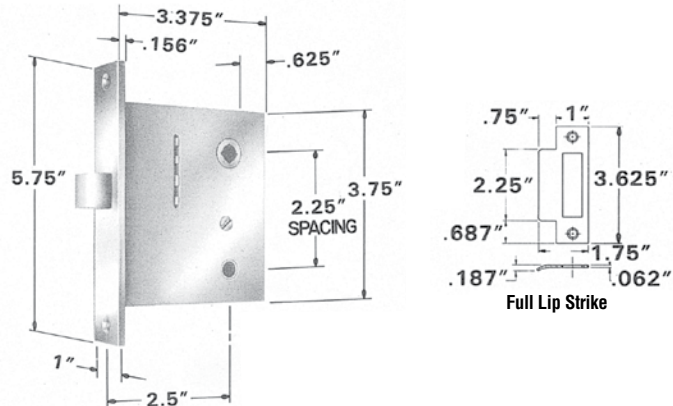
> Cost-effective alternative to Tubular Latch with Mortise Bolt

> Quick and easy install on pre-prepared doors

> Heavy gauge steel case, solid forged brass interior working parts

> Completely reversible for all door conditions

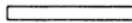

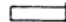
> Turn Pieces and Emergency Release Trim must be ordered separately (NOT included in price of lock)



INTERIOR MORTISE LOCKS, HEAVY DUTY

030, 031, 033,
034, 040, 050, 060
003
102, 112, 150, 151
055
152, 190, 260, 264
056

List of available handling options	
	Suffix*
Right hand	.R
Left hand	.L
Right hand Reverse bevel	.RR
Left hand Reverse bevel	.LR
Right hand Lever Strength	.RLS
Left hand Lever Strength	.LLS
Right hand Reverse bevel Lever Strength	.RRLS
Left hand Reverse bevel Lever Strength	.LRLS
Right hand Reverse bevel Lever Strength with 1" Front	.RRB1
Left hand Reverse bevel Lever Strength with 1" Front	.LRB1

	Straight Spindle
	Swivel Spindle
	Half Spindle

Spindle Key

Item #	Description	Backset	Wt.	Std. Strike		
6010.xxx.Suffix*	Interior Mortise Lock – Entrance & Storeroom	Knob x Knob/Lever x Lever	2.75"	3.0	6040	
6055.xxx.Suffix*	Interior Mortise Lock – Privacy	Knob x Knob/Lever x Lever	2.75"	2.8	6040	
6060.xxx.Suffix*	Interior Mortise Lock – Corridor/Office	Knob x Knob/Lever x Lever	2.75"	2.8	6041	
6065.xxx.Suffix*	Interior Mortise Lock – Emergency/Utility Room	Knob x Knob/Lever x Lever	2.75"	2.8	6041	
6070.xxx.Suffix*	Interior Mortise Lock – Dormitory/Exit	Knob x Knob/Lever x Lever	2.75"	2.8	6040	
6100.xxx.Suffix*	Interior Mortise Lock – Bath/Bedroom	Knob x Knob/Lever x Lever	2.75"	2.8	6040	
6110.xxx.Suffix*	Interior Mortise Lock – Passage	Knob x Knob/Lever x Lever	2.75"	2.6	6041	\$290
6130.xxx.Suffix*	Interior Mortise Lock – Classroom	Knob x Knob/Lever x Lever	2.75"	2.8	6041	\$310
6315.xxx.Suffix*	Interior Mortise Lock – Bath/Bedroom	Knob x Knob/Lever x Lever	2.5"	xx	6340	
6318.xxx.Suffix*	Interior Mortise Lock – Passage	Knob x Knob/Lever x Lever	2.5"	xx	6341	
6845.xxx.Suffix*	Narrow Interior Mortise Lock – Bath/Bedroom	Lever x Lever	1.5"	xx	6340	
6847.xxx.Suffix*	Narrow Interior Mortise Lock – Bath/Bedroom	Lever x Lever	2"	xx	6340	
6855.xxx.Suffix*	Narrow Interior Mortise Lock – Passage	Lever x Lever	1.5"	xx	6341	
6857.xxx.Suffix*	Narrow Interior Mortise Lock – Passage	Lever x Lever	2"	xx	6341	

All Mortise Locks shown above Minus Strike (DT) – Order w/ strike separately through Baldwin Customer Service \$260 \$275

Mortise Locks NOT available in Distressed finishes, non-distressed equivalents 402=102, 412=112, 452=152

2.75" backsets comes with the 1.25" front.

2.5" backsets comes with the 1.25" front. Non-standard 1" inch fronts are available for a 10% additional charge.

To order non-standard front, add a '1' at the end of the Item #. ie 6802.112.R1 (except Reverse Bevel, LRB1, RRB1 and cannot apply to 2.75" backsets)

1.5" and 2" backsets comes with the 1" front. Non-standard 1.25" fronts are available for a 10% additional charge.

To order non-standard front, add a '125' at the end of the Item #. ie 6802.112.R125 (except Reverse Bevel, LRB1, RRB1 and cannot apply to 2.75" backsets)

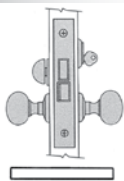
> Specify handing with Suffix* after finish designation (Suffix chart above left)

> Baldwin mortise locks are reversible in the field if needed

WARNING: DO NOT USE lever Strength mortise locks with knobs. They only turn one way and have a stiff turning action suitable for levers.

> 6010, 6060, 6065, and 6070 mortise locks are not available in 030 finish.

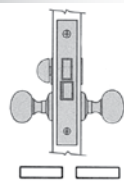
6010
Entrance And Storeroom



Latch bolt by knob either side. Deadbolt by key outside and turn piece inside. 1" (25mm) throw Deadbolt with saw-proof inserts is standard equipment. When extended, Deadbolt deadlocks latch bolt.

FEDERAL SPECIFICATION EQUIVALENTS
(FSE): ANSI Series: 1000-F21
NOTE: for single and double cylinder applications

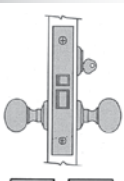
6055
Privacy



Latch bolt by knob either side. Deadbolt by turn piece inside and emergency key 0417 outside. Inside knob retracts latch and Deadbolt simultaneously, automatically unlocking outside knob. 1" (25mm) throw Deadbolt with saw-proof inserts is standard equipment. When extended, Deadbolt deadlocks latch bolt.

FSE: ANSI Series: 1000-F19

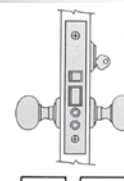
6065
Emergency And Utility Room



Auxiliary latch deadlocks latch bolt. *Suggested for use with electric strike. Caution should be used to ensure that the electric strike being used properly engages the latch mechanism while depressing the auxiliary latch. We recommend solid latch bolt with this lock when used with an electric strike.

FSE: ANSI Series: 1000-F07
NOTE: For handle set applications, refer to Function 6066.

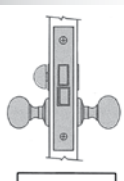
6060
Corridor And Office



Latch bolt by knob from either side, except when outside knob is locked by stop in front, then by key outside and knob inside. Auxiliary latch deadlocks latch bolt.

FSE: ANSI Series: 1000-F04

6100, 6315 & 6845
Bathroom And Bedroom



Latch bolt by knob either side. Deadbolt by turn piece inside and emergency key 0417 outside. 1" (25mm) throw Deadbolt with saw-proof inserts is standard equipment. When extended, Deadbolt deadlocks latch bolt.

FSE: ANSI Series: 1000-F02

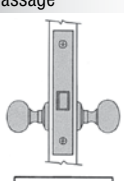
6070
Dormitory And Exit



Latch bolt by knob either side. Deadbolt by key outside and turn piece inside. When Deadbolt is projected, latch bolt is deadlocked and outside knob is rigid. Inside knob retracts latch and Deadbolt simultaneously, automatically unlocking outside knob. 1" (25mm) throw Deadbolt with saw-proof inserts is standard equipment. When extended, Deadbolt deadlocks latch bolt.

FSE: ANSI Series: 1000-F13

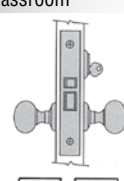
6110, 6318, 6855, & 6857
Passage



Latch bolt by knob either side.

FSE: ANSI Series: 1000-F01

6130
Classroom



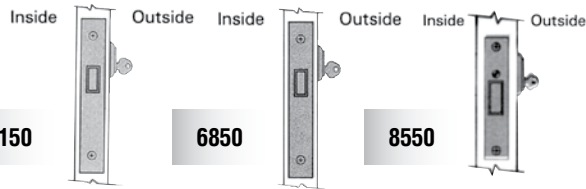
Latch bolt by knob either side, except when outside knob is locked by key outside, then by key outside. Inside knob is always free. Auxiliary latch deadlocks latch bolt.

FSE: ANSI Series: 1000-F05

MORTISE DEADLOCKS

Single Cylinder

Function: Dead bolt by cylinder key from either side
Included: 8300 Cylinder Collar, 2 each
Note: 6150 & 6850 may be used in double cylinder applications



Item #	Description	Wt.	Backset		
6150.xxx	Single Cylinder	2.75"	2.0		
6160.xxx	Turn Piece/Cylinder	2.75"	2.3	\$260	\$280
6860.xxx	Turn Piece/Cylinder	1.5"	2.3		
6850.xxx	Single Cylinder	1.5"	2.0		
8550.xxx	Single Cylinder	2.5"			
8555.xxx	Double Cylinder	2.5"	1.0	160	180
8560.xxx	Turn Piece/Cylinder	2.5"			

Mortise Locks NOT available in Distressed finishes, non-distressed equivalents 402=102, 412=112, 452=152

BACKSET:

2.75" – for doors 1.75" thick and over

STEEL CASE: .875" x 4" x 5.5"
(22 x 102 x 140mm)

2.5" – for doors 1.375" thick and over, 1.375" doors REQUIRE 1" FRONT Adjustable for beveled conditions; finished to match.

STEEL CASE: .75" x 3.5" x 5.5"
(19 x 89 x 140mm)
FRONT: 0.156" x 1" x 5.75"
(4 x 25 x 133mm)

1.5" (38mm) and **2"** (51mm) Narrow Backset – for doors 1.375" thick and over

STEEL CASE: 1.5" Backset: .75" x 1.5" x 5.5"
(19 x 64 x 140mm)
2.0" Backset: .75" x 3" x 5.5"
(19 x 76 x 140mm)

FRONT:* 0.218" x 1" x 8"
(6 x 25 x 203mm)

*Optional 1.25" (32mm) front available

> Heavy gauge steel case with solid forged brass working parts
 > Completely reversible for all door conditions

DEADBOLT: .5" x 1.25" (13 x 32mm) x 1" (25mm) throw with two saw-proof inserts.

STRIKE: Heavy gauge brass finished to match.

Furnished with two 3" steel screws and a dust box standard (8530.000).

CYLINDER: Standard mortise type not included – must be purchased separately.

PACKED: One in a box. 8300 Cylinder Collar, 8530.000 Dust Box, and fasteners.

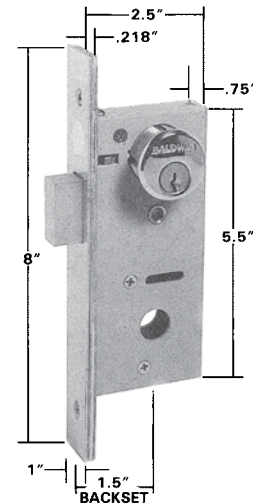
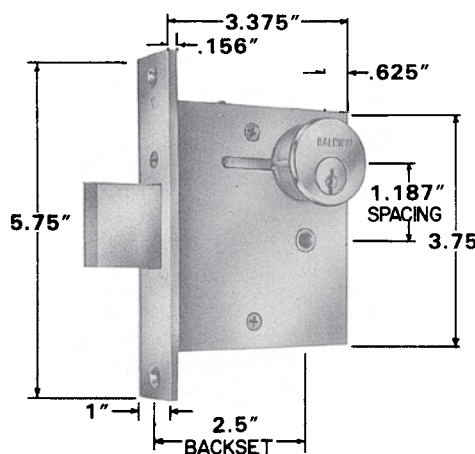
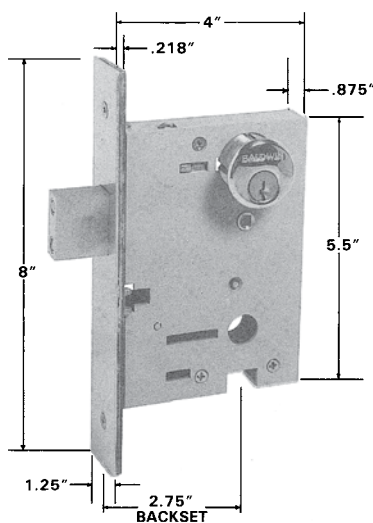
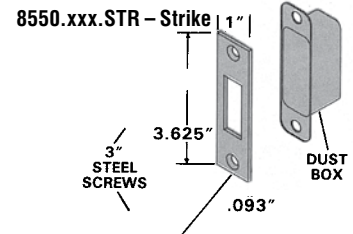
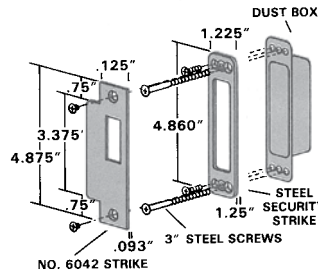
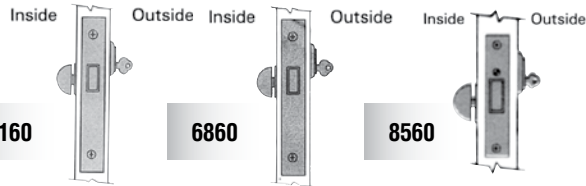
Double Cylinder

Function: Dead bolt by cylinder key from either side
Included: 8300 Cylinder Collar, 2 each



Turn Piece/Cylinder

Function: Dead bolt by cylinder key outside and turn piece inside
Included: 8300 Cylinder Collar & 6750 Turn Piece
Note: Other turn pieces and cylinder trim are available

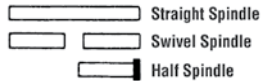


030, 031, 033
034, 040, 050
060, 102, 112
150, 151, 152
190, 260, 264

003
055
056

List of available handling options

	Suffix*
Right hand	.R
Left hand	.L
Right hand Reverse bevel	.RR
Left hand Reverse bevel	.LR
Right hand Lever Strength	.RLS
Left hand Lever Strength	.LLS
Right hand Reverse bevel Lever Strength	.RRLS
Left hand Reverse bevel Lever Strength	.LRLS



Spindle Key

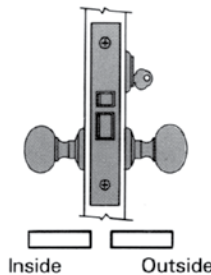
Item #	Description	Backset	Wt.	Std. Strike		
6051.xxx.Suffix*	Fail Safe (power off unlocks outside knob)	Knob x Knob/Lever x Lever	2.75"	3.0	6041	
6053.xxx.Suffix*	Fail Secure (power off locks outside knob)	Knob x Knob/Lever x Lever	2.75"	3.0	6041	\$780
						\$800
All Mortise Locks shown above Minus Strike (.DT) – Order w/ strike separately through Baldwin Customer Service						755
						775

Mortise Locks NOT available in Distressed finishes, non-distressed equivalents 402=102, 412=112, 452=152

- > Specify handing with Suffix* after finish designation (Suffix chart above left)
- > Baldwin mortise locks are reversible in the field if needed

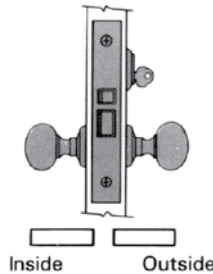
WARNING: DO NOT USE lever Strength mortise locks with knobs. They only turn one way and have a stiff turning action suitable for levers.

6051 – Fail Safe



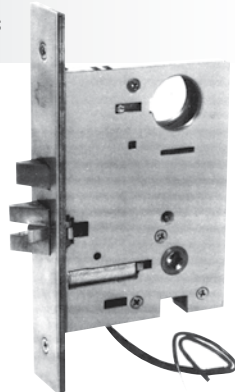
- > Latch bolt by knob either side except when outside knob is locked by energizing solenoid.
- > Key outside retracts latch bolt when solenoid is energized.
- > Inside knob is always FREE.
- > Auxiliary Latch deadlocks latch bolt.
- > IMPORTANT: POWER OFF UNLOCKS OUTSIDE KNOB.

6053 – Fail Secure



- > Latch bolt by knob either side ONLY when solenoid is energized.
- > Latch bolt retracted by key outside and knob inside when solenoid is NOT energized.
- > Inside knob is always FREE.
- > Auxiliary Latch deadlocks latch bolt.
- > IMPORTANT: POWER OFF LOCKS OUTSIDE KNOB.

Mortise Electrical Specifications



RATED VOLTAGE: 24V AC/24V DC – AC/DC Converter is built inside.

OPERATING VOLTAGE RANGE: 22-26V AC/V DC

TEST VOLTAGE: 18V AC/V DC

RATED CURRENT: 0.35 Amperes (0.4 Amperes Maximum)

DUTY: Continuous

SOLENOID LEAD WIRE LENGTH: 6" (153mm)

IMPORTANT FEATURE: To facilitate installation, Solenoid is constructed inside the lock case.

IMPORTANT NOTES:

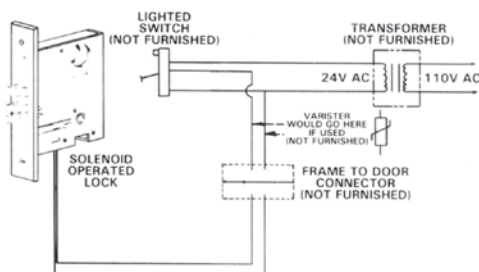
- Each electrified lock should have its own 24 volt transformer. Two or more locks may be operated in PARALLEL from a single transformer with the proper current rating. DO NOT connect locks in a series from a higher rated transformer.
- We DO NOT recommend wiring electrified locks to a circuit containing electromagnetic devices as transient voltage can cause damage to the lock. Transient voltage must be suppressed at its source before connecting locks to the circuit.
- A Varistor at 35 volts (peak-recurrent) may be used for transient voltage protection.
1-hole for latch bolt – Electric strike not available - must order 3rd party

APPLICATIONS: Electrically-controlled locking devices are designed for specific security and fire safety installations including:

Security Controlled Entrances	Stairwell Doors
Apartment Buildings	Computer Rooms
Remote-controlled Security Doors	Hospital/Narcotic Areas
Fire Safety Alarms	Cashier Rooms

CONTROLLING/REGULATING DEVICES: Electrified locks can be locked or unlocked by the following means:

Toggle (Wall) Switch	Computerized Controls
Master Control Consoles	Access Card Readers
Automatic Time Devices	Smoke/Fire Alarms
Security Alarms	Thermo-Sensitive Devices



MORTISE LOCKS ENTRANCE MORTISE STRIKES

Specifications for all Entrance Strikes

THICKNESS: .093" (2.3mm), brass material.

TEMPLATE: Designed to fit metal/wood frames prepared in accordance to ANSI A115.1/A115.11.

CURVED LIP: Available with a curved lip. Supplied standard with all locks incorporating a solid-type latch bolt. ALWAYS SPECIFY

SCREWS: Furnished with 12 combination wood/machine screws, finished to match.

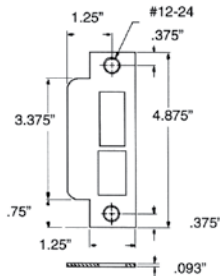
FEATURES: Furnished flat with rounded lip edges for universal use with left and right handed locks.

HAND OF DOOR: Example: 6340.XXX.R. Please see ordering instructions in this section.

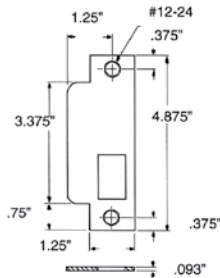
ASA Strikes - Straight & Curved Lip

Residential Entrance, Emergency Egress

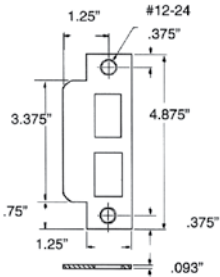
6040, 6340



6041, 6341



6043



ASA Strikes – Straight Lip – 1.25" Lip-to-Center

Item #	Function	031, 033, 034, 040, 050 060, 102, 112 150, 151, 152 190, 260, 264	003 055 056
6040.xxx	2.75" backset latch, deadbolt		
6041.xxx	2.75" backset latch only		
6043.xxx	2.75" backset latch, deadbolt, aux latch	\$30	\$35
6340.xxx	1.5," 2," 2.5" backset latch, deadbolt		
6341.xxx	1.5," 2," 2.5" backset latch only		

ASA Strikes – Curved Lip – 1.25" Lip-to-Center

Item #	Function	031, 033, 034, 040, 050 060, 102, 112 150, 151, 152 190, 260, 264	003 055 056
6040.xxx.R (L)	2.75" backset latch, deadbolt		
6041.xxx.R (L)	2.75" backset latch only		
6043.xxx.R (L)	2.75" backset latch, deadbolt, aux latch	\$30	\$35
6340.xxx.R (L)	1.5," 2," 2.5" backset latch, deadbolt		
6341.xxx.R (L)	1.5," 2," 2.5" backset latch only		

Curved lip strikes are handed – order same hand as door (.R or .L)

6040.xxx, 6340.xxx – LATCH/DEADBOLT FUNCTION

- > Supplied standard with all locks
- > Anti-friction latch bolt
- 6040 – Use with locks incorporating a .625" (16mm) wide latch bolt (6000 Series)
- 6340 – Use with locks incorporating a .5" (13mm) wide latch bolt. (6300 Series and 6800 Series locks)

6041.xxx, 6341.xxx – LATCH BOLT FUNCTION

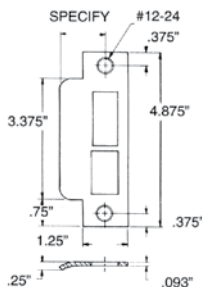
- 6041 – Use with locks incorporating .625" (16mm) wide latch bolt (6000 Series)
- 6341 – Use with locks incorporating .5" (13mm) wide latch bolt. (6300 Series and 6800 Series locks)

6043.xxx – LATCH/AUXILIARY LATCH/DEADBOLT FUNCTION

- Use with lock functions incorporating a latch, auxiliary latch, and deadbolt
- Available for 6000 Series locks only

ASA Strikes - Extended Lip

**6037, 6038, 6039
6338, 6339**



Item #	Function	031, 033, 034, 040, 050 060, 102, 112 150, 151, 152 190, 260, 264	003 055 056
6037.xxx.XXXX	2.75" backset latch, deadbolt, aux latch		
6038.xxx.XXXX	2.75" backset latch only		
6039.xxx.XXXX	2.75" backset latch, deadbolt	\$65	\$70
6338.xxx.XXXX	1.5," 2," 2.5" backset latch only		
6339.xxx.XXXX	1.5," 2," 2.5" backset latch, deadbolt		

.XXXX indicates Extended Lip to Center size = .R158, .L158, .R178, .L178, .R214, .L214, .R300, .L300

6037, 6038, 6039, 6338, 6339.xxx – EXTENDED LIP STRIKES (HANCED)

- > Use with locks installed on special door/frame conditions
- > Supplied with a curved lip only
- > ALWAYS SPECIFY HAND OF DOOR AND REQUIRED LENGTH
- > Note: Reverse bevel doors use opposite hand for strike selection (ie. Right hand reverse bevel use left hand strike.)
- > Lip to Center lengths:
 - .R158 or .L158 – 1.625" (41mm)
 - .R178 or .L178 – 1.875" (48mm)
 - .R214 or .L214 – 2.25" (57mm)
 - .R300 or .L300 – 3" (76mm)

Lip to Center length determined by the following formula:

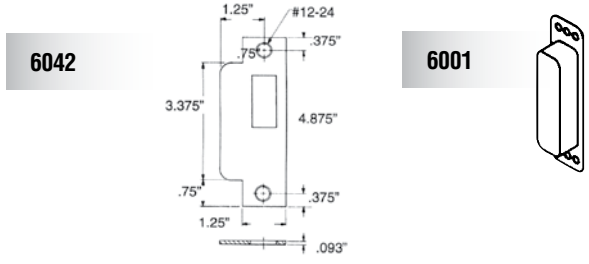
Door thickness ÷ 2 + .375" (10mm) = Lip to Center length

Round to closest size

*Strikes NOT available in Distressed finishes, non-distressed equivalents
402=102, 412=112, 452=152

BALDWIN

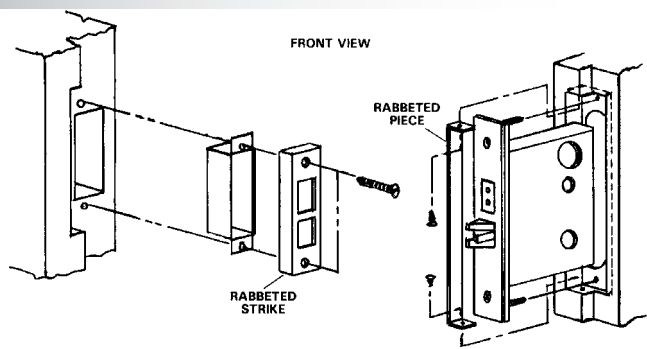
Deadlock Strike & Dust Box



Deadlock Strike		031, 033, 034, 040, 050 060, 102, 112 150, 151, 152 190, 260, 264	
Item #	Function		
6042.xxx	Deadlock function strike for 6000 & 6800 only	\$30	\$35
> Use with lock functions incorporating a deadbolt			
> Available for 6000 Series and 6800 Series locks only			

DUST BOX			
Item #	Description		
6001.000	Dust Box (included with all Mortise Locks)	\$5	
> Designed to conceal installation cut-outs and marks behind strikes.			
Box measures 1" (25mm) deep for use with all lock functions and strikes.			
> Furnished standard with all mortise locks illustrated within this section.			

Rabbeted Door Strike



Rabbeted Door Strike		031, 033, 034, 040, 050 060, 102, 112 150, 151, 152 190, 260, 264	
Item #	Function		
6897.xxx	1.5", 2", 2.5" backset, RABBETED strike	\$105	\$110

Used with all 1.5" (38mm), 2" (51mm), 2.5" (64mm) backset locks (6300, 6800 Series)

FEATURES: Rabbeted strikes and pieces are used on pairs of doors that have a meeting rail which is rabbeted or on single doors that have a rabbeted frame. The strike is designed to fit in a .5" (13mm) rabbet; a separate rabbeted piece conforms to the face of the lock. This rabbeted assembly is available for locks with 1.25" (32mm) wide fronts only.

SIZES: Strike 1" x 5" (25 x 127mm) (Non-Handed); Rabbeted Piece: .5" x 8" (13 x 203mm)

IMPORTANT NOTES:

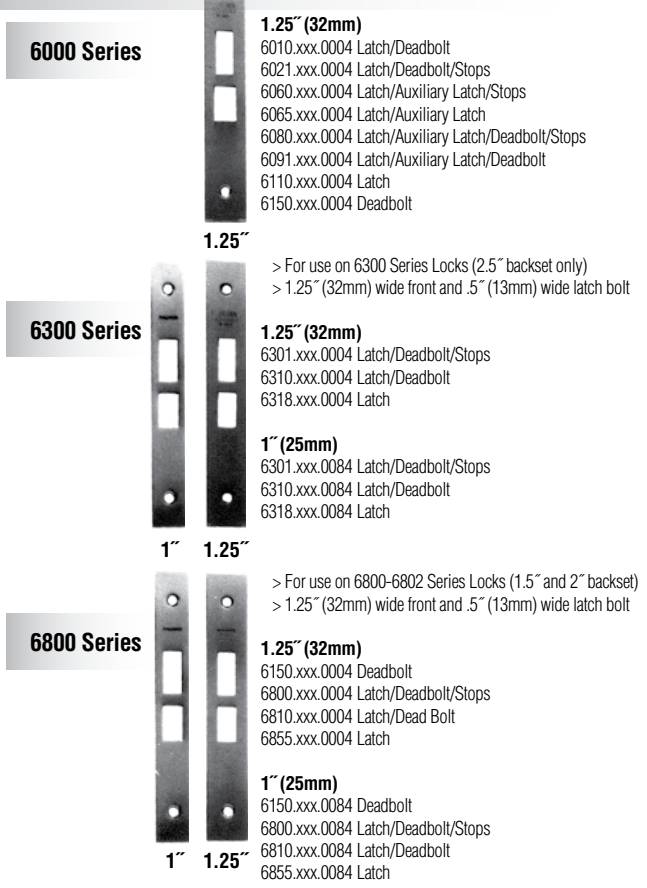
- RABBETED STRIKE AND PIECE ARE ONLY AVAILABLE FOR 1.75" (44mm) DOORS.
- When a rabbeted strike is ordered in conjunction with a keyed function lock, a steel security strike is NOT supplied.

PACKED: One complete set in a box with appropriate fasteners.

ORDERING INSTRUCTIONS: 6897 — Used with all 1.5" (38mm), 2" (51mm), 2.5" (64mm) backset locks (6300, 6800 Series). All locks which are furnished standard with a 1" (25mm) wide front must be ordered with a 1.25" (32mm) wide front.

NOT AVAILABLE for 2.75" backset locks

Armored Fronts



> For use on 6000 Series Locks (2.75" backset only)
> 1.25" (32mm) wide front and .625" (16mm) wide latch bolt

- 1.25" (32mm)**
- 6010.xxx.0004 Latch/Deadbolt
 - 6021.xxx.0004 Latch/Deadbolt/Stops
 - 6060.xxx.0004 Latch/Auxiliary Latch/Stops
 - 6065.xxx.0004 Latch/Auxiliary Latch
 - 6080.xxx.0004 Latch/Auxiliary Latch/Deadbolt/Stops
 - 6091.xxx.0004 Latch/Auxiliary Latch/Deadbolt
 - 6110.xxx.0004 Latch
 - 6150.xxx.0004 Deadbolt

> For use on 6300 Series Locks (2.5" backset only)
> 1.25" (32mm) wide front and .5" (13mm) wide latch bolt

- 1.25" (32mm)**
- 6301.xxx.0004 Latch/Deadbolt/Stops
 - 6310.xxx.0004 Latch/Deadbolt
 - 6318.xxx.0004 Latch
- 1" (25mm)**
- 6301.xxx.0084 Latch/Deadbolt/Stops
 - 6310.xxx.0084 Latch/Deadbolt
 - 6318.xxx.0084 Latch

> For use on 6800-6802 Series Locks (1.5" and 2" backset)
> 1.25" (32mm) wide front and .5" (13mm) wide latch bolt

- 1.25" (32mm)**
- 6150.xxx.0004 Deadbolt
 - 6800.xxx.0004 Latch/Deadbolt/Stops
 - 6810.xxx.0004 Latch/Dead Bolt
 - 6855.xxx.0004 Latch
- 1" (25mm)**
- 6150.xxx.0084 Deadbolt
 - 6800.xxx.0084 Latch/Deadbolt/Stops
 - 6810.xxx.0084 Latch/Deadbolt
 - 6855.xxx.0084 Latch

Armored Fronts

Removable armored fronts protect the lock against tampering of the cylinder yoke assembly. Available in all matching finishes of mortise locks.

ORDERING INSTRUCTIONS: Specify part number indicated below and finish required.

1.25" Armored Fronts – standard for 2.5" & 2.75" backset mortise locks		031, 033, 034, 040, 050 060, 102, 112 150, 151, 152 190, 260, 264	
Item #	Function		
6010.xxx.0004	Latch/Deadbolt		
6021.xxx.0004	Latch/Deadbolt/Stops		
6060.xxx.0004	Latch/Auxiliary Latch/Stops		
6065.xxx.0004	Latch/Auxiliary Latch		
6080.xxx.0004	Latch/Auxiliary Latch/Deadbolt/Stops		
6091.xxx.0004	Latch/Auxiliary Latch/Deadbolt		
6110.xxx.0004	Latch		
6150.xxx.0004	Deadbolt	\$30	\$35
6301.xxx.0004	Latch/Deadbolt/Stops		
6310.xxx.0004	Latch/Deadbolt		
6318.xxx.0004	Latch		
6800.xxx.0004	Latch/Deadbolt/Stops		
6810.xxx.0004	Latch/Deadbolt		
6855.xxx.0004	Latch		

1" Armored Fronts – standard for 1.5" & 2" backset mortise locks			
Item #	Function		
6301.xxx.0084	Latch/Deadbolt/Stops		
6310.xxx.0084	Latch/Deadbolt		
6318.xxx.0084	Latch		
6150.xxx.0084	Deadbolt	\$30	\$35
6800.xxx.0084	Latch/Deadbolt/Stops		
6810.xxx.0084	Latch/Deadbolt		
6855.xxx.0084	Latch		

*Strikes NOT available in Distressed finishes, non-distressed equivalents
402=102, 412=112, 452=152

CYLINDERS LOCK TRIM THICKNESS INDEX

A - .0625" (1.5mm) 6755 - Cylinder Collar

B - .0937" (2.4mm)

6511 - Escutcheon	6797 - Escutcheon
6540 - San Diego	6931 - Dallas
6543 - Lancaster	6940 - Denver
6555 - Boston	
6557 - Richmond	
6563 - Chicago	
6565 - Monterey	
6642 - Escutcheon	
6763 - Escutcheon	
6774 - Escutcheon	

C - .125" (3mm)

6541 - San Francisco	6922 - Lakewood	6980 - Escutcheon
6547 - Nashville	6933 - Versailles	6986 - Escutcheon
6768 - Cylinder Collar	6938 - Mobile	6993 - Escutcheon
6793 - Escutcheon	6942 - Bismark	6996 - Escutcheon
	6975 - Escutcheon	

D - .1875" (5mm)

6508 - Escutcheon	6567 - Trenton	6948 - Victoria
6551 - Reading	6765 - Escutcheon	8300 - Cylinder Collar (1/8" Adj.)
6552 - Baltimore	6767 - Escutcheon	

E - .25" (6mm)

6503 - Escutcheon	6571 - Concord
6504 - Escutcheon	6737 - Cylinder Collar
6548 - Detroit	6794 - Escutcheon
6554 - Barclay	6939 - Bristol Lever Set
6562 - New York	6991 - Escutcheon
	8300 - Cylinder Collar (1/16" Adj.)

F - .3125" (8mm)

6546 - Wilmington	6754 - Cylinder Collar	6961 - Westminster
6549 - Williamsburg (Sgl Cyl)	6757 - Cylinder Collar	8300 - Cylinder Collar (No Adj.)
6550 - Georgetown (Sgl Cyl)	6790 - Escutcheon	
6560 - Lexington	6795 - Escutcheon	
6573 - Springfield	6798 - Escutcheon	
	6950 - Kensington	

G - .375" (10mm)

6570 - Atlanta	6738, 6739, 6743	6974 - Lakeshore Entrance Set
6944 - Pasadena	6963 - Bristol Handle Set	6976 - Minneapolis
	6966 - Lakeshore Handleset	

H - .435" (11mm)

6952 - Edinburgh	6973 - Houston Entrance Set
6962 - Fenwick	6999 - Richland

H1 - .53" (12mm)

M502 - Cody 3/4 escutcheon	M512 - Boulder 3/4 escutcheon	M516 - Soho 3/4 escutcheon
M504 - Cody full escutcheon	M514 - Boulder full escutcheon	M522 - Bethpage

I - .5625" (14mm)

6515 - Oval Edinburgh (Mortise)	6516 - Oval Edinburgh (Mortise)
6520 - Bristol (Mortise)	6526 - Kensington (Mortise)

J - .75" (18mm)

6542 - Tremont	6791 - Escutcheon
6544 - Hamilton	6951 - Stanford

K - .875" (22mm)

6505 - Box Escutcheon (Dbl. Cyl. Only)	6549 - Williamsburg (Dbl. Cyl. Only)	6550 - Georgetown (Dbl. Cyl. Only)
--	--------------------------------------	------------------------------------

6503 - Escutcheon	.25"	E	6767 - Escutcheon	.1875"	D
6504 - Escutcheon	.25"	E	6768 - Cylinder Collar	.125"	C
6505 - Box Escutcheon	.875"	K	6774 - Escutcheon	.09"	B
6508 - Escutcheon	.1875"	D	6790 - Escutcheon	.3125"	F
6511 - Escutcheon	.09"	B	6791 - Escutcheon	.75"	J
6513 - Escutcheon	.375"	G	6793 - Escutcheon	.125"	C
6515 - Oval Edinburgh (Mort)	.5625"	I	6794 - Escutcheon	.25"	E
6516 - Oval Edinburgh (Mort)	.5625"	I	6795 - Escutcheon	.3125"	F
6520 - Bristol (Mort)	.5625"	I	6797 - Escutcheon	.09"	B
6526 - Kensington (Mort)	.5625"	I	6798 - Escutcheon	.3125"	F
6540 - San Diego	.09"	B	6922 - Lakewood	.125"	C
6541 - San Francisco	.125"	C	6931 - Dallas	.09"	B
6542 - Tremont	.75"	J	6933 - Versailles	.125"	C
6543 - Lancaster	.09"	B	6938 - Mobile	.125"	C
6544 - Hamilton	.75"	J	6939 - Bristol Lever Set	.25"	E
6546 - Wilmington	.3125"	F	6940 - Denver	.09"	B
6547 - Nashville	.125"	C	6942 - Bismark	.125"	C
6548 - Detroit	.25"	E	6944 - Pasadena	.435"	G
6549 - Williamsburg	.3125"	F	6948 - Victoria	.1875"	D
6549 - Williamsburg	.875"	K	6950 - Kensington	.3125"	F
6513 - Escutcheon	.375"	G	6951 - Stanford	.75"	J
6550 - Georgetown	.3125"	F	6952 - Edinburgh	.435"	H
6550 - Georgetown	.875"	K	6961 - Westminster	.3125"	F
6551 - Reading	.1875"	D	6962 - Fenwick	.435"	H
6552 - Baltimore	.1875"	D	6963 - Bristol Handle Set	.375"	G
6554 - Barclay	.25"	E	6966 - Lakeshore Handleset	.375"	G
6555 - Boston	.09"	B	6973 - Houston Entrance Set	.435"	H
6557 - Richmond	.09"	B	6974 - Lakeshore Entrance	.375"	G
6560 - Lexington	.3125"	F	6975 - Escutcheon	.125"	C
6562 - New York	.25"	E	6976 - Minneapolis	.375"	G
6563 - Chicago	.09"	B	6980 - Escutcheon	.125"	C
6565 - Monterey	.09"	B	6986 - Escutcheon	.125"	C
6567 - Trenton	.1875"	D	6988 - Escutcheon	.09"	B
6570 - Atlanta	.375"	G	6991 - Escutcheon	.25"	E
6571 - Concord	.25"	E	6993 - Escutcheon	.125"	C
6573 - Springfield	.3125"	F	6996 - Escutcheon	.125"	C
6641 - Pasadena	.375"	G	6999 - Richland	.435"	H
6642 - Escutcheon	.09"	B	8300 - Cylinder Collar	.1875"	D
6737 - Cylinder Collar	.25"	E	8300 - Cylinder Collar	.25"	E
6738 - Cylinder Collar	.375"	G	8300 - Cylinder Collar	.3125"	F
6739 - Cylinder Collar	.375"	G	M502 - Cody 3/4 escutcheon	.54"	H1
6743 - Cylinder Collar	.375"	G	M504 - Cody full escutcheon	.54"	H1
6754 - Cylinder Collar	.3125"	F	M512 - Boulder 3/4 escutcheon	.54"	H1
6755 - Cylinder Collar	.625"	A	M514 - Boulder full escutcheon	.54"	H1
6757 - Cylinder Collar	.3125"	F	M516 - Soho 3/4 escutcheon	.54"	H1
6763 - Escutcheon	.09"	B	M522 - Bethpage	.54"	H1
6765 - Escutcheon	.1875"	D			

DECIMAL FRACTION CHART

FRACTION	DECIMAL
1/16"	.0625"
1/8"	.125"
3/16"	.1875"
1/4"	.25"
5/16"	.3125"
3/8"	.375"
7/16"	.4375"
1/2"	.5"
9/16"	.5625"
5/8"	.625"
11/16"	.6875"
3/4"	.75"
13/16"	.8125"
7/8"	.875"

Single Cylinder – C Keyway

Door Thickness	1.375"		1.75"		2"		2.25"		2.5"	
Lock Trim Thickness	Cylinder Length	Blocking Ring	Cylinder Length	Blocking Ring	Cylinder Length	Blocking Ring	Cylinder Length	Blocking Ring	Cylinder Length	Blocking Ring
A - .0625"	1" 8321.xxx	.1875" 8440.xxx.5	1" 8321.xxx	—	1.125" 8322.xxx	—	1.25" 8323.xxx	—	1.375" 8324.xxx	—
B - .0937"	1" 8321.xxx	.1562" 8440.xxx.4	1" 8321.xxx	—	1.125" 8322.xxx	—	1.25" 8323.xxx	—	1.375" 8324.xxx	—
C - .125"	1" 8321.xxx	.125" 8440.xxx.3	1.125" 8322.xxx	—	1.125" 8322.xxx	—	1.25" 8323.xxx	—	1.375" 8324.xxx	—
D - .1875"	1" 8321.xxx	—	1.125" 8322.xxx	—	1.25" 8323.xxx	—	1.375" 8324.xxx	—	1.5" 8325.xxx	—
E - .25"	1" 8321.xxx	—	1.25" 8323.xxx	—	1.25" 8323.xxx	—	1.375" 8324.xxx	—	1.5" 8325.xxx	—
F - .3125"	1.125" 8322.xxx	—	1.25" 8323.xxx	—	1.375" 8324.xxx	—	1.5" 8325.xxx	—	1.625" 8326.xxx	—
G - .375"	1.125" 8322.xxx	—	1.25" 8323.xxx	—	1.375" 8324.xxx	—	1.5" 8325.xxx	—	1.625" 8326.xxx	—
H - .435"	1.125" 8322.xxx	—	1.375" 8324.xxx	—	1.5" 8325.xxx	—	1.625" 8326.xxx	—	1.75" 8327.xxx	—
H1 - .53"	1.125" 8322.xxx	—	1.5" 8325.xxx	—	1.625" 8326.xxx	—	1.75" 8327.xxx	—	2" 8328.xxx	—
I - .56"	1.125" 8322.xxx	—	1.5" 8325.xxx	—	1.625" 8326.xxx	—	1.75" 8327.xxx	—	2" 8328.xxx	—
J - .75"	1.5" 8325.xxx	—	1.625" 8326.xxx	—	1.75" 8327.xxx	—	2" 8328.xxx	.125" 8440.xxx.3	2" 8328.xxx	—

Item #	Description	031, 033, 040, 050, 060, 102, 112, 150, 151, 152, 190, 260, 264	003 055 056
8321.xxx	1" Mortise Cyl.		
8322.xxx	1.125" Mortise Cyl.		
8323.xxx	1.25" Mortise Cyl.	\$50	\$55
8324.xxx	1.375" Mortise Cyl.		
8325.xxx	1.5" Mortise Cyl.		
8326.xxx	1.625" Mortise Cyl.		
8327.xxx	1.75" Mortise Cyl.		
8328.xxx	2" Mortise Cyl.	\$110	115
8329.xxx	2.25" Mortise Cyl.		
8330.xxx	2.5" Mortise Cyl.		

NOTE: When ordering cylinders for G-SERIES MORTISE LOCKS, use this chart, but add a suffix 'EMHT' to the end of the Item #. (same price as standard C keyway cylinders)

EXAMPLE:

Lifetime Polished Brass 1.25" cylinder for G-series mortise 8323.003.EMHT

8321-8330



Double Cylinder - C Keyway

Door Thickness	1.375"		1.75"		2"		2.25"		2.5"	
Lock Trim Thickness	Cylinder Length	Blocking Ring	Cylinder Length	Blocking Ring	Cylinder Length	Blocking Ring	Cylinder Length	Blocking Ring	Cylinder Length	Blocking Ring
A - .0625"	1" 8321.xxx.DBL	.2812"+ 8440.xxx.7	1" 8321.xxx.DBL	.1875" 8440.xxx.5	1" 8321.xxx.DBL	—	1.125" 8322.xxx.DBL	—	1.25" 8323.xxx.DBL	—
B - .0937"	1" 8321.xxx.DBL	.25"+ 8440.xxx.6	1" 8321.xxx.DBL	.125" 8440.xxx.3	1.125" 8322.xxx.DBL	.0625" 8440.xxx.1	1.25" 8323.xxx.DBL	.0625" 8440.xxx.1	1.375" 8324.xxx.DBL	.0625" 8440.xxx.1
C - .125"	1" 8321.xxx.DBL	.2187"+ 8440.xxx.6	1" 8321.xxx.DBL	.0625" 8440.xxx.1	1.125" 8322.xxx.DBL	.0625" 8440.xxx.1	1.25" 8323.xxx.DBL	.0625" 8440.xxx.1	1.375" 8324.xxx.DBL	.0625" 8440.xxx.1
D - .1875"	1" 8321.xxx.DBL	.1526"+ 8440.xxx.4	1.125" 8322.xxx.DBL	.093"+ 8440.xxx.2	1.125" 8322.xxx.DBL	—	1.25" 8323.xxx.DBL	—	1.375" 8324.xxx.DBL	—
E - .25"	1" 8321.xxx.DBL	.1875" 8440.xxx.5	1.125" 8322.xxx.DBL	.0625" 8440.xxx.1	1.25" 8323.xxx.DBL	.0625" 8440.xxx.1	1.375" 8324.xxx.DBL	.0625" 8440.xxx.1	1.5" 8325.xxx.DBL	.0625" 8440.xxx.1
F - .3125"	1" 8321.xxx.DBL	.0625" 8440.xxx.1	1.25" 8323.xxx.DBL	.093"+ 8440.xxx.2	1.25" 8323.xxx.DBL	—	1.375" 8324.xxx.DBL	—	1.5" 8325.xxx.DBL	—
G - .375"	1" 8321.xxx.DBL	—	1.25" 8323.xxx.DBL	.0625" 8440.xxx.1	1.375" 8324.xxx.DBL	.0625" 8440.xxx.1	1.5" 8325.xxx.DBL	.0625" 8440.xxx.1	1.625" 8326.xxx.DBL	.0625" 8440.xxx.1
H - .435"	1.125" 8322.xxx.DBL	.0625" 8440.xxx.1	1.25" 8323.xxx.DBL	—	1.5" 8325.xxx.DBL	.0625"+ 8440.xxx.1	1.5" 8325.xxx.DBL	—	1.625" 8326.xxx.DBL	—
I - .5625"	1.125" 8322.xxx.DBL	.0937"+ 8440.xxx.2	1.5" 8325.xxx.DBL	.0625" 8440.xxx.1	1.5" 8325.xxx.DBL	.0625" 8440.xxx.1	1.625" 8326.xxx.DBL	.156"+ 8440.xxx.4	2" 8328.xxx.DBL	.0625" 8440.xxx.1
J - .75"	1.5" 8325.xxx.DBL	.0937"+ 8440.xxx.2	1.625" 8326.xxx.DBL	.0625" 8440.xxx.1	1.75" 8327.xxx.DBL	.0625" 8440.xxx.1	2" 8328.xxx.DBL	.156"+ 8440.xxx.4	2" 8328.xxx.DBL	.0625" 8440.xxx.1
F - .3125" Exterior	1" 8321.xxx	—	1.125" 8322.xxx	—	1.25" 8323.xxx	—	1.375" 8324.xxx	—	1.5" 8325.xxx	—
K - .875" Exterior	1.5" 8325.xxx	—	1.75" 8327.xxx	—	2" 8328.xxx	.125" 8440.xxx.3	2" 8328.xxx	—	2.25" 8329.xxx	.125" 440.xxx.3

Item #	Description	031, 033, 040, 050, 060, 102, 112, 150, 151, 152, 190, 260, 264	003 055 056
8321.xxx.DBL	1" Double Cyl.		
8322.xxx.DBL	1.125" Double Cyl.		
8323.xxx.DBL	1.25" Double Cyl.	\$100	\$110
8324.xxx.DBL	1.375" Double Cyl.		
8325.xxx.DBL	1.5" Double Cyl.		
8326.xxx.DBL	1.625" Mortise Cyl.		
8327.xxx.DBL	1.75" Mortise Cyl.		
8328.xxx.DBL	2" Mortise Cyl.	220	230
8329.xxx.DBL	2.25" Mortise Cyl.		
8330.xxx.DBL	2.5" Mortise Cyl.		

Blocking Rings

Item #	Description	031, 033, 040, 050, 060, 102, 112, 150, 151, 152, 190, 260, 264	003 055 056
8440.xxx.001	.0625" - 1/16" B.R.		
8440.xxx.002	.0937" - 3/32" B.R.		
8440.xxx.003	.125" - 1/8" B.R.		
8440.xxx.004	.1562" - 5/32" B.R.	\$15	\$20
8440.xxx.005	.1875" - 3/16" B.R.		
8440.xxx.006	.25" - 1/4" B.R.		

8440

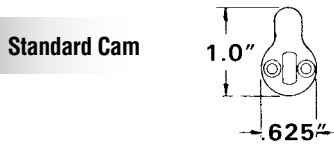
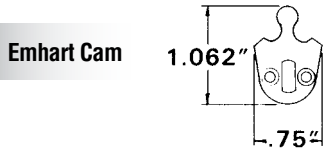
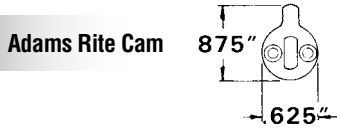


+ Two Blocking Rings Required

*Cylinders NOT available in Distressed finishes, non-distressed equivalents: 402=102, 412=112, 452=152

CYLINDERS ACCESSORIES

Cams for Mortise Cylinders



Item #	Description	Finish	Price
8300.009.0065	5-pin Cylinder Spring Covers	009	
8300.009.0066	6-pin Cylinder Spring Covers	009	\$27
8300.109.005	Cylinder Springs	109	
8300.509.AR	Adams Rite Cam	009	
8300.509.EMHT	Emhart Cam	009	
8300.509.STD	Standard Cam	009	7
8313.329.TPH1	Rim Cylinder Tailpiece – 2.2188" (56mm)	—	
8313.329.TPH2	Rim Cylinder Tailpiece – 3.1875" (81mm)	—	

ADAMS RITE CAM

Thickness: .0625" (2mm)
For Adams Rite Series 1800,
4093, 4500.

EMHART CAM

Thickness: .0625" (2mm)
For use with Emhart Mortise type locks.

STANDARD CAM

Thickness: .0625" (2mm)
For use with most manufacturers of Mortise type locks.

Tailpiece Bars For Rim Cylinders

Horizontal
8313.329.TPH1 – 2.2188" (56mm)
8313.329.TPH2 – 3.1875" (81mm)

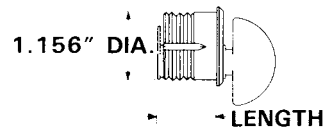
Residential Trim Marking Template



Item #	Description	Price
8498.000	Residential trim marking template – 2.75" doors	\$52

Features: To eliminate face drilling errors with Residential Trim shown in this section, Baldwin offers an economical metal template to ensure precision hole alignment. The template is designed to easily slide over a 1.75" (44mm) door and engages into the mortise cutout. The hole positions mark the center of the specific bore locations. Before marking hole positions, ALWAYS check to verify that metal template is square to mortise cutout. Mark hole locations accordingly and remove template.

Mortise Lock Turn Piece Cylinders



Item #	Description	030, 031, 033, 034, 040, 050, 060, 102, 112, 150, 151, 152, 190, 260, 264	003 055 056
8441.xxx	1" Turn Knob Cylinder		
8442.xxx	1.125" Turn Knob Cylinder		
8443.xxx	1.25" Turn Knob Cylinder	\$110	\$115
8444.xxx	1.625" Turn Knob Cylinder		

Mortise Lock Turn Piece Cylinders

Features: Used for specific conditions when operation by turn piece is required in place of a key. Available only with 6720 T-knob attached. Not handed.

*Cylinders NOT available in Distressed finishes,
non-distressed equivalents: 402=102, 412=112, 452=152

BALDWIN

Cylinder Trim
Cylinder Not Included

030, 031, 033,
034, 040, 050,
060, 102, 112, 003, 055
150, 151, 152, 056, 402
190, 260, 264 412, 452

6737

2.5" x 2.5" x .25"
projection – E
(64 x 64mm)



6738, 6738S*

1.75" dia. x .375"
projection – G



6739

1.9" x 1.9" x .375"
projection – G



6743, 6743S*

2.0" x 2.0" x .375"
projection – G



6754

1.687" x 3" x .3125"
projection – F
(43 x 76mm)



6757

1.75" projection - F
(44mm) dia.



6761

For use with escutcheons
and sectional trim for
symmetrical appearance
on pairs of doors.



6768

1.75" projection - C
(44mm) dia.



6755

1.625" x 2.375" x .3125"
projection – A
(41 x 60mm)
NOTE: Prepared to fit
Baldwin mortise or trim
cylinders only.



8300

**Compression Cylinder
Collar**
Diameter:

8314

Standard Rim Cylinder Collar
Diameter: 1.945" (49mm)
Thickness: .030 (.8mm)
Adjustment Range: None



Item #	Description		
6737.xxx	Square Cylinder Collar		
6738.xxx	Contemporary Round Collar		
6738S.xxx*	Contemporary Round Stainless*		
6739.xxx	Lakeshore Cylinder Collar		
6743.xxx	Contemporary Square Collar		
6743S.xxx*	Contemporary Square Stainless*	\$45	\$50
6754.xxx	Oval Cylinder Collar		
6757.xxx	Colonial Cylinder Collar		
6761.xxx	Dummy Cylinder		
6768.xxx	Beaded Cylinder Collar		
6755.xxx	Cylinder Lock Cover Plate	95	100
6755.xxx.001	1/16" Blocking Ring – 6755 only		
6755.xxx.002	3/32" Blocking Ring – 6755 only	(040 finish only)	10
6755.xxx.003	1/8" Blocking Ring – 6755 only		
8300.xxx	Compression Cylinder Collar	18	23
8314.xxx	Wrought Cylinder Collar**	15	20

*Stainless Steel collars available in 320 & 324

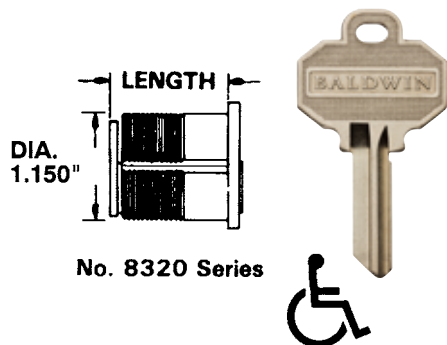
**8314 Wrought Cylinder Collar NOT available in Distressed finishes

NOTE: Cylinder collars are only for mortise cylinders and will not work on tubular deadbolts.

CYLINDERS

MORTISE CYLINDER SPECIFICATIONS

Mortise Lock Cylinders



Length of Mortise Cylinders: The length of a Baldwin cylinder is the measurement from the back edge of the cylinder cap to the outer surface of the cam as illustrated.

Item Number			
C(03) Keyway	E(05) Keyway	F(06) Keyway	Cylinder Length
8321	8341	8361	1" (25mm)
8322	8342	8362	1.125" (29mm)
8323	8343	8363	1.25" (32mm)
8324	8344	8364	1.375" (35mm)
8325	8345	8365	1.5" (38mm)
8326	—	—	1.625" (41mm)
8327	—	—	1.75" (44mm)
8328	—	—	2" (51mm)
8329	—	—	2.25" (57mm)
8330	—	—	2.5" (64mm)

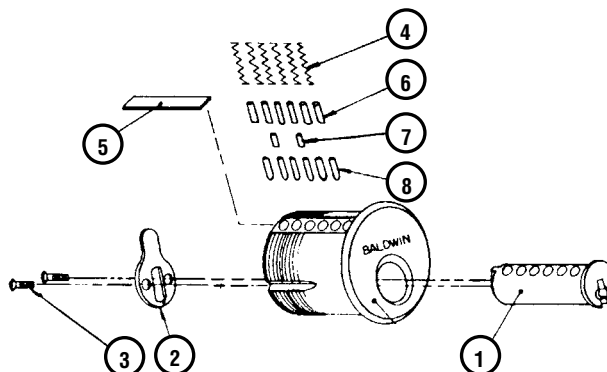
Features: Baldwin 6 pin (5 pin for 1" [25mm]) precision mortise cylinders are made of solid extruded brass. Finish is applied to cap only. When ordered separately, cylinders are supplied with 2 nickel silver keys. Cam 8300.509.STD is furnished. Cams illustrated on page K/10 can be ordered at additional charge. Cylinder lengths greater than 1.5" (38mm) are not available for E(05) and F(06) keyway Cylinders.

Keying Requirements: Available in a multitude of keying arrangements including Master, Grand Master and Construction Keying Levels.

Ordering Instructions: Standard Mortise Cylinder: Specify item number and finish. Hotel Mortise Cylinder: Specify item number, finish with suffix "H". Cylinder price includes all MK charges and standard key bow. Cylinder is available with 6 pin keying only.

- No. 1** – 8320.XXX.003 – Series cylinder plug. Specify length required and either US4 or 26D finish.
- No. 2** – 8300.509.STD – Cylinder Cam Standard
- No. 3** – 8300.509.004 – Mounting Screws for cam
- No. 4** – 8300.109.005 – Tumbler Springs
- No. 5** – 8300.009.0065 – Spring Covers (5 pin)
8300.009.0066 – Spring Covers (6 pin)
- No. 6** – 8320.009.101 – Top Pins (For Bottom Pins #0–#3)
8320.009.102 – Top Pins (For Bottom Pins #4–#6)
8320.009.103 – Top Pins (For Bottom Pins #7–#9)
- No. 7** – 8320.009.202 #2 Master Pins - .0295 (0.749mm)
8320.009.203 #3 Master Pins - .0445 (1.130mm)
8320.009.204 #4 Master Pins - .0595 (1.511mm)
8320.009.205 #5 Master Pins - .0745 (1.892mm)
8320.009.206 #6 Master Pins - .0895 (2.273mm)
8320.009.207 #7 Master Pins - .1045 (2.654mm)
8320.009.208 #8 Master Pins - .1195 (3.035mm)
8320.009.209 #9 Master Pins - .1345 (3.416mm)

- No. 8** – 8320.152.300 #0 Bottom Pins - .1655 (4.204mm)
8320.152.301 #1 Bottom Pins - .1805 (4.585mm)
8320.152.302 #2 Bottom Pins - .1955 (4.966mm)
8320.152.303 #3 Bottom Pins - .2105 (5.347mm)
8320.152.304 #4 Bottom Pins - .2255 (5.728mm)
8320.152.305 #5 Bottom Pins - .2405 (6.109mm)
8320.152.306 #6 Bottom Pins - .2555 (6.489mm)
8320.152.307 #7 Bottom Pins - .2705 (6.871mm)
8320.152.308 #8 Bottom Pins - .2855 (7.252mm)
8320.152.309 #9 Bottom Pins - .3005 (7.633mm)

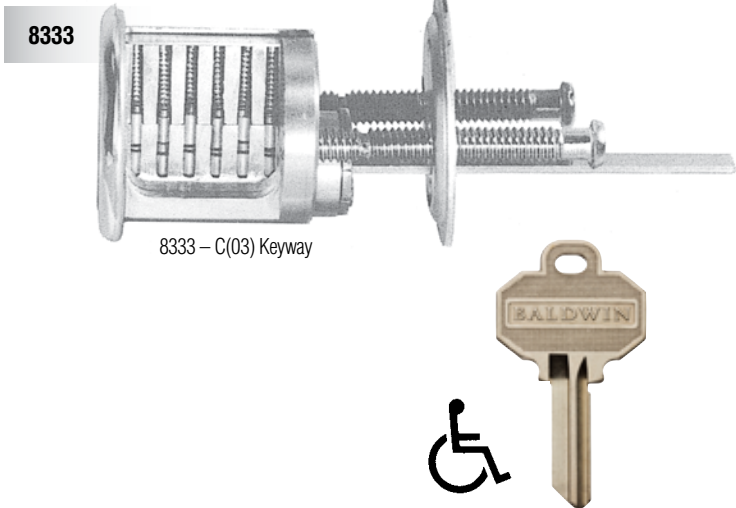


CYLINDERS

RIM CYLINDERS, FOR BALDWIN RIM LOCKS

Rim Lock Cylinders & Tailpiece Bars

**030, 031, 033,
034, 040, 050,
060, 102, 112,
150, 151, 152,
190, 260, 264** **003
055
056**



Item #	Description	Keyway		
8333.xxx	Rim Cylinder	C	\$75	\$80
8333.xxx.H	Rim Cylinder	C	105	110

Features: Baldwin 6 pin precision Rim Cylinders are made of solid extruded brass. Finish is applied to cap only. When ordered separately, Cylinders are supplied with 2 nickel silver keys. Tailpiece 8313.329.TPH1 is furnished. C(03) Keyway Cylinders are furnished standard with rim locks unless otherwise specified. Consult price list.

Keying Requirements: Available in a multitude of keying arrangements including Master, Grand Master and Construction Keying Levels.

Cylinder Collar: Cylinder Collars are furnished standard with all keyed rim locks. Cylinder collars shown on page K/11 may be furnished at an additional charge.

Ordering Instructions: Standard Rim Cylinder: Specify item number and finish.

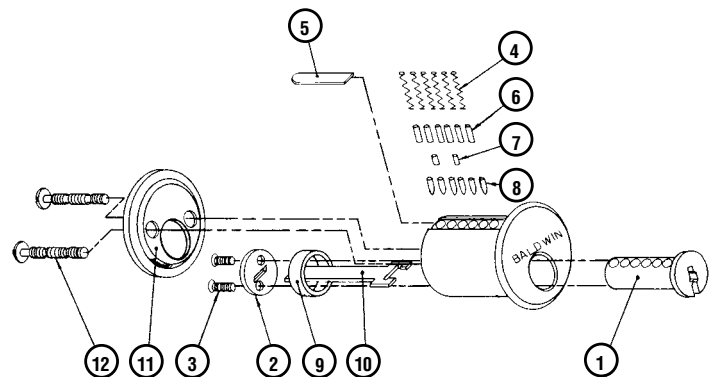
Weight Each: .3 lb. (.14kg)

Tailpiece Bars for Rim Cylinders

Item #	Description	329	
8313.329.TPH1	Rim cylinder tailpiece (regular – 2.22")		
8313.329.TPH2	Rim cylinder tailpiece (long – 3.1875")	(329 finish only)	\$7

- No. 1 –** 8333.XXX.003 – Cylinder plug. Specify either US4 or 26D finish.
- No. 2 –** 8333.009.007 – Tailpiece Plate
- No. 3 –** 8300.509.004 – Mounting Screws for Tailpiece
- No. 4 –** 8300.109.005 – Tumbler Springs
- No. 5 –** 8300.009.0066 – Spring Covers (6 pin)
- No. 6 –** 8320.009.101 – Top Pins (For Bottom Pins #0–#3)
8320.009.102 – Top Pins (For Bottom Pins #4–#6)
8320.009.103 – Top Pins (For Bottom Pins #7–#9)
- No. 7 –** 8320.009.202 #2 Master Pins - .0295 (0.749mm)
8320.009.203 #3 Master Pins - .0445 (1.130mm)
8320.009.204 #4 Master Pins - .0595 (1.511mm)
8320.009.205 #5 Master Pins - .0745 (1.892mm)
8320.009.206 #6 Master Pins - .0895 (2.273mm)
8320.009.207 #7 Master Pins - .1045 (2.654mm)
8320.009.208 #8 Master Pins - .1195 (3.035mm)
8320.009.209 #9 Master Pins - .1345 (3.416mm)

- No. 8 –** 8320.152.300 #0 Bottom Pins - .1655 (4.204mm)
8320.152.301 #1 Bottom Pins - .1805 (4.585mm)
8320.152.302 #2 Bottom Pins - .1955 (4.966mm)
8320.152.303 #3 Bottom Pins - .2105 (5.347mm)
8320.152.304 #4 Bottom Pins - .2255 (5.728mm)
8320.152.305 #5 Bottom Pins - .2405 (6.109mm)
8320.152.306 #6 Bottom Pins - .2555 (6.489mm)
8320.152.307 #7 Bottom Pins - .2705 (6.871mm)
8320.152.308 #8 Bottom Pins - .2855 (7.252mm)
8320.152.309 #9 Bottom Pins - .3005 (7.633mm)
- No. 9 –** 8333.009.010 Spacer
- No. 10 –** 8313.329.TPH1 Tailpiece – Horizontal (Regular)
8313.329.TPH2 Tailpiece – Horizontal (Long)
- No. 11 –** 8313.509.008 Mounting Plate
- No. 12 –** 8313.509.009 Mounting Screws

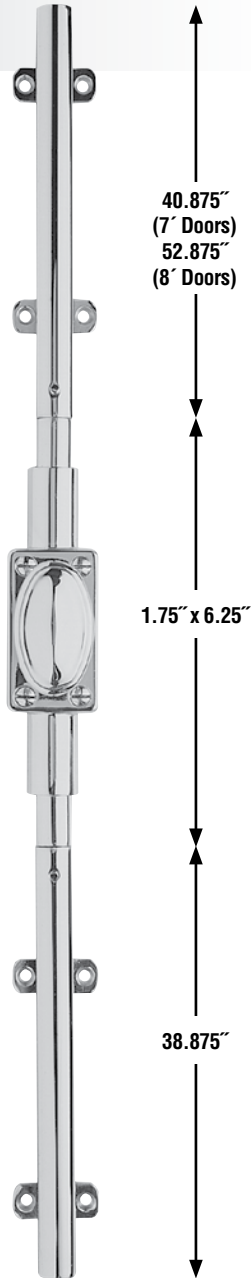


MISCELLANEOUS REPLACEMENT PARTS

					Price
1A	8490.000.001	.25-20 x 3" FH PH MS	Door knocker/hand set/thru-bolt	10 ea	\$10
1B	8490.000.002	No. 10-24 x 3" OH PH MS x 260	Extra long trim thru-bolts	10 ea	11
1C	8490.000.003	No. 10-24 x 3" OH PH MS x 030	Extra long trim thru-bolts	10 ea	11
2A	8490.000.004	No. 10 x 1" FH PH UC WS x 030	Hinge screws	100 ea	38
2B	8490.000.005	No. 12 x 1.25" FH PH UC WS x 030	Hinge screws	100 ea	43
3A	8490.000.006	No. 10-24 x .5" FH PH MS x 030	Hinge screws	100 ea	44
3B	8490.000.007	No. 12-24 x .5" FH PH MS x 030	Hinge screws	100 ea	30
4B	8490.00.010	No. 6 x .625" OH PH SMS x 040	Kick plate screws	200 ea	50
8A	8490.000.019	No. 8-32 Combination WS/MS	Bread board screws for cabinet knobs	25 ea	50
8B	8490.000.020	No. 6-32 x .375" OH SL MS	Switch plate screws	50 ea	17
8D	8490.000.022	No. 8 x .75" FH PH WS	Latch/strike/DM backplate screws	50 ea	16
8E	8490.000.023	No. 8 x .375" FH PH SMS	Screws for No. 5097 backplate	100 ea	22
9A	8490.000.024	No. 12 x 1" FH PH Comb.	Mortise lock screws	50 ea	13
9B	8490.000.025	No. 4 x .75" RD SL WS x 040	Lock trim/house number screws	50 ea	13
9C	8490.000.026	No. 5 x .625" FH SL WS x 040	Lock trim screws	50 ea	31
10A	8490.000.027	No. 6 x .5" OH SL WS x 040	Lock trim screws	100 ea	32
10B	8490.000.028	No. 8 x .875" OH PH WS x 040	Lock trim screws	100 ea	29
10C	8490.000.029	No. 10 x 2" OH SL WS x 030	Lock trim screws	20 ea	27
11C	8490.000.032	No. 8-32 x .218" FH PH UC MS x 030	Armored front screws	20 ea	6
11D	8490.000.033	No. 3-32 x .218" FH PH UC MS x 260	Armored front screws	20 ea	6
11E	8490.000.034	No. 8-32 x .218" FH PH UC MS x 102	Armored front screws	20 ea	6
12A	8490.000.035	No. 10-24 x 2.125" OH PH MS x 030	Trim thru-bolts	20 ea	9
13A	8490.000.037	No. .25-20 UNC x .25"	Socket set screws #0561	200 ea	84
14A	8490.000.038	No. 8-32 x .5" FH PH MS	Installation plate screws	100 ea	37
14B	8490.000.039	No. 6-32 x .25" PAN SL MS	Lock front beveling screws	20 ea	6
14C	8490.000.040	No. 8-32 x .25" FH PH U/C MS	Lock lid screws	20 ea	6
15A	8490.000.041	Complete yoke assembly	For 2.75" backset locks	2 ea	13
15B	8490.000.042	Complete yoke assembly	For 2.5" backset locks	2 ea	13
16A	8490.000.043	Stop ball	For all mortise locks	10 ea	6
16B	8490.000.044	Stop spring	For all mortise locks	10 ea	6
17A	8490.000.045	Turn hub spring	For 2.75" backset mortise locks	5 ea	6
18A	8490.000.047	Latch spring	For 2.75" backset locks	5 ea	6
18B	8490.000.048	Lift lever spring	For 2.75" backset handleset functions	5 ea	6
19A	8490.000.049	Anti-friction hinge pin	All locks with anti-friction latch	10 ea	4
19B	8490.000.050	Wear washer	For 2.5" & 2.75" B.S. emergency egress locks	10 ea	4
20B	8490.000.052	Hub lever spring	For 2.5" backset locks	5 ea	6
21A	8490.000.053	Lift lever spring	For 2.5" backset handleset functions	5 ea	6
21B	8490.000.054	Latch spring	For 2.5" backset locks	5 ea	6
22A	8490.000.055	Turn hub spring	For 1.5" & 2.0" backset locks	5 ea	6
22B	8490.000.056	Hub lever spring	For 1.5" & 2.0" backset locks	5 ea	6
24B	8490.000.060	Cylinder yoke	For 1.5" & 2.0" backset locks	2 ea	6
25A	8490.000.061	Cylinder set screw	For 1.5" backset locks	2 ea	4
25B	8490.000.062	Cylinder set screw	For 2.0" backset locks	2 ea	6

MISCELLANEOUS CREMONE BOLTS

Cremone Bolts



8105, 8106, & 8107.xxx Right Hand or Left Hand, 7 or 8 ft. units.

SOLID FORGED BRASS CONSTRUCTION

CASE SIZE: 1.75" x 6.25" (44 x 159mm)

BOLT DIMENSIONS: STANDARD 7 FT. LENGTH
Top Rod: .625" x 40.875" (16 mm x 1.04m).
Bottom Rod: .625" x 38.875" (16 x .99 m)

STANDARD 8 FT. LENGTH
Top Rod: .625" x 52.875" (16mm x 1.34)
Bottom Rod: .625" x 38.875" (16mm x .99m)

THROW: When engaged: both bolts extend .75" (19mm) into jamb and sill.

GUIDES: 1.5" (38mm) wide. Decorative covers to conceal guides are available at an additional charge. Please consult price list.

FASTENERS: Case is surface mounted with 4 No. 8 x 1.25" Oval Phillips Head Screws for added strength and durability.

STRIKES: Furnished with 3 Strikes, one Universal, one Angle, and one Mortise to meet various door conditions.

SPINDLE: 1.375" (35mm) in length. (NO. 81054) A straight spindle must be ordered when trim is ordered for the exterior side of the door.

FEATURES: Often used as an elegant and functional addition to a pair of french doors with very narrow stile conditions. A typical application requires active cremone bolts mounted on each leaf of a pair of doors with no exterior access. Specify cremone bolt less knob (LK) or less lever (LL), and order knob or lever minus rose (MR) of choice as a separate item.

SPECIAL CONDITIONS: When specified, most trim as illustrated in Section F is available for the exterior side to latch door. Indicate knob or lever to be furnished. Straight spindle must be purchased separately. In addition, for doors larger than 8ft. see Cremone Bolt extension packets below.

PACKED: One in a box with three strikes and the appropriate fasteners. Cremone Bolts are available in two sizes, one for doors up to and including 7 ft. (2.13m) and one for doors between 7 feet and 8 feet in height, at an additional cost. A 42" centerline above the finished floor is considered standard with our Cremone Bolts.

NOTE: Always specify hand of door as Knob/Lever trim will turn only in one direction. See diagram on pg. J/10 for handling details. To enable greater job site flexibility, exact sizing of Cremone Bolts can be accomplished in the field. For doors larger than 8ft. in height, the addition of a Cremone Bolt extension packet is necessary. See table below.

ORDERING INFORMATION: The final suffix numbers will indicate the following:
Digit #1 of the suffix will indicate hand of the unit: either right (R) or left (L)
Digit #2 of the suffix will indicate length: either 7' or 8'
Digits #3 & #4 of the suffix will indicate a cremone bolt less knob (LK) or lever (LL).

ORDERING EXAMPLES, KNOB/FUNCTION: Order cremone bolt and separate line item for knob:
8105.XXX.R7LK: Standard design 7' Cremone bolt right hand less knob
5000.XXX.IMR: 1 each 5000 knob minus rose

ORDERING EXAMPLES, LEVER/FUNCTION: Order cremone bolt and separate line item for lever:
8105.XXX.L7LL: Standard design 7' Cremone bolt right hand less lever 1 each
5125 lever left hand minus rose: 5152.XXX.LMR Nos. 8105, 8106 & 8107.
XXX.R7/R8R/LK are furnished with guides less knobs or levers.

CREMONE BOLT EXTENSION PACKETS:
8106.XXX.E24 2 FT. Extension Packet - Ornamental Design
8106.XXX.E48 4 FT. Extension Packet - Ornamental Design
8107.XXX.E24 2 FT. Extension Packet - Contemporary Design
8107.XXX.E48 4 FT. Extension Packet - Contemporary Design

These packets contain all the parts necessary to extend the top rod length of stock 7ft. or 8ft. Cremone Bolts for special door situations. The following chart illustrates which item to order for a particular door size.

NOTE: Extension packets are only available for Cremone Bolts with decorative covers. Not available for use with 8105 Cremone Bolts.

8105.xxx
FOR ILLUSTRATION PURPOSES ONLY.
TRIM AVAILABLE ON EXTERIOR SIDE.



0310.xxx.ANGL
Angle Strike

TIER 1 FINISHES: 102, 150
TIER 2 FINISHES: 151



0310.xxx.UNIV
Universal Strike

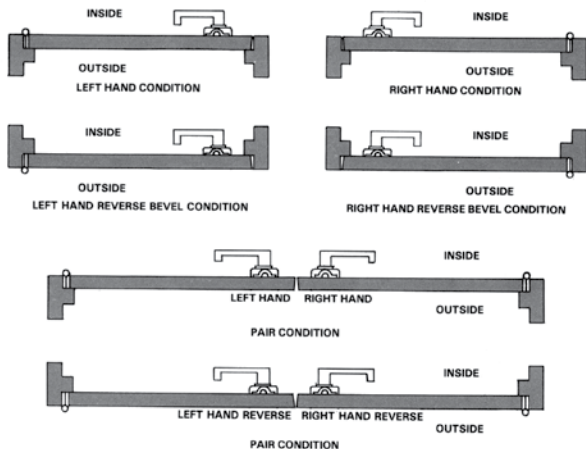
TIER 1 FINISHES: 102, 150



0310.xxx.MORT
Mortise Strike

Door Size	Stock parts to be ordered
up to 9 ft.	Standard 7 ft. Cremone Bolt and 2 ft. Extension
up to 10 ft.	Standard 8 ft. Cremone Bolt and 2 ft. Extension
up to 11 ft.	Standard 8 ft. Cremone Bolt and 4 ft. Extension
up to 12 ft.	Standard 8 ft. Cremone Bolt and 4 ft. Extension
above 12 ft.	Not Available

HANDING OF CREMONE BOLTS



Cremona Bolts

031, 033,
034, 040, 050
060, 102, 112
150, 151, 152
190, 260, 264

003
055
056

8105



Item #	Function		
8105.xxx.R7LK(L7LK)	Standard 7" Doors	\$500	\$550
8105.xxx.R8LK(L8LK)	Standard 8" Doors	650*	N/A
8106, 8107.xxx	Ornamental & Contemporary 7" Doors (R7LK, L7LK)	600	650
8106, 8107.xxx	Ornamental & Contemporary 8" Doors (R8LK, L8LK)	850*	N/A
8105.xxx.GD	Cremona bolt rod guide	30**	N/A
8105.xxx.REPL	Bottom replacement rod for all cremona bolts	150	175
8105.xxx.7TOP	Top replacement rod for cremona bolts for 7" doors	100**	N/A
8105.xxx.8TOP	Top replacement rod for cremona bolts for 8" doors	150	N/A
8105.xxx.R510/L510	Case assembly	150	175
8106.xxx.CVR	Ornamental cover for cremona & surface bolts	40	50
8107.xxx.CVR	Contemporary cover for cremona & surface bolts		
8106.xxx.E24	24" extension rod w/ornamental cover		
8107.xxx.E24	24" extension rod w/contemporary cover	130	155
8106.xxx.E48	48" extension rodw/ornamental cover		
8107.xxx.E48	48" extension rod w/contemporary cover	200	225

NOTE: 8105.xxx.8TOP is not available in 033 & 034.

*Not available in 033, 034, 260 & 264

**Not available in 260 & 264.

8106



8105 .xxx – Standard Cremona Bolt

FEATURES: Supplied without decorative covers for guides.

NOTE: All 7" Cremona Bolts are supplied with 4 guides and 8" Cremona Bolts are supplied with 6 guides. Customer must purchase knob or lever, separately.

8106 .xxx – Ornamental Cremona Bolt

FEATURES: Similar to 8105 Cremona Bolts except that the guides are concealed with decorative covers for a more elegant appearance.

8107 .xxx – Contemporary Cremona Bolt

FEATURES: Similar to 8105 Cremona Bolts except that the guides are concealed with decorative covers for a more elegant appearance.

8106 & 8107 Covers

FEATURES: Covers available separately to facilitate stocking all designs.

PACKED: Includes fasteners.

WEIGHT: 8106: 2.7 lbs. (1.22kg)
8107: 3 lbs. (1.36kg)

Cremona bolts intended for use on INTERIOR doors only.

Cremona bolt rod cannot be distressed.

The following are recommended to match distressed finishes:

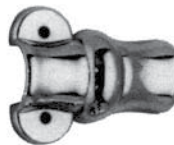
402 = 102 452 = 151
412 = 112

NOTE: Cremona bolts are sold less knob/lever. Customers select Estate Collection knob or lever of their choice. Cremona mechanism is handed. Select cremona in same hand as door.

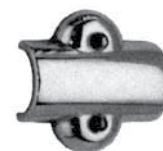
8107



8106
Ornamental



8107
Contemporary



MISCELLANEOUS TOOLS & ACCESSORIES

8472.000.001

Cylinder Plug Follower



8472.000.002

Tweezers



8472.000.003

Depth Key Set



8480.000

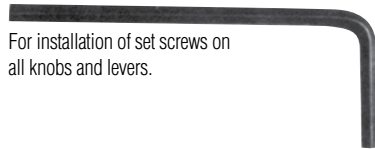
Aligning Tool



For use in proper alignment of knobs, levers, roses and escutcheon with mortise locks/tubular latches.

8481.000.001

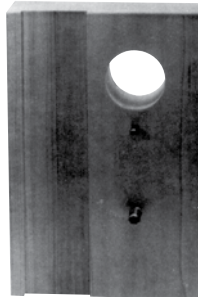
Allen Wrench



For installation of set screws on all knobs and levers.

8484.000

Lock Reversing Block



FEATURES: Provides means to align and secure mortise locks to facilitate reversing of handed internal parts.

PACKED: One in a box.

WEIGHT PER BOX: .9 lb. (.41kg)

Item #	Description	Price
6707.009	Cylinder reinforcing plug	\$7
8472.000.001	Cylinder plug follower included with keying kits	
8472.000.002	Tweezers for gripping cylinder pins included w/8472 kit	38
8472.000.003	Depth key set, furnished with 10 keys (0 thru 9 depths)	
8474.000.000	Alignment bushing (Bag of 50)	15
8480.000	Aligning tool. Used to align back plates & escutcheons w/locks	12
8481.000.001	1/8" allen wrench used to tighten set screws	5
8484.000	Lock reversing block. Simplifies changing hand of mortise locks	38

Keying Kits

Item #	Description	Finish	Price
8471.000	Small keying kit for keying (C) cylinders alike	000	\$105
8472.000	Large keying kit for all (C)keying applications inc. master keying	000	490
8320.009.101	#1 top pins (100 each per pack)		
8320.009.102	#2 top pins (100 each per pack)		
8320.009.103	#3 top pins (100 each per pack)		
8320.009.202	#2 master pins (100 each per pack)		
8320.009.203	#3 master pins (100 each per pack)		
8320.009.204	#4 master pins (100 each per pack)	009	23
8320.009.205	#5 master pins (100 each per pack)		
8320.009.206	#6 master pins (100 each per pack)		
8320.009.207	#7 master pins (100 each per pack)		
8320.009.208	#8 master pins (100 each per pack)		
8320.009.209	#9 master pins (100 each per pack)		
8320.152.300	#0 bottom pins (100 each per pack)		
8320.152.301	#1 bottom pins (100 each per pack)		
8320.152.302	#2 bottom pins (100 each per pack)		
8320.152.303	#3 bottom pins (100 each per pack)		
8320.152.304	#4 bottom pins (100 each per pack)		
8320.152.305	#5 bottom pins (100 each per pack)	152	23
8320.152.306	#6 bottom pins (100 each per pack)		
8320.152.307	#7 bottom pins (100 each per pack)		
8320.152.308	#8 bottom pins (100 each per pack)		
8320.152.309	#9 bottom pins (100 each per pack)		
8320.152.401	Hotel pin		
8300.109.005	Tumbler springs	109	
8300.009.0065	Spring covers	009	27
8300.009.0066	Spring covers	009	
8300.509.STD	Standard cams	509	7
8300.509.AR	Adams rite cams		
8300.509.004	Cam mounting screws	509	31
8313.329.TPH1	Tailpiece (regular)	329	7
8313.329.TPH2	Tailpiece (long)		
8313.509.008	Mounting plate	509	3
8313.509.009	Mounting screws		
8333.009.007	Tailpiece plate	009	5
8333.009.010	Spacer		
8472.000.001	Cylinder plug follower	000	38
8011.028.0025	Washer	028	3
8011.039.0027	Cap	039	4
8053.028.TP1	Tailpiece - double cylinder		
8053.028.TP2	Tailpiece - emergency exit		
8053.028.TP3*	Tailpiece - single cylinder for 1 3/8" door thickness	028	3
8053.028.TP4	Tailpiece - single cylinder for 1 3/4" door thickness		
8475.000.001	Cap tool	000	5
8472.000.004	Shim	000	2
8011.039.0023	Pins	039	2
8011.109.0022	Springs	109	2
8472.000.006	Key gauge	000	12
8472.000.002	Tweezers	000	37
9935.999	Stile-right template	999	30
9940.000.A	Finish demonstrator	000	35**

*NOTE: 8053.028.TP3 Tailpiece for doors 1 3/8" thick is not supplied as a standard component of the kit but can be ordered separately.

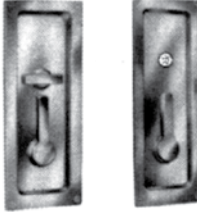
**Net Price

Sliding Door Locks

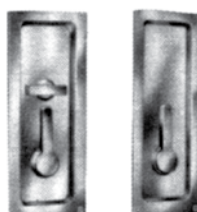
8570 & 8575
Passage



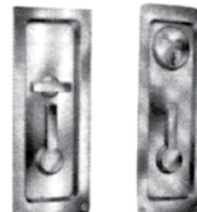
8580 & 8585
Privacy



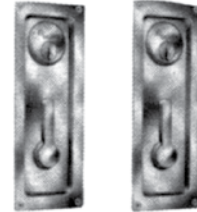
8581 & 8586
Patio



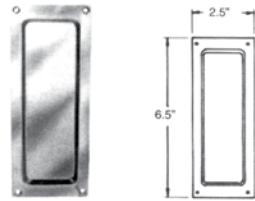
8590 & 8595
Entrance



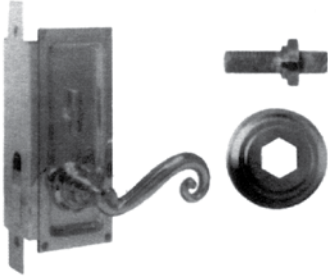
8591 & 8596
Double Cylinder



8571
Dummy



8570.xxx.ADAP
Knob/Lever Adaptor



Item #	Description	Door Thickness	Wt.	030, 031		003
				033, 034, 040	050, 060, 102	
8570.xxx	Passage	1.375"	2.3			
8575.xxx	Passage	1.75"	2.5			
8580.xxx	Privacy	1.375"	2.4	\$400		\$425
8585.xxx	Privacy	1.75"	2.5			
8581.xxx	Patio	1.375"	2.4			
8586.xxx	Patio	1.75"	2.5			
8590.xxx	Entrance	1.375"	2.9	460		485
8595.xxx	Entrance	1.75"	3.0			
8591.xxx	Double Cylinder	1.375"	3.3			
8596.xxx	Double Cylinder	1.75"	3.4			
8571.xxx	Dummy	1.375" & 1.75"	2.0	45		50
8570.xxx.ADAP	Knob/Lever Adaptor		.15	20		25

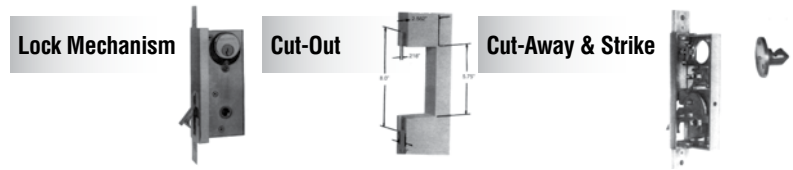
PACKED: Includes necessary fasteners
DOOR THICKNESS: Sliding Door Locks only fit 1.375" and 1.75" doors other door thickness are not available.
 Entry functions include cylinder.
 Split finishes subject to 5% list price adder.

Descriptions

- PASSAGE:** Latch bolt by lever either side.
- PRIVACY:** Latch bolt by lever either side, except when locked by turn piece inside. Furnished with Emergency Key No. 0417 for unlocking outside.
- PATIO:** Latch bolt by lever either side, except when locked by turn piece inside.
- ENTRANCE:** Latch bolt by lever either side, except when locked by cylinder outside or turn piece inside. Turn piece must be used for locking to prevent accidental lockouts.
- DOUBLE CYLINDER:** Latch bolt by lever either side, except when locked by cylinder outside or cylinder inside. Blocking rings required for proper cylinder operation on 1.375" and 1.750" thick doors.
- IMPORTANT:** For cylinder clearance, a minimum pocket width of 2.50" (54mm) is required.
- DUMMY:** Designed to be used as pulls on the inactive leaf of double sliding doors.
- PACKED:** Sold individually.
- KNOB/LEVER ADAPTOR:** Designed to be used to adapt a lever or a knob to a sliding door lock.
- PACKED:** Set contains parts to modify one side of a sliding door lock; one spindle, one rose, and installation instructions.
- NOTE:** Lever or Knob must be purchased separately. Use a solid spindle if knob or lever is installed on both sides.

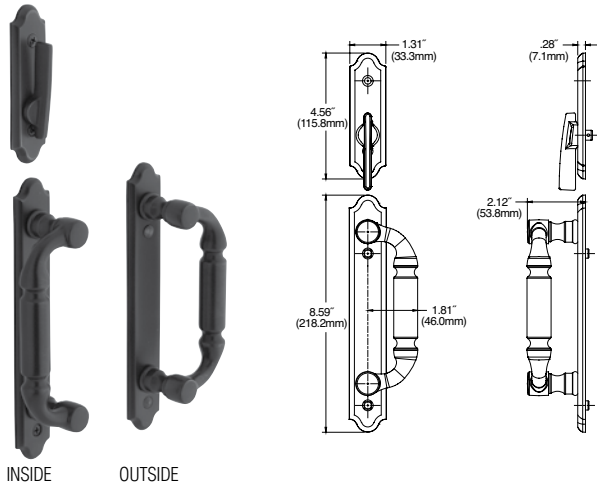
1.5" (38mm) BACKSET—SPECIFICATIONS

- FEATURES:** Sliding door locks are designed with a heavy gauge steel case for maximum strength. Component parts are made primarily of solid forged brass, accurately machined for a lifetime of smooth operation. Flush edge pull provides convenient door mobility in pocket application. Fully reversible for right and left hand doors.
- STEEL CASE:** 0.75" x 2.5" x 5.5" (19 x 64 x 140mm)
- FRONT:** 1" x 8" (25 x 203mm). Available in widths of 1.375" (35mm) or 1.75" (44mm), depending on thickness of door.
- BACKSET:** 1.5" (38mm)
- STRIKE:** .5" x 1.25" (13 x 32mm) x .937" (24mm) projection.
- CYLINDER:** Standard mortise type 03 keyway and two nickel silver keys. Locks are furnished with a 1" (25mm) length cylinder unless specified otherwise. Optional keyways available; refer to Section K.
- PREPARATION:** 2.562" (65mm) deep x 5.75" (146mm) high cut-out is required.
- NOTE:** Caution should be taken when using this unit on pairs of sliding doors where security is a concern. A keyed function must be used.



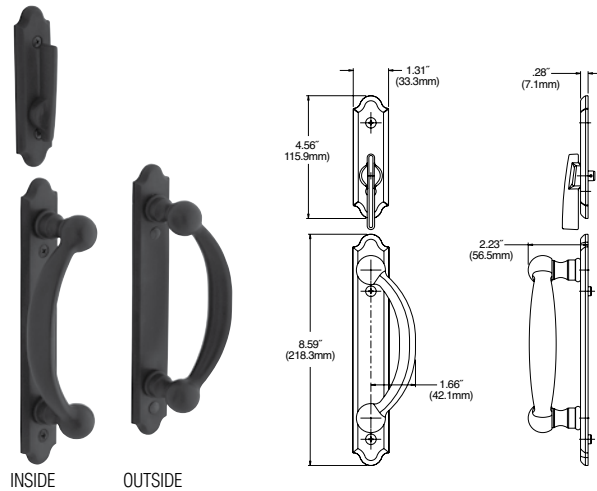
MISCELLANEOUS GARDEN DOOR TRIM

5970 Hamilton Gliding Door Trim



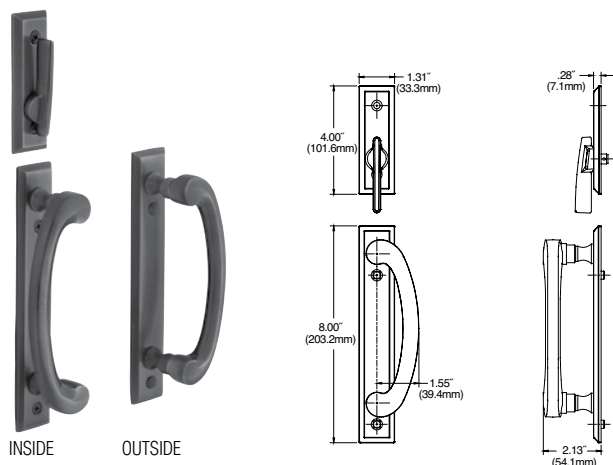
Item #	Description	030, 031	
		033, 034, 040	003, 055
5970.xxx.BPG2	Hamilton Active Gliding Door Trim	\$320	\$350
5970.xxx.FDG	Hamilton Dummy Gliding Door Trim		

5971 Boulder Gliding Door Trim



Item #	Description	030, 031	
		033, 034, 040	003, 055
5971.xxx.BPG2	Boulder Active Gliding Door Trim	\$320	\$350
5971.xxx.FDG	Boulder Dummy Gliding Door Trim		

5975 Concord Gliding Door Trim

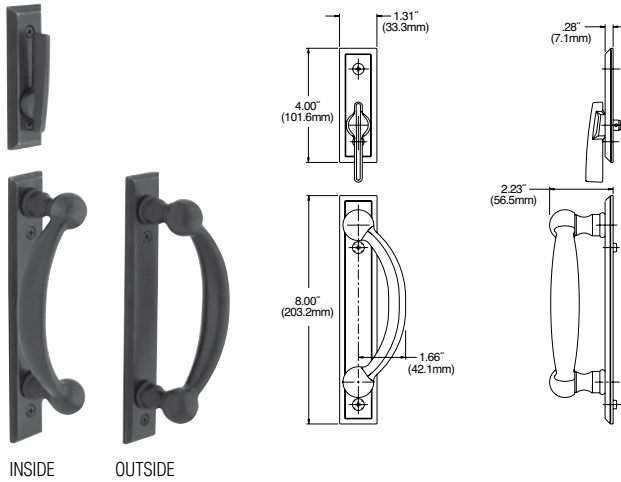


Item #	Description	030, 031	
		033, 034, 040	003, 055
5975.xxx.BPG2	Concord Active Gliding Door Trim	\$320	\$350
5975.xxx.FDG	Concord Dummy Gliding Door Trim		

NOTE: Baldwin Garden Door hardware is designed exclusively for use with Andersen® doors & is not offered in split finishes.

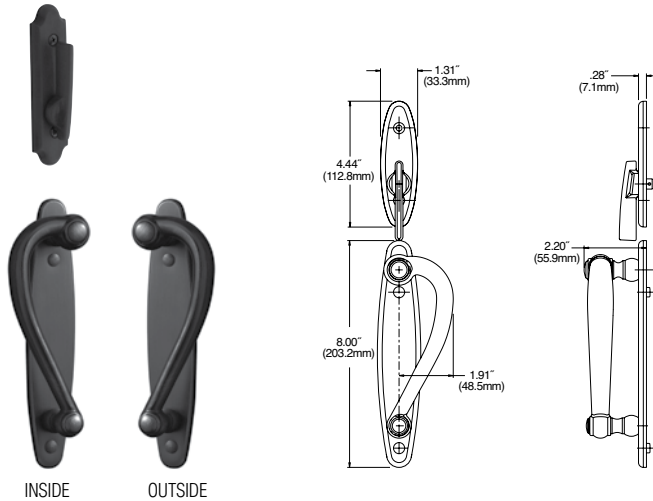
BALDWIN

5976 Cody
Gliding Door Trim



Item #	Description	030, 031	
		033, 034, 040	003, 055
5976.xxx.BPG2	Cody Active Gliding Door Trim	050, 060, 102	056, 402
5976.xxx.FDG	Cody Dummy Gliding Door Trim	112, 150, 151	056, 402
		190, 260, 264	412, 452
		\$320	\$350

5980 Springfield
Gliding Door Trim



Item #	Description	030, 031	
		033, 034, 040	003, 055
5980.xxx.BPG2	Springfield Active Gliding Door Trim	050, 060, 102	056, 402
5980.xxx.FDG	Springfield Dummy Gliding Door Trim	112, 150, 151	056, 402
		190, 260, 264	412, 452
		\$320	\$350

Exterior Locking Cylinder Housings



Item #	Description	030, 031	
		033, 034, 040	003, 055
5970.xxx.CHG	Hamilton/Boulder Exterior Cylinder Housing	050, 060, 102	056, 402
5975.xxx.CHG	Concord/Cody Exterior Cylinder Housing	112, 150, 151	056, 402
5980.xxx.CHG	Springfield Exterior Cylinder Housing	190, 260, 264	412, 452
		\$75	\$85

NOTE: Locking cylinder housings do not include cylinder and keys. Cylinder and keys from customer's existing lock must be used. If new installation, cylinder and keys must be purchased from Andersen®

MULTI-POINT HOW TO ORDER



Bristol – MP009



Richland – MP011



Lakeshore – MP013



Springfield – MP001



Bismark – MP002



Boulder – MP016



Cody – MP015



Concord – MP004



Kensington – MP003



Watch for this icon as your quick guide to coordinating Baldwin lock hardware throughout your home. Your favorite Baldwin styles are now available in Mortise for entrance needs, Tubular for entrance/interiors, AND Multi-Point for patio doors!

PROFILE CYLINDERS

RECOMMENDED FINISHES	ORIGINAL FINISHES
040	003, 030, 031, 033, 034, 060, 040, 050
112	412, 102, 190, 402, 112
264	055, 056, 150, 151, 260, 264, 452

AMERICAN CYLINDERS

RECOMMENDED FINISHES	ORIGINAL FINISHES
040	003, 030, 031, 033, 034, 040, 050, 060, 102, 112, 190, 402, 412,
264	055, 056, 150, 151, 260, 264, 452

- > FITS 92 AND 105 MM CYLINDER TO LEVER C.T.C.
- > ESTATE COLLECTION FINISH OPTIONS TO SUIT ANY HOME.
- > PROFILE OR AMERICAN CYLINDER.
- > AVAILABLE AS COMPLETE SETS, MINUS LEVER SETS, OR CHOOSE YOUR OWN LEVER STYLE TO BUILD A SET.
- > EASY INSTALLATION WITH ONE-BOX SHIPPING AND CYLINDER/HARDWARE FOR 1.75" THICK DOOR.
- > THROUGH-BOLT MOUNTING.
- > THICK DOOR KITS AVAILABLE.
- > ALL PROFILE AND AMERICAN CYLINDERS ARE FIELD KEYABLE TO BALDWIN KEYWAY.
- > 112 FINISH NOW AVAILABLE FOR ALL PROFILE CYLINDERS

STEP 1

PICK YOUR MULTI-POINT TRIM

EXAMPLE # **MP004** . xxx . xxxx

Trim Code	Description
MP001	Springfield Multi-Point Trim
MP002	Bismark Multi-Point Trim
MP003	Kensington Multi-Point Trim
MP004	Concord Multi-Point Trim
MP009	Bristol Multi-Point Trim
MP011	Richland Multi-Point Trim
MP013	Lakeshore Multi-Point Trim
MP015	Cody Multi-Point Trim
MP016	Boulder Multi-Point Trim

STEP 2

CHOOSE YOUR DOOR CONFIGURATION

EXAMPLE # MP004 . xxx . xxx**1**

Configuration #	Description	Measurement	Page
Configuration 1	Profile Cylinder Below Handle	92mm CTC, 8.5" Mounting Hole CTC	146
Configuration 2	American Cylinder Above Handle	105mm CTC, 8.5" Mounting Hole CTC	148
Configuration 3	American Cylinder Below Handle	92mm CTC, 8.375" Mounting Hole CTC	150
Configuration 4	Profile Cylinder Below Handle	92mm CTC, 7.875" Mounting Hole CTC	152
Configuration 5	American Cylinder Above or Below Handle	92mm CTC, 7.5625" Mounting Hole CTC	154
Configuration 6	American Cylinder Above Handle	92mm CTC, 7.25" Mounting Hole CTC	156

STEP 3

CHOOSE YOUR FUNCTION

EXAMPLE # MP004 . xxx . **ACT**

Function Code	Description
ACT	Entry, keyed w/ turnknob (supplied w/ cylinder for 1 3/4" door thickness)
FDP	Passage, active, no cylinder or turnknob
AIN	Inactive outside and active inside- non-keyed
FD	Inactive, non-keyed
PAT	Patio, non-keyed

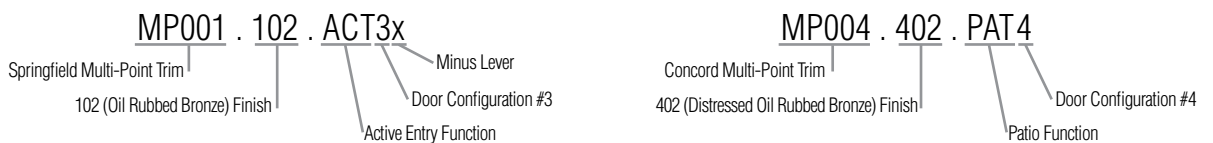
STEP 4

SPECIFY MINUS LEVER OPTION, IF DESIRED:

EXAMPLE # MP004 . xxx . ACT**x**

Add "x" to suffix for minus lever option.
Otherwise trim ships with stock lever choice as shown.

Examples:



STEP 5

IF A LEVER OTHER THAN THE STANDARD IS DESIRED

Order a trim without levers and order levers separately.

STEP 6

IF SPLIT FINISH

Order escutcheons, levers, and corresponding thick door kits separately.

MULTI-POINT HOW TO ORDER - STEP 1

STEP 1

PICK YOUR MULTI-POINT TRIM

EXAMPLE # **MP004** . XXX . XXXX

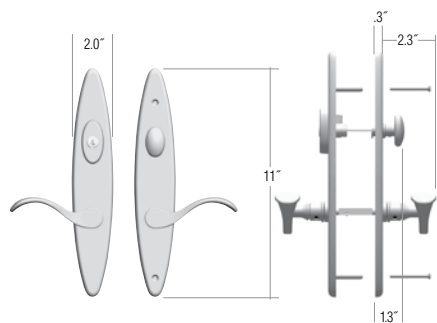
MULTI-POINT TIER 1

Springfield – MP001 5455 lever included

Profile Cylinder
Below Handle



American Cylinder
Above & Below

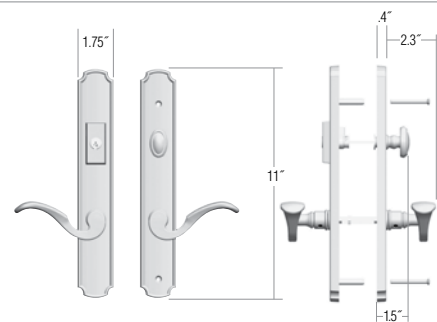


Bismark – MP002 5152 lever included

Profile Cylinder
Below Handle



American Cylinder
Above & Below

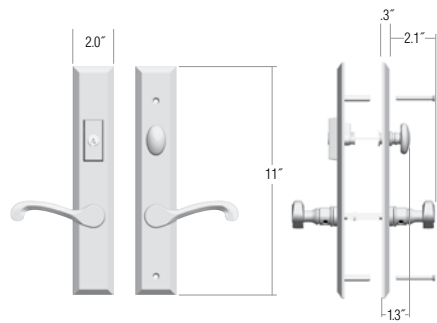


Concord – MP004 5445 lever included

Profile Cylinder
Below Handle



American Cylinder
Above & Below

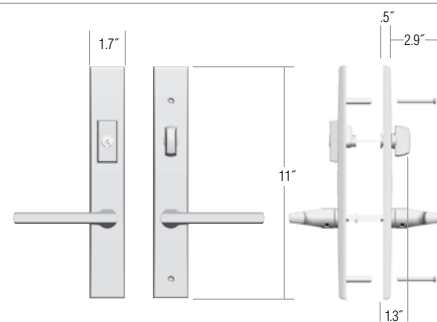


Lakeshore – MP013 5162 lever included

Profile Cylinder
Below Handle



American Cylinder
Above & Below

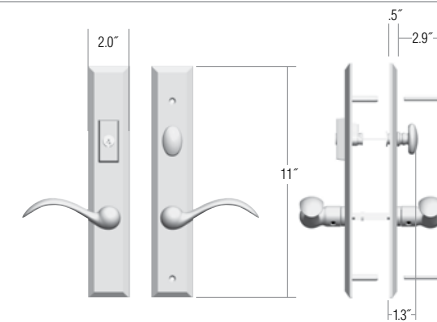


Cody – MP015 5452 lever included


Profile Cylinder
Below Handle




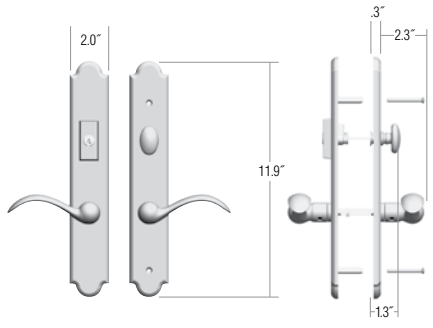
American Cylinder
Above & Below



MP016 – Boulder
5452 lever included


Profile Cylinder Below Handle 


American Cylinder Above & Below 

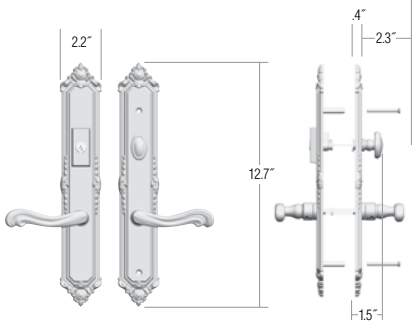


MULTI-POINT
TIER 2

Kensington – MP003
5108 lever included


Profile Cylinder Below Handle 

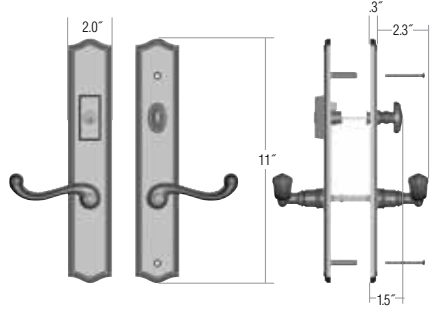
American Cylinder Above & Below 



Bristol – MP009
5104 lever included

Profile Cylinder Below Handle 

American Cylinder Above & Below 



Richland – MP011
5190 lever included

Profile Cylinder Below Handle 

American Cylinder Above & Below 



STEP 3 (CONT)

THICK DOOR KIT — CONFIGURATION #1

EXAMPLE # **MP000 . XXX . ACTD**

Thick Door Kits
Tier 1 & Tier 2

	Included w/standard sets							List Price
ACT1	1 ¾"	2"	2 ¼"	2 ¾"	2 ½"	2 ¾"		
All others	MP000.xxx.ACTD	MP000.xxx.ACTD	MP000.xxx.ACTE	MP000.xxx.ACTF	MP000.xxx.ACTG	MP000.xxx.ACTG		\$120
Bismark, Kensington, Lakeshore	MP000.xxx.ACTD	MP000.xxx.ACTE	MP000.xxx.ACTE	MP000.xxx.ACTF	MP000.xxx.ACTG	MP000.xxx.ACTI		\$120
PAT1	1 ¾"	2"	2 ¼"	2 ¾"	2 ½"	2 ¾"		
All others	MP000.xxx.PATJ	MP000.xxx.PATJ	MP000.xxx.PATK	MP000.xxx.PATL	MP000.xxx.PATM	MP000.xxx.PATM		\$25
Bismark, Kensington, Lakeshore	MP000.xxx.PATJ	MP000.xxx.PATK	MP000.xxx.PATK	MP000.xxx.PATL	MP000.xxx.PATM	MP000.xxx.PATO		\$25
AIN Sets	1 ¾" – 2 ¼"			2 ¾" – 2 ¾"				
	MP000.000.AINS	—	—	MP000.000.AINT	—	—		\$25
FD Sets	1 ¾" – 2 ¼"			2 ¾" – 2 ¾"				
	MP000.000.FDPTP	—	—	MP000.000.FDPTQ	—	—		\$25
FDP Sets	1 ¾" – 2 ¼"			2 ¾" – 2 ¾"				
	MP000.000.FDPTP	—	—	MP000.000.FDPTQ	—	—		\$25

- > Baldwin Multi-Point Active & Patio trims assume 1.75" door thickness.
- For thicker doors, please order a Thick Door kit according to the chart below. Specify cylinder finish where noted.
- > Available cylinder finishes include ONLY 264 (Satin Chrome), 040 (Satin Brass) and 112 (Venetian Bronze).
- > See finish chart on page 176 for cylinder finish recommendations.

ACT kits include: 8mm to 7.3mm Conversion Spindle, Keyed Cylinder, and Cylinder Installation Hardware
 PAT kits include: 8mm to 7.3mm Conversion Spindle, Patio Cylinder, and Cylinder Installation Hardware
 AIN kits include: Half spindle, and Spindle Installation Hardware
 FDPTP kits include: 8mm to 7.3mm Conversion Spindle

MULTI-POINT HOW TO ORDER, CONFIGURATION 2

STEP 1

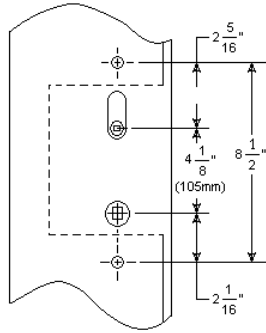
PICK YOUR MULTI-POINT TRIM

EXAMPLE # **MP004** . xxx . xxxX

STEP 2

CHOOSE YOUR DOOR CONFIGURATION

EXAMPLE # MP004 . xxx . xxx**2**

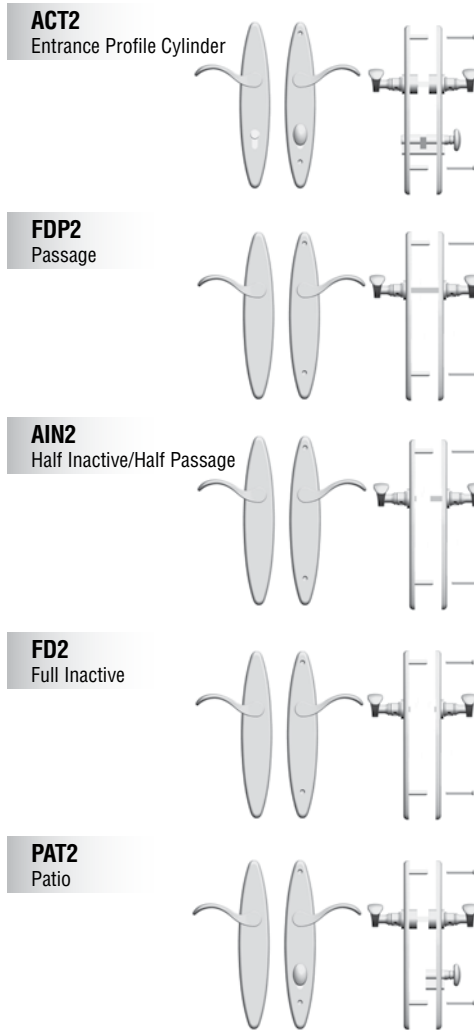


Configuration #	Description
Configuration 2	American Cylinder Above Handle — 4 1/8" (105 mm) center to center 8 1/2" center to center mounting hole location

STEP 3

CHOOSE YOUR FUNCTION — CONFIGURATION #2

EXAMPLE # MP004 . xxx . **ACT2**



Item #	Description	Without Levers			
		030, 031	033, 034, 040	050, 060, 102	003, 055
Bismark, Boulder, Cody, Concord, Lakeshore, Springfield					
Tier 1					
ACT2	Entrance - Keyed W/ Turnknob	\$575	\$650	\$430	\$485
FWHAP	Double Door Entry - 1 Keyed, 1 Inactive	1025	1100	880	935
Passage Multi-point					
FDP2	Passage - Active No Cylinder Or Turnknob				
Half Inactive / Half Passage Multi-point					
AIN2	Inactive Outside And Active Inside - Non-keyed	450	525	305	360
Full Inactive Multi-point					
FD2	Inactive - Non-keyed				
Patio Multi-point					
PAT2	Patio - Non-keyed				
Multi-point, Escutcheons ONLY					
KN12	KN, Cut for Knob Inside				
KN1R2	KN, Cut for Knob Inside - Rigid Lever	\$190	\$220	—	—
KN02	KN, Cut for Knob Outside				
KN0R2	KN, Cut for Knob Outside - Rigid Lever				
KCA2	KC, Cut for Cylinder Outside - Ande C2	220	250	—	—
KTA2	KT, Cut for Turnpiece Inside - Ande C2	210	240		

Item #	Description	Without Levers			
		030, 031	033, 034, 040	050, 060, 102	003, 055
Kensington, Bristol, Richland					
Tier 2					
ACT2	Entrance - Keyed W/ Turnknob	\$625	\$700	\$480	\$535
Passage Multi-point					
FDP2	Passage - Active No Cylinder Or Turnknob				
Half Inactive / Half Passage Multi-point					
AIN2	Inactive Outside And Active Inside - Non-keyed	500	575	355	410
Full Inactive Multi-point					
FD2	Inactive - Non-keyed				
Patio Multi-point					
PAT2	Patio - Non-keyed				
Multi-point, Escutcheons ONLY					
KN12	KN, Cut for Knob Inside				
KN1R2	KN, Cut for Knob Inside - Rigid Lever	\$210	240		
KN02	KN, Cut for Knob Outside				
KN0R2	KN, Cut for Knob Outside - Rigid Lever				
KCA2	KC, Cut for Cylinder Outside - Ande C2	240	270		
KTA2	KT, Cut for Turnpiece Inside - Ande C2	230	260		

STEP 3 (CONT)

THICK DOOR KIT — CONFIGURATION #2

EXAMPLE # **MP000 . XXX . ACTR**

Thick Door Kits
Tier 1 & Tier 2

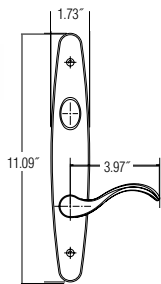
	Included w/standard sets	List Price
ACT2*	1 ¾" MP000.xxx.ACTR*	— \$115
AIN Sets	1.75" MP000.000.AINS	— \$25
AIN Sets	2" to 2 ¼" MP000.000.AINS	2 ¾" to 3" MP000.000.AINT \$25
FD Sets	1 ¾" to 2 ¼" MP000.000.FDPTP	2 ¾" to 2 ¾" MP000.000.FDPTQ \$25
FDP Sets	1 ¾" to 2 ¼" MP000.000.FDPTP	2 ¾" to 2 ¾" MP000.000.FDPTQ \$25

> Specify cylinder finish where noted.
> *ACT2 - Finish matches trim exactly (any of the 21 Baldwin finishes)

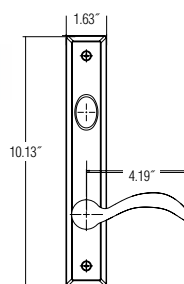
ACT kits include: 8mm to 7.3mm Conversion Spindle, Keyed Cylinder, and Cylinder Installation Hardware
AIN kits include: Half spindle, and Spindle Installation Hardware
FDPTP kits include: 8mm to 7.3mm Conversion Spindle

105 MM Double Door
Boulder, Cody, Concord, Springfield

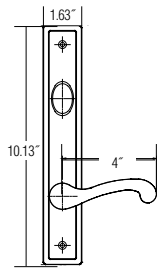
Springfield
MP001



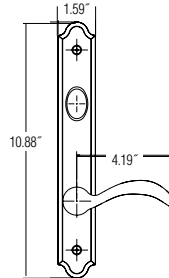
Cody
MP015



Concord
MP004



Boulder
MP016



Item #	Description	030, 031 033, 034, 040 050, 060, 102 112, 150, 151 190, 260, 264	003, 055 056, 402 412, 452
FWHAP	Active & Inactive Set	\$1025	1175
FWHAX	Active & Inactive Set w/o Levers	735	845

NOTE:
> Boulder, Cody, Concord, Springfield Double Door Applications Only — Due to the special fit requirements of applying these four 105mm CTC styles in a double door application, the modified dimensions shown below apply to these four styles for double door applications only. Please specify function 'FWHAP' or 'FWHAX' to order. Pricing is as shown.
> Due to the width of the escutcheon plates, Bristol, Richland and Kensington are not recommended on double door applications for 105mm CTC configurations.
> The standard Bismark and Lakeshore plates can be used on double door applications for 105mm CTC configurations.

STEP 3 (CONT)

THICK DOOR KIT — CONFIGURATION #3

EXAMPLE # **MP000 . XXX . ACTA**

Thick Door Kits
Tier 1 & Tier 2

	Included w/standard sets			
ACT3	1 3/4" to 2 1/4"	2 3/8" to 2 1/2"	2 3/4"	List Price
	MP000.xxx.ACTA	MP000.xxx.ACTB	MP000.xxx.ACTC	\$115
PAT3	1 3/4" to 2 1/4"	2 3/8" to 2 3/4"		
	MP000.000.FDPTP	MP000.000.FDPTQ	—	\$25
AIN Sets	1 3/4" to 2 1/4"	2 3/8" to 2 3/4"		
	MP000.000.AINS	MP000.000.AINT	—	\$25
FD Sets	1 3/4" to 2 1/4"	2 3/8" to 2 3/4"		
	MP000.000.FDPTP	MP000.000.FDPTQ	—	\$25
FDP Sets	1 3/4" to 2 1/4"	2 3/8" to 2 3/4"		
	MP000.000.FDPTP	MP000.000.FDPTQ	—	\$25

- > Config #3 Multi-Point come standard for 1 3/4" to 2 1/4" door thickness. For thicker doors, please order a Thick Door kit according to the chart above.
- > Specify cylinder finish where noted. Available cylinder finishes include 264 (Satin Chrome) and 040 (Satin Brass) ONLY.
- > See finish chart on page 176 for cylinder finish recommendations.

ACT kits include: 8mm to 7.3mm Conversion Spindle, Keyed Cylinder, and Cylinder Installation Hardware
 PAT kits include: 8mm to 7.3mm Conversion Spindle
 AIN kits include: Half spindle, and Spindle Installation Hardware
 FDPTP kits include: 8mm to 7.3mm Conversion Spindle

STEP 3 (CONT)

THICK DOOR KIT — CONFIGURATION #4

EXAMPLE # **MP000 . XXX . ACTD**

Thick Door Kits
Tier 1 & Tier 2

	Included w/standard sets						List Price
ACT4	1 3/4"	2"	2 1/4"	2 3/4"	2 1/2"	2 3/4"	
All others	MP000.xxx.ACTD	MP000.xxx.ACTD	MP000.xxx.ACTE	MP000.xxx.ACTF	MP000.xxx.ACTG	MP000.xxx.ACTG	\$120
Bismark, Kensington, Lakeshore	MP000.xxx.ACTD	MP000.xxx.ACTE	MP000.xxx.ACTE	MP000.xxx.ACTF	MP000.xxx.ACTG	MP000.xxx.ACTI	\$120
PAT4	1 3/4"	2"	2 1/4"	2 3/4"	2 1/2"	2 3/4"	
All others	MP000.xxx.PATJ	MP000.xxx.PATJ	MP000.xxx.PATK	MP000.xxx.PATL	MP000.xxx.PATM	MP000.xxx.PATM	\$120
Bismark, Kensington, Lakeshore	MP000.xxx.PATJ	MP000.xxx.PATK	MP000.xxx.PATK	MP000.xxx.PATL	MP000.xxx.PATM	MP000.xxx.PATO	\$120
AIN Sets	1 3/4" to 2 1/4"			2 3/4" to 2 3/4"			
	MP000.000.AINS	—	—	MP000.000.AINT	—	—	\$25
FD Sets	1 3/4" to 2 1/4"			2 3/4" to 2 3/4"			
	MP000.000.FDPTP	—	—	MP000.000.FDPTQ	—	—	\$25
FDP Sets	1 3/4" to 2 1/4"			2 3/4" to 2 3/4"			
	MP000.000.FDPTP	—	—	MP000.000.FDPTQ	—	—	\$25

- > Config #4 Multi-Point Active and Patio trims assume 1.75" door thickness. For thicker doors, please order a Thick Door kit according to the chart above. Specify cylinder finish where noted.
- > Available cylinder finishes include ONLY 264 (Satin Chrome), 040 (Satin Brass) and 112 (Venetian Bronze).
- > See finish chart on page 176 for cylinder finish recommendations.

ACT kits include: 8mm to 7.3mm Conversion Spindle, Keyed Cylinder, and Cylinder Installation Hardware
 PAT kits include: 8mm to 7.3mm Conversion Spindle, Patio Cylinder and Cylinder Installation Hardware
 AIN kits include: Half spindle, and Spindle Installation Hardware
 FDPTP kits include: 8mm to 7.3mm Conversion Spindle

MULTI-POINT HOW TO ORDER, CONFIGURATION 5

STEP 1

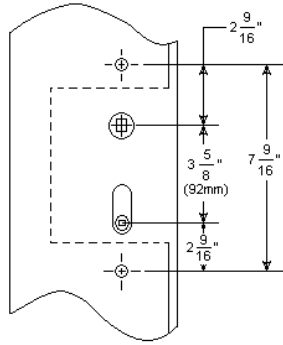
PICK YOUR MULTI-POINT TRIM

EXAMPLE # **MP004** . xxx . xxxX

STEP 2

CHOOSE YOUR DOOR CONFIGURATION

EXAMPLE # MP004 . xxx . xxx**5**

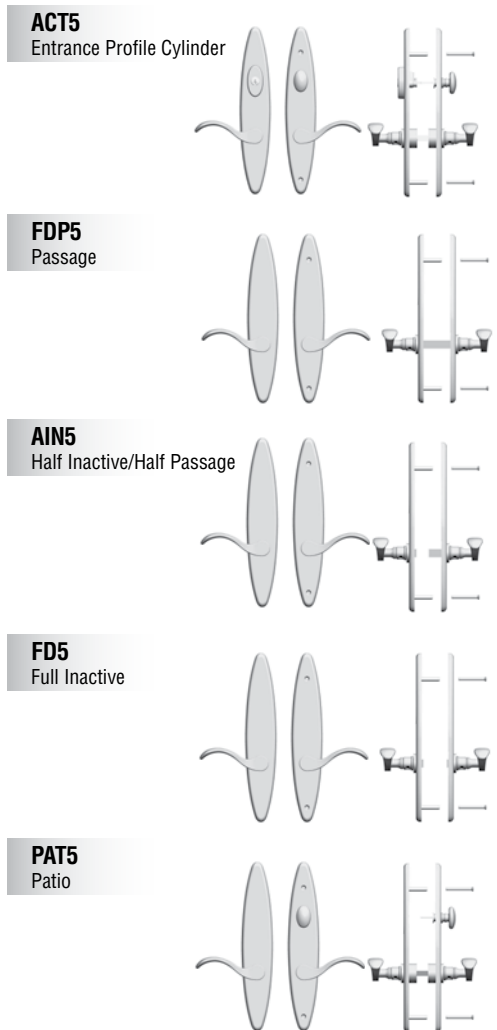


Configuration #	Description
Configuration 5	American Cylinder Above or Below Handle — 3 5/8" (92 mm) center to center 7 9/16" center to center mounting hole location

STEP 3

CHOOSE YOUR FUNCTION — CONFIGURATION #5

EXAMPLE # MP004 . xxx . **ACT5**



Bismark, Boulder, Cody, Concord, Lakeshore, Springfield			
Tier 1		Without Levers	
Item #	Description	030, 031 033, 034, 040 050, 060, 102 112, 150, 151 190, 260, 264	003, 055 056, 402 412, 452
Entrance American Cylinder Multi-point			
ACT5	Entry - Keyed W/ Turnknob	\$575	650
Passage Multi-point			
FDP5	Passage - Active No Cylinder Or Turnknob		
Half Inactive / Half Passage Multi-point			
AIN5	Inactive Outside And Active Inside - Non-keyed	450	525
Full Inactive Multi-point			
FD5	Inactive - Non-keyed		
Patio Multi-point			
PAT5	Patio - Non-keyed		
Multi-point, Escutcheons ONLY			
KN15	KN, Cut for Knob Inside		
KN1R5	KN, Cut for Knob Inside - Rigid Lever		
KN05	KN, Cut for Knob Outside	\$190	220
KN0R5	KN, Cut for Knob Outside - Rigid Lever		
KC5	KC, Cut for Cylinder Outside - American C5	220	250
KT5	KT, Cut for Turnpiece Inside - American C5		
PKT5	Patio KT, Cut for Turnpiece Inside - C5	210	240

Kensington, Bristol, Richland			
Tier 2		Without Levers	
Item #	Description	030, 031 033, 034, 040 050, 060, 102 112, 150, 151 190, 260, 264	003, 055 056, 402 412, 452
Entrance American Cylinder Multi-point			
ACT5	Entry - Keyed W/ Turnknob	\$625	700
Passage Multi-point			
FDP5	Passage - Active No Cylinder Or Turnknob		
Half Inactive / Half Passage Multi-point			
AIN5	Inactive Outside And Active Inside - Non-keyed	500	575
Full Inactive Multi-point			
FD5	Inactive - Non-keyed		
Patio Multi-point			
PAT5	Patio - Non-keyed		
Multi-point, Escutcheons ONLY			
KN15	KN, Cut for Knob Inside		
KN1R5	KN, Cut for Knob Inside - Rigid Lever		
KN05	KN, Cut for Knob Outside	\$210	240
KN0R5	KN, Cut for Knob Outside - Rigid Lever		
KC5	KC, Cut for Cylinder Outside - American C5	240	270
KT5	KT, Cut for Turnpiece Inside - American C5		
PKT5	Patio KT, Cut for Turnpiece Inside - C5	230	260

NOTE: #5 cylinder to spindle orientation is reversible, works for both above and below handle mounting.

STEP 3 (CONT)

THICK DOOR KIT — CONFIGURATION #5

EXAMPLE # **MP000 . XXX . ACTA**

Thick Door Kits
Tier 1 & Tier 2

	Included w/standard sets			
ACT5	1 3/4" to 2 1/4"	2 3/8" to 2 1/2"	2 3/4"	List Price
	MP000.xxx.ACTA	MP000.xxx.ACTB	MP000.xxx.ACTC	\$115
PAT5	1 3/4" to 2 1/4"	2 3/8" to 2 3/4"		
	MP000.000.FDPTP	MP000.000.FDPTQ	—	\$25
AIN Sets	1 3/4" to 2 1/4"	2 3/8" to 2 3/4"		
	MP000.000.AINS	MP000.000.AINT	—	\$25
FD Sets	1 3/4" to 2 1/4"	2 3/8" to 2 3/4"		
	MP000.000.FDPTP	MP000.000.FDPTQ	—	\$25
FDP Sets	1 3/4" to 2 1/4"	2 3/8" to 2 3/4"		
	MP000.000.FDPTP	MP000.000.FDPTQ	—	\$25

- > Config #5 Multi-Point trims come standard for 1 3/4" to 2 1/4" door thickness. For thicker doors, please order a Thick Door kit according to the chart above. Specify cylinder finish where noted.
- > Available cylinder finishes include 264 (Satin Chrome) and 040 (Satin Brass) ONLY.
- > See finish chart on page 176 for cylinder finish recommendations.

- ACT kits include: 8mm to 7.3mm Conversion Spindle, Keyed Cylinder, and Cylinder Installation Hardware
- PAT kits include: 8mm to 7.3mm Conversion Spindle
- AIN kits include: Half spindle, and Spindle Installation Hardware
- FDPTP kits include: 8mm to 7.3mm Conversion Spindle

STEP 3 (CONT)

THICK DOOR KIT — CONFIGURATION #6

EXAMPLE # **MP000 . XXX . ACTA**

Thick Door Kits
Tier 1 & Tier 2

	Included w/standard sets			
ACT5	1 3/4" to 2 1/4"	2 3/8" to 2 1/2"	2 3/4"	List Price
	MP000.xxx.ACTA	MP000.xxx.ACTB	MP000.xxx.ACTC	\$120
PAT5	1 3/4" to 2 1/4"	2 3/8" to 2 3/4"		
	MP000.000.FDPTP	MP000.000.FDPTQ	—	\$25
AIN Sets	1 3/4" to 2 1/4"	2 3/8" to 2 3/4"		
	MP000.000.AINS	MP000.000.AINT	—	\$25
FD Sets	1 3/4" to 2 1/4"	2 3/8" to 2 3/4"		
	MP000.000.FDPTP	MP000.000.FDPTQ	—	\$25
FDP Sets	1 3/4" to 2 1/4"	2 3/8" to 2 3/4"		
	MP000.000.FDPTP	MP000.000.FDPTQ	—	\$25

> Config #6 Multi-Point trims come standard for 1 3/4" to 2 1/4" door thickness. For thicker doors, please order a Thick Door kit according to the chart above. Specify cylinder finish where noted.
> Available cylinder finishes include 264 (Satin Chrome) and 040 (Satin Brass) ONLY.
> See finish chart on page 176 for cylinder finish recommendations.

ACT kits include: 8mm to 7.3mm Conversion Spindle, Keyed Cylinder, and Cylinder Installation Hardware
 PAT kits include: 8mm to 7.3mm Conversion Spindle
 AIN kits include: Half spindle, and Spindle Installation Hardware
 FDPTP kits include: 8mm to 7.3mm Conversion Spindle

EUROPEAN MORTISE HOW TO ORDER, EUROPEAN MORTISE

STEP 1

PICK YOUR MORTISE TRIM

EXAMPLE # **MP004** . xxx . xxxx

Trim Code	Description
MP001	Springfield European Mortise Trim
MP002	Bismark European Mortise Trim
MP003	Kensington European Mortise Trim
MP004	Concord European Mortise Trim
MP009	Bristol European Mortise Trim
MP011	Richland European Mortise Trim
MP013	Lakeshore European Mortise Trim
MP015	Cody European Mortise Trim
MP016	Boulder European Mortise Trim

STEP 2

CHOOSE YOUR DOOR CONFIGURATION

EXAMPLE # MP004 . xxx . xxx**7**

Configuration #	Description	Measurement	Page
Configuration 7	European Mortise	72mm CTC,	
Configuration 8	European Mortise	85mm CTC,	

STEP 3

CHOOSE YOUR FUNCTION

EXAMPLE # MP004 . xxx . **ACT**

Function Code	Description
ACT	Entry, keyed w/ turnknob (supplied w/ cylinder for 1 3/4" door thickness)
FDP	Passage, active, no cylinder or turnknob
AIN	Inactive outside and active inside- non-keyed
FD	Inactive, non-keyed
PAT	Patio, non-keyed

STEP 4

SPECIFY MINUS LEVER OPTION, IF DESIRED:

EXAMPLE # MP004 . xxx . ACT**x**

Add "x" to suffix for minus lever option.
Otherwise trim ships with stock lever choice as shown.

Examples:

MP001 . 102 . ACT7x

Springfield European Mortise Trim
102 (Oil Rubbed Bronze) Finish

Active Entry Function

Door Configuration #7

Minus Lever

MP004 . 402 . PAT8

Concord European Mortise Trim
402 (Distressed Oil Rubbed Bronze) Finish

Patio Function

Door Configuration #8

STEP 5

IF A LEVER OTHER THAN THE STANDARD IS DESIRED

Order a trim without levers and order levers separately.

STEP 6

IF SPLIT FINISH, ORDER COMPONENTS SEPARATELY

Escutcheon, lever, kit will be priced separately

RECOMMENDED CYLINDER FINISHES

RECOMMENDED FINISHES	ORIGINAL FINISHES
040	003, 030, 031, 033, 034, 060, 040, 050
112	412, 102, 190, 402, 112
264	055, 056, 150, 151, 260, 264, 452

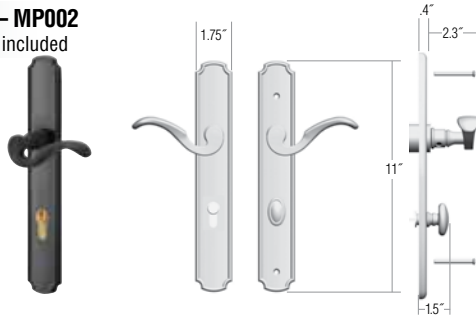
STEP 1

PICK YOUR MORTISE TRIM

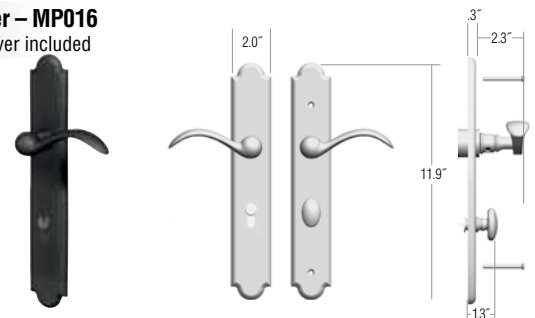
EXAMPLE # **MP004** . XXX . XXXX

Mortise – Tier 1

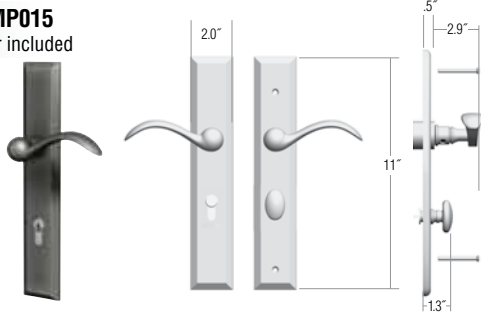
Bismark – MP002
5152 lever included



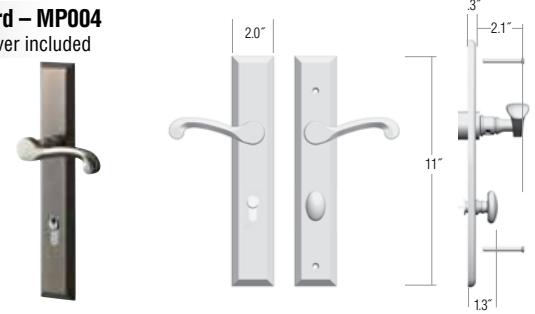
Boulder – MP016
5452 lever included



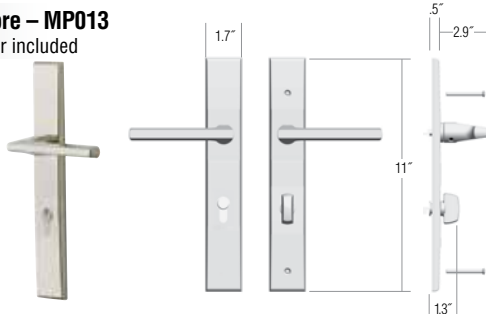
Cody – MP015
5452 lever included



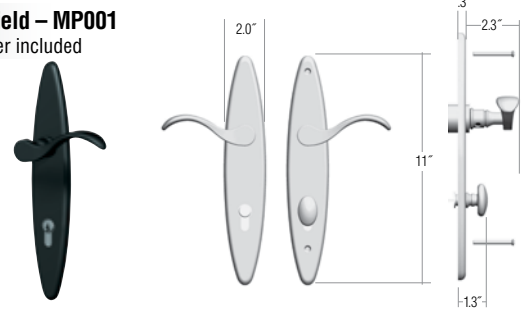
Concord – MP004
5445 lever included



Lakeshore – MP013
5162 lever included

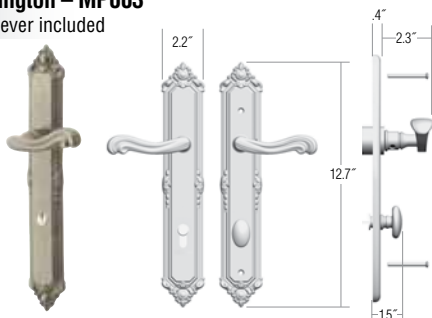


Springfield – MP001
5455 lever included

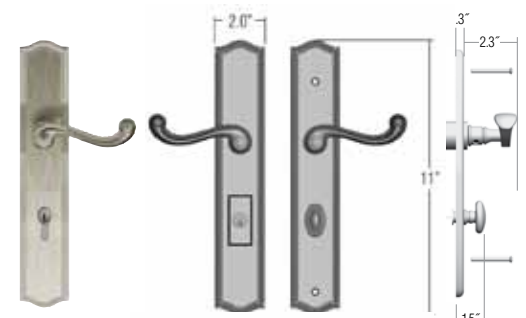


Mortise – Tier 2

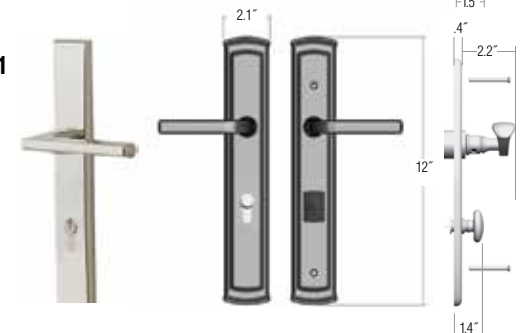
Kensington – MP003
5108 lever included



Bristol – MP009
5104 lever included



Richland – MP011
5190 lever included



EUROPEAN MORTISE HOW TO ORDER, CONFIGURATION 7

STEP 1

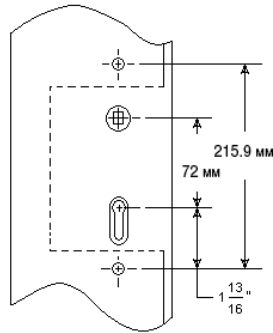
PICK YOUR MORTISE TRIM

EXAMPLE # **MP004** . xxx . xxxx

STEP 2

CHOOSE YOUR DOOR CONFIGURATION

EXAMPLE # MP004 . xxx . xxx**7**



Configuration # **Description**

Configuration 7 **European Mortise Cylinder — 72mm center to center
215.9 mm center to center mounting hole location**

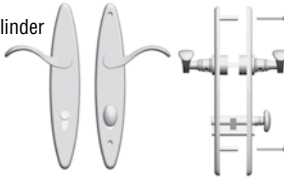
STEP 3

CHOOSE YOUR FUNCTION — CONFIGURATION #7

EXAMPLE # MP004 . xxx . **ACT7**

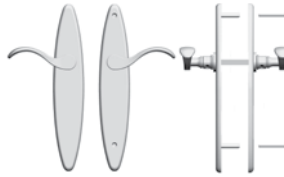
ACT7

Entrance Mortise Cylinder



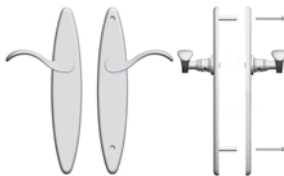
FDP7

Passage



FD7

Full Inactive



PAT7

Patio



Bismark, Boulder, Cody, Concord, Lakeshore, Springfield

Tier 1

Without Levers

Item #	Description	030, 031		030, 031	
		033, 034, 040	003, 055	033, 034, 040	003, 055
		050, 060, 102	056, 402	050, 060, 102	056, 402
		112, 150, 151	412, 452	112, 150, 151	412, 452
		190, 260, 264		190, 260, 264	
ACT7	Entrance Mortise Cylinder European Mortise Entry - Keyed W/ Turnknob	\$550	\$625	\$405	\$460
Passage European Mortise					
FDP7	Passage - Active No Cylinder Or Turnknob				
Full Inactive European Mortise					
FD7	Inactive - Non-keyed	450	525	305	360
Patio European Mortise					
PAT7	Patio - Non-keyed				
Escutcheons ONLY					
KN17	KN, Cut for Knob Inside				
KN1R7	KN, Cut for Knob Inside - Rigid Lever				
KN07	KN, Cut for Knob Outside	\$190	\$220		
KN0R7	KN, Cut for Knob Outside - Rigid Lever				
KC7	KC, Cut for Cylinder Outside - Pro C1				
KCT7	KC, Cut for Cylinder Inside - Pro C1	210	240		

Kensington, Bristol, Richland

Tier 2

Without Levers

Item #	Description	030, 031		030, 031	
		033, 034, 040	003, 055	033, 034, 040	003, 055
		050, 060, 102	056, 402	050, 060, 102	056, 402
		112, 150, 151	412, 452	112, 150, 151	412, 452
		190, 260, 264		190, 260, 264	
ACT7	Entrance Mortise Cylinder European Mortise Entry - Keyed W/ Turnknob	\$600	\$675	\$455	\$510
Passage European Mortise					
FDP7	Passage - Active No Cylinder Or Turnknob				
Full Inactive European Mortise					
FD7	Inactive - Non-keyed	500	575	355	410
Patio European Mortise					
PAT7	Patio - Non-keyed				
Escutcheons ONLY					
KN17	KN, Cut for Knob Inside				
KN1R7	KN, Cut for Knob Inside - Rigid Lever				
KN07	KN, Cut for Knob Outside	\$210	\$240		
KN0R7	KN, Cut for Knob Outside - Rigid Lever				
KC7	KC, Cut for Cylinder Outside - Pro C1				
KCT7	KC, Cut for Cylinder Inside - Pro C1	230	260		

STEP 3 (CONT)

THICK DOOR KIT — CONFIGURATION #7

EXAMPLE # **MP000 . XXX . ACTD**

Thick Door Kits
Tier 1 & Tier 2

	Included w/standard sets							List Price
ACT1	1 ¾"	2"	2 ¼"	2 ⅝"	2 ½"	2 ¾"		
All others	MP000.xxx.ACTD	MP000.xxx.ACTD	MP000.xxx.ACTE	MP000.xxx.ACTF	MP000.xxx.ACTG	MP000.xxx.ACTG		\$120
Bismark, Kensington, Lakeshore	MP000.xxx.ACTD	MP000.xxx.ACTE	MP000.xxx.ACTE	MP000.xxx.ACTF	MP000.xxx.ACTG	MP000.xxx.ACTI		\$120
PAT1	1 ¾"	2"	2 ¼"	2 ⅝"	2 ½"	2 ¾"		
All others	MP000.xxx.PATJ	MP000.xxx.PATJ	MP000.xxx.PATK	MP000.xxx.PATL	MP000.xxx.PATM	MP000.xxx.PATM		\$120
Bismark, Kensington, Lakeshore	MP000.xxx.PATJ	MP000.xxx.PATK	MP000.xxx.PATK	MP000.xxx.PATL	MP000.xxx.PATM	MP000.xxx.PATO		\$120
FD Sets	1 ¾" to 2 ¼"			2 ⅝" to 2 ¾"				
	MP000.000.FDPTP	—	—	MP000.000.FDPTQ	—	—		\$25
FDP Sets	1 ¾" to 2 ¼"			2 ⅝" to 2 ¾"				
	MP000.000.FDPTP	—	—	MP000.000.FDPTQ	—	—		\$25

- > Baldwin European Mortise trims assume 1.75" door thickness.
- > For thicker doors, please order a Thick Door kit according to the chart below.
Specify cylinder finish where noted.
- > Available cylinder finishes include ONLY 264 (Satin Chrome), 040 (Satin Brass) and 112 (Venetian Bronze).
- > See finish chart on page 156 for cylinder finish recommendations.

ACT kits include: 8mm to 7.3mm Conversion Spindle, Keyed Cylinder, and Cylinder Installation Hardware
 PAT kits include: 8mm to 7.3mm Conversion Spindle, Patio Cylinder, and Cylinder Installation Hardware
 FDPTP kits include: 8mm to 7.3mm Conversion Spindle

EUROPEAN MORTISE HOW TO ORDER, CONFIGURATION 8

STEP 1

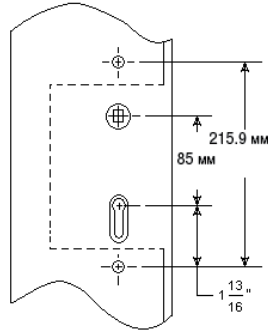
PICK YOUR MORTISE TRIM

EXAMPLE # **MP004** . xxx . xxxX

STEP 2

CHOOSE YOUR DOOR CONFIGURATION

EXAMPLE # MP004 . xxx . xxx**8**

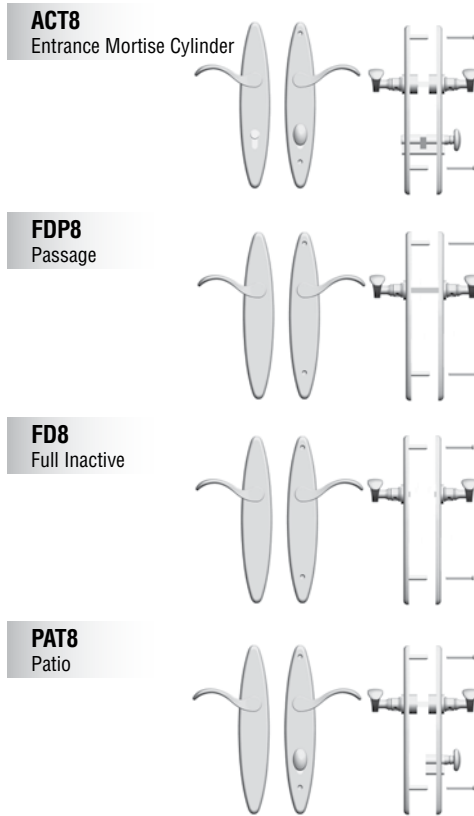


Configuration #	Description
Configuration 8	European Mortise Cylinder — 85mm center to center 215.9 mm center to center mounting hole location

STEP 3

CHOOSE YOUR FUNCTION — CONFIGURATION #8

EXAMPLE # MP004 . xxx . **ACT8**



Bismark, Boulder, Cody, Concord, Lakeshore, Springfield

Tier 1

Item #	Description	Without Levers			
		030, 031	033, 034, 040	050, 060, 102	003, 055
ACT8	Entrance Mortise Cylinder European Mortise Entry - Keyed W/ Turnknob	\$550	\$625	\$405	\$460
FDP8	Passage European Mortise Passage - Active No Cylinder Or Turnknob				
FD8	Full Inactive European Mortise Inactive - Non-keyed	450	525	305	360
PAT8	Patio European Mortise Patio - Non-keyed				
Escutcheons ONLY					
KN18	KN, Cut for Knob Inside				
KN1R8	KN, Cut for Knob Inside - Rigid Lever	\$190	220		
KN08	KN, Cut for Knob Outside				
KN0R8	KN, Cut for Knob Outside - Rigid Lever				
KC8	KC, Cut for Cylinder Outside - Pro C1				
KCT8	KC, Cut for Cylinder Inside - Pro C1	210	240		

Kensington, Bristol, Richland

Tier 2

Item #	Description	Without Levers			
		030, 031	033, 034, 040	050, 060, 102	003, 055
ACT8	Entrance Mortise Cylinder European Mortise Entry - Keyed W/ Turnknob	\$600	\$675	\$455	\$510
FDP8	Passage European Mortise Passage - Active No Cylinder Or Turnknob				
FD8	Full Inactive European Mortise Inactive - Non-keyed	500	575	355	410
PAT8	Patio European Mortise Patio - Non-keyed				
Escutcheons ONLY					
KN18	KN, Cut for Knob Inside				
KN1R8	KN, Cut for Knob Inside - Rigid Lever	\$210	240		
KN08	KN, Cut for Knob Outside				
KN0R8	KN, Cut for Knob Outside - Rigid Lever				
KC8	KC, Cut for Cylinder Outside - Pro C1				
KCT8	KC, Cut for Cylinder Inside - Pro C1	230	260		

STEP 3 (CONT)

THICK DOOR KIT — CONFIGURATION #8

EXAMPLE # **MP000 . XXX . ACTD**

Thick Door Kits
Tier 1 & Tier 2

	Included w/standard sets						
	1 ¾"	2"	2 ¼"	2 ¾"	2 ½"	2 ¾"	List Price
ACT1							
All others	MP000.xxx.ACTD	MP000.xxx.ACTD	MP000.xxx.ACTE	MP000.xxx.ACTF	MP000.xxx.ACTG	MP000.xxx.ACTG	\$120
Bismark, Kensington, Lakeshore	MP000.xxx.ACTD	MP000.xxx.ACTE	MP000.xxx.ACTE	MP000.xxx.ACTF	MP000.xxx.ACTG	MP000.xxx.ACTI	\$120
PAT1							
All others	MP000.xxx.PATJ	MP000.xxx.PATJ	MP000.xxx.PATK	MP000.xxx.PATL	MP000.xxx.PATM	MP000.xxx.PATM	\$120
Bismark, Kensington, Lakeshore	MP000.xxx.PATJ	MP000.xxx.PATK	MP000.xxx.PATK	MP000.xxx.PATL	MP000.xxx.PATM	MP000.xxx.PATO	\$120
FD Sets	1 ¾" to 2 ¼"			2 ¾" to 2 ¾"			
	MP000.000.FDPTP	—	—	MP000.000.FDPTQ	—	—	\$25
FDP Sets	1 ¾" to 2 ¼"			2 ¾" to 2 ¾"			
	MP000.000.FDPTP	—	—	MP000.000.FDPTQ	—	—	\$25

- > Baldwin European Mortise trims assume 1.75" door thickness.
- > For thicker doors, please order a Thick Door kit according to the chart below.
Specify cylinder finish where noted.
- > Available cylinder finishes include ONLY 264 (Satin Chrome), 040 (Satin Brass) and 112 (Venetian Bronze).
- > See finish chart on page 156 for cylinder finish recommendations.

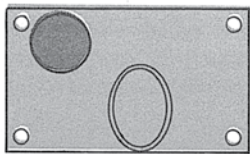
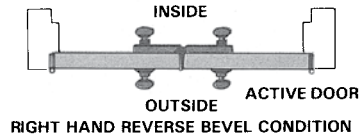
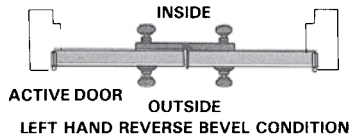
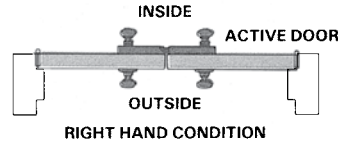
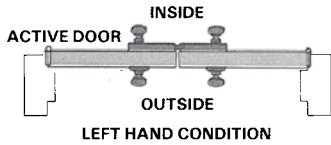
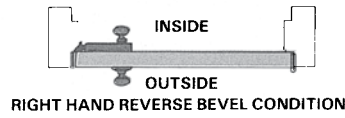
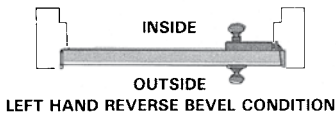
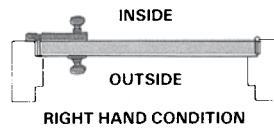
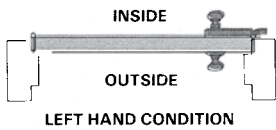
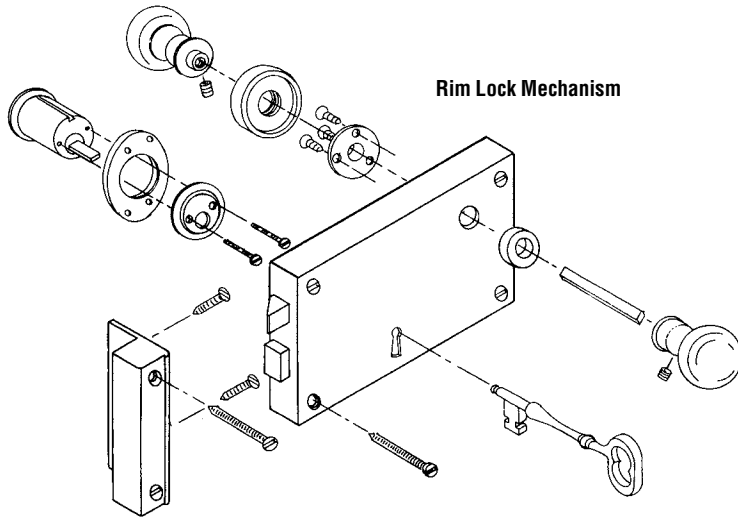
ACT kits include: 8mm to 7.3mm Conversion Spindle, Keyed Cylinder, and Cylinder Installation Hardware
 PAT kits include: 8mm to 7.3mm Conversion Spindle, Patio Cylinder, and Cylinder Installation Hardware
 FDPTP kits include: 8mm to 7.3mm Conversion Spindle

RIM LOCKS STANDARDS & SPECIFICATIONS

Standards & Specifications

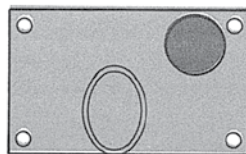
Pride in our American Heritage and renewed interest in its early history has greatly influenced U.S. architecture. With careful research and design, Baldwin has authentically reproduced a piece of that heritage – colonial rim locks.

- > Constructed with solid forged brass parts for exceptional durability and smooth operation
- > Trim designs secured to a broached spindle with an epoxy (resin) coated set screw – prohibits screw from loosening
- > Interior rim locks use bit keys. Bit keys may be ordered fixed permanently into the lock by ordering as .RBIT or .LBIT configurations.
- > Rim locks are sold as sets, split finish requests are subject to 5% list price adder.



**LEFT HAND CONDITION
(SINGLE DOOR)**

Handing of Rim Lock Plates



**RIGHT HAND CONDITION
(SINGLE DOOR)**

NOTE: Hand of door is always determined from outside

IMPORTANT: A dummy trim rim lock must be used on ALL pairs of reverse bevel doors

RIM LOCKS PASSAGE, PRIVACY & ENTRANCE

Rim Locks



Full Dummy prepared as a strike for all function rim locks

Full Dummy Rim Locks

Hollow rim lock case (without any working mechanism)

Included	Item #
Knob (Pair)	5030
Rose (Half Pair)	5002

Passage Rim Locks

Latch bolt by knob either side

Included	Item #
Bit Key*	5755
Knob (Pair)	5030
Rose (Half Pair)	5002

Privacy Rim Locks

Latch bolt by knob either side
Dead bolt by Bit Key either side

Included	Item #
Bit Key*	5755
Cover Plate	0406
Emergency Key	5753
Knob (Pair)	5030
Rose (Half Pair)	5002

Entrance Rim Locks

Latch bolt by knob either side
Dead bolt by key outside and slide bolt inside

Included	Item #
Cylinder	8333
Cylinder Cover Plate	6755
Cylinder Cover Plate*	6757
Knob (Pair)	5030
Rose (Half Pair)	5002

* Only in case of 5704

Exterior Trim



Exterior Trim

Included	Item #
Cylinder (Entrance Only)	6755
Knob	5030
Rose	5002

- > RIM LOCKS ARE NOT REVERSIBLE – SPECIFY HAND OF DOORS
- > IMPORTANT: A dummy trim rim lock must be used on ALL pairs of reverse bevel doors
- > *Bit Key can be permanently fitted at an extra charge of \$10 (add 'BIT' to end of suffix: eg. 5600.xxx.R becomes 5600.xxx.RBIT)
- > Emergency key – s/b stored in readily accessible place
- > For 2 1/4 inch thick doors, 5 inch spindle required

Small Vertical Rim Lock

5600, 5602, 5604
Inside Trim



Right Hand Shown

Item #	Description	Function	Wt.	Backset	030, 031	
					033, 034, 040	003
5600.xxx.R (L, .RR, .LR)	Small Vertical	Passage	3.7	2.75"	\$700	\$740
5600.xxx.RFD (LFD)	Small Vertical	Full Dummy	3.7	2.75"	350	390
5602.xxx.R (L, .RR, .LR)	Small Vertical	Privacy	4.0	2.75"	825	865
5602.xxx.RFD (LFD)	Small Vertical	Full Dummy	3.7	2.75"	425	465
5604.xxx.R (L, .RR, .LR)*	Small Vertical	Entrance	4.6	2.75"	900	940
5604.xxx.RFD (LFD)*	Small Vertical	Full Dummy	4.6	2.75"	450	490

CASE: 4.75" x 3.75" x .875"

KEEPER: 4.75" x .875" x 1.625"

BACKSET: 2.75"

Upright design well suited for narrow stile doors

*5604.xxx – Fixed Bit key NOT available.

7" Horizontal Rim Lock

5630, 5632, 5634
Inside Trim



Right Hand Shown

Item #	Description	Function	Wt.	Backset	030, 031	
					033, 034, 040	003
5630.xxx.R (L, .RR, .LR)	7" Horizontal	Passage	4.4	5.25"	\$775	\$815
5630.xxx.RFD (LFD)	7" Horizontal	Full Dummy	4.4	5.25"	375	415
5632.xxx.R (L, .RR, .LR)	7" Horizontal	Privacy	4.8	5.25"	850	890
5634.xxx.R (L, .RR, .LR)	7" Horizontal	Entrance	5.5	5.25"	950	990
5634.xxx.RFD (LFD)	7" Horizontal	Full Dummy	5.5	5.25"	475	515

CASE: 4" x 6.75" x .875"

KEEPER: 4" x .875" x 1.625"

BACKSET: 5.25"

Small Horizontal Rim Lock

5701, 5702, 5704
Inside Trim



Left Hand Shown

Item #	Description	Function	Wt.	Backset	030, 031	
					033, 034, 040	003
5701.xxx.R (L, .RR, .LR)	Small Horizontal	Passage	3.8	3.5"	\$700	\$740
5701.xxx.RFD (LFD)	Small Horizontal	Full Dummy	3.8	3.5"	350	390
5702.xxx.R (L, .RR, .LR)	Small Horizontal	Privacy	4.2	3.5"	825	865
5702.xxx.RFD (LFD)	Small Horizontal	Full Dummy	3.7	3.5"	425	465
5704.xxx.R (L, .RR, .LR)	Small Horizontal	Entrance	4.6	3.5"	900	940
5704.xxx.RFD (LFD)	Small Horizontal	Full Dummy	4.6	3.5"	450	490

CASE: 3.75" x 4.75" x .875"

KEEPER: 3.75" x .875" x 1.625"

BACKSET: 3.5"

TO BIT KEY: 2.375"

RIM LOCKS ENTRANCE, SPECIAL FUNCTION

Beveled Rim Lock

030, 031
033, 034, 040
050, 060, 102
112, 150, 151
190, 260, 264
003
055
056

5636



Interior Trim

5636.xxx	Included	Size
Exterior Trim	—	Case: 5" × 7.25" × .875"
Interior Trim	—	Keeper: 5" × 1.375" × 1.625"
Bit Key*	5755	Backset: 5.25"
Cylinder	8333	To Bit Key: 4"
Cylinder Cover Plate	6755	Front to cylinder centerline: 3"
Knob/Lever	5030 (Pair)	
Filler Plate	—	Latch bolt by knob either side
Lock Plate	—	
Rose	5002 (Half Pair)	Dead bolt by key outside and slide bolt inside or bit key

Item #	Description	Function	Wt.	Backset		
5636.xxx.R (.L, .RR, .LR)	Bevelled Rim Lock	Entrance	7.2	5.25"	\$1,250	\$1,290
5636.xxx.RFD (.LFD)	Bevelled Rim Lock	Entrance	7.2	5.25"	625	665
5639.xxx.R (.L, .RR, .LR)	Hollow Metal Doors Rim Lock	Entrance	7.2	5.25"	1,250	1,290
5639.xxx.RFD (.LFD)	Hollow Metal Doors Rim Lock	Entrance	7.2	5.25"	625	665
5644.xxx.R (.L, .RR, .LR)	Horizontal Cylinder Lock	Entrance	7.9	8"	1,250	1,290
5644.xxx.RFD (.LFD)	Horizontal Cylinder Lock	Entrance	7.9	8"	625	665
5720.xxx.R (.L, .RR, .LR)	Entrance Door Rim Lock	Entrance	7.8	3.5"	1,250	1,290
5720.xxx.RFD (.LFD)	Entrance Door Rim Lock	Entrance	7.8	3.5"	625	665
5722.xxx	Entrance Door Rim Lock	Outside only	x	3.5"	360	380
5723.xxx.R (.L)	Entrance Door Rim Lock	Inside only	x	3.5"	950	970

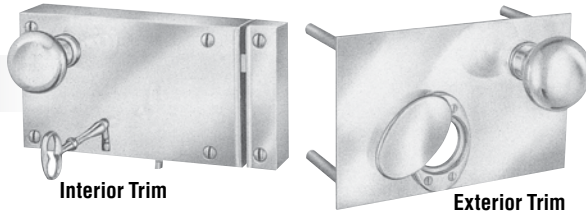
> RIM LOCKS ARE NOT REVERSIBLE – SPECIFY HAND OF DOORS

> **IMPORTANT:** A dummy trim rim lock must be used on ALL pairs of reverse bevel doors

> *Bit Key can be permanently fitted at an extra charge of \$10 (add 'BIT' to end of suffix: eg. 5600.xxx.R becomes 5600.xxx.RBIT)

> For 2 ¼ inch thick doors, 5 inch spindle required

5639

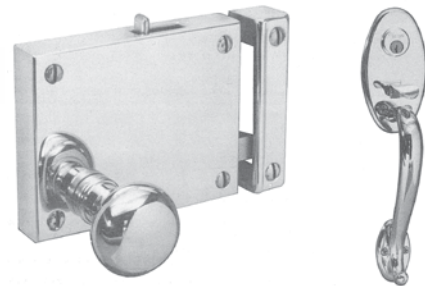


Interior Trim

Exterior Trim

5639.xxx	Included	Size
Exterior Trim	—	Case: 4" × 6.75" × .875"
Interior Trim	—	Keeper: 4" × .875" × 1.625"
Bit Key*	5755	Lock Plate 4" × 6.25"
Cylinder	8333	Backset: 5.25"
Cylinder Cover Plate	6755	To Bit Key: 4"
Knob/Lever	5030 (Pair)	Front to cylinder centerline: 3"
Filler Plate	0579	NOTE: For 1.75" thick doors only.
Lock Plate	5629	Specially fabricated lock plate for metal clad doors
Rose	N/A	Latch bolt by knob either side
		Dead bolt by key outside and slide bolt inside or bit key

5720



5720.xxx	Included	Size
Exterior Trim	5722	Case: 3.75" × 4.75" × .875"
Interior Trim	5723	Keeper: 3.75" × .875" × 1.625"
Bit Key*	—	Lock Plate 4" × 6.25"
Cylinder	8333	Backset: 3.5"
Cylinder Cover Plate	—	Front to cylinder centerline: 2.75"
Knob/Lever	5030 (Pair)	NOTE: For 1.75" - 2" thick doors only
Filler Plate	—	Latch bolt by knob either side
Lock Plate	—	Dead bolt by key outside and slide bolt inside or bit key
Rose	—	

5644



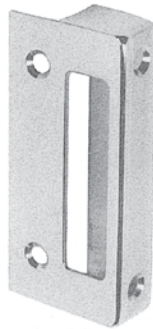
Interior Trim

5644.xxx	Included	Size
Exterior Trim	—	Case: 5.75" × 10" × .875"
Interior Trim	—	Keeper: 5.75" × .875" × 1.625"
Bit Key*	5755	Backset: 8"
Cylinder	8333	To Bit Key: 6"
Cylinder Cover Plate	6755	Front to cylinder centerline: 5"
Knob/Lever	5030 (Pair)	
Filler Plate	—	Latch bolt by knob either side
Lock Plate	—	
Rose	5002 (Half Pair)	Dead bolt by key outside and slide bolt inside or bit key

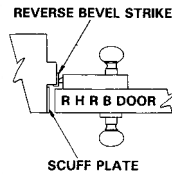
Unusual combination of classic colonial "Pitcher Handle" sectional trim outside with Early American rim lock inside. Thumb piece operates latch and can be locked by turning cylinder key from outside or sliding dead bolt from inside.

Trim Pieces

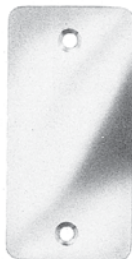
**Rim Lock Keeper
(Strikes)**



**Reverse Bevel Keepers
(Strikes)**



Scuff Plates



030, 031
033, 034, 040
050, 060, 102
112, 150, 151
190, 260, 264

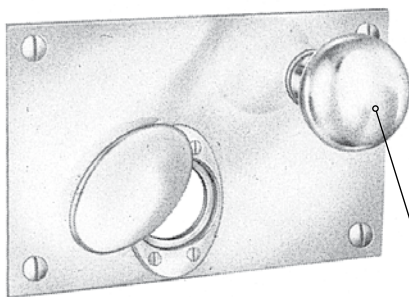
003
055
056

Item #	Description	Size	Fits Rim Lock		
5601.xxx	Keeper (Standard Strike)	4.75" x 0.875" x 1.625"	5600, 5602, 5604		
5631.xxx	Keeper (Standard Strike)	4" x 0.875" x 1.625"	5630, 5632, 5634, 5639		
5641.xxx	Keeper (Standard Strike)	5.75" x 0.875" x 1.625"	5644	\$75	\$85
5671.xxx	Keeper (Standard Strike)	3.75" x 0.875" x 1.625"	5701, 5702, 5704, 5720		
5603.xxx	Reverse Bevel Keeper (Strike)	4.75" x 1" x .375"	5600, 5602, 5604		
5628.xxx	Reverse Bevel Keeper (Strike)	4" x 1" x .375"	5630, 5632, 5634, 5639	60	70
5642.xxx	Reverse Bevel Keeper (Strike)	5.75" x 1" x .375"	5644		
5672.xxx	Reverse Bevel Keeper (Strike)	3.75" x 1" x .375"	5701, 5702, 5704, 5720		
5606.xxx	Scuff Plate	4.75" x 1.875"	5600, 5602, 5604		
5633.xxx	Scuff Plate	4" x 1.875"	5630, 5632, 5634, 5639	60	70
5643.xxx	Scuff Plate	5.75" x 1.875"	5644		
5673.xxx	Scuff Plate	3.75" x 1.875"	5701, 5702, 5704, 5720		

Scuff Plates

- > Recommended on reverse bevel doors.
- > Prevents damage to doors and latch bolts.
- > Provides smoother lock operation.

Exterior only Lock Plate



Knob trim NOT included
Included with Cylinder-function Rim Lock

Item #	Description	Door Handling	Door	Plate Prep	Size	Fits Rim Lock		
5608.xxx.RSKC (.LSKC)*	Exterior Lock Plate				4.75" x 3.25"	5604		
5626.xxx.RSKC (.LSKC)**	Exterior Lock Plate	R or L	Single	KC	4" x 6.25"	5634, 5636	\$140	\$155
5629.xxx.RSKC (.LSKC)	Exterior Lock Plate					5639		
5674.xxx.RSKC (.LSKC)*	Exterior Lock Plate				3.75" x 4.25"	5704		

*Does not include and cannot accommodate 6755 Swing Cover
**Beveled trim for 5626 lock plate is not available.

5626 & 5629 Plates: 6755 Cylinder Cover Plate is secured to plate
Note: Rose and Cylinder trim furnished with cylinder function rim locks not used w/ Lock Plate
THICKNESS: .093"

RIM LOCKS ACCESSORIES

Accessories

030, 031
033, 034, 040
050, 060, 102 003
112, 150, 151 055
190, 260, 264 056

Item #	Description		
0406.xxx	Colonial Emergency Release Trim & Key	\$40	\$45
5753.xxx	Emergency Release Key	35	40
5754.xxx	Key Plate	15	20
5755.xxx	Bit Key	35	40
5758.xxx	Solid Brass Spacer	10	15
6755.xxx	Cylinder Lock Cover Plate	95	100
6755.xxx.001	1/16" Blocking Ring – 6755 only		
6755.xxx.002	3/32" Blocking Ring – 6755 only	(040 finish only)	10
6755.xxx.003	1/8" Blocking Ring – 6755 only		
8314.xxx	Wrought Cylinder Collar for Rim Locks	15	20

0406



5753



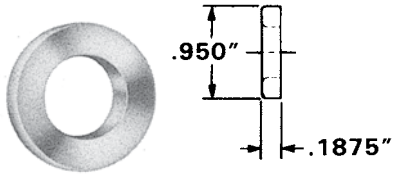
5754



5755



5758



6755



8314



0406.xxx – Colonial Emergency Release Trim & Key

SIZE: 2.312" x .687" (59 x 17mm).

5753.xxx – Emergency Release Key

SIZE: 4" (102mm) long.

Designed for use with Privacy Rim and Mortise Lock

5754.xxx – Key Plate

SIZE: 2" x 1.125" (51 x 29mm). Key Plate

5755.xxx Bit Key

SIZE: 4" (102mm) long.

FEATURES: Fits all Baldwin rim locks. Can be permanently fitted with locks to prevent unauthorized removal.

5758.xxx – Solid Brass Spacer

Designed for use with knob trim during installation on rim lock case. Furnished standard with all rim lock sets.

6755.xxx – Cylinder Cover Plate

SIZE: 2.375" x 1.625" (60 x 41mm)

FEATURES: For use with all standard rim lock cylinders (except 5704 Rim Lock)

6755.xxx.001-3 – Blocking Rings

For 6755 Cylinder Cover Plate only

How To Order

Deadbolt



Sectional Handset





DEADBOLT **EXAMPLE:**

To Order Only a Deadbolt, Simply Order & Specify the Finish: **8285.150.AC1**

SECTIONAL HANDSET **EXAMPLE:**

To Order Sectional Handset, Order Both Deadbolt & Sectional Handset Kit* (with Handing) & Specify the Finish: **8285.150.AC1 + 85386.150.ACRH**

> Keyless Entry Systems are only available in Soho & Boulder Styles.

Finishes Available for Soho Keyless Entry

8285.xxx.AC1
Soho Deadbolt



85386.xxx.ACRH (.ACLH)
Soho Sectional Trim w/ 5485V Lever




Finishes


150 Satin Nickel	260 Polished Chrome	264 Satin Chrome	056 Lifetime (PVD) Satin Nickel
TIER 1			TIER 2

Finishes Available for Boulder Keyless Entry

8252.xxx.AC1
Boulder Deadbolt



85353.xxx.ACRH (.ACLH)
Boulder Sectional Trim w/ 5452V Beavertail Lever



Finishes

102 Oil Rubbed Bronze	112 Venetian Bronze	003 Lifetime (PVD) Polished Brass	402 Distressed Oil Rubbed Bronze
TIER 1		TIER 2	

KEYLESS ENTRY

Keyless Entry Features & Specifications

FEATURES

- Easy Install in Minutes w/ Screwdriver
- Fits Standard Tubular Door Prep
- No Hard Wiring Required
- 2 Customizable User Codes with Easy Add & Delete
- 4 to 8 Digit Codes
- One Touch Locking
- Back-Lit Keypad for Increased Visibility
- Incorrect Code Lockout Feature
- Customizable Features:
 - Automatic Door Locking after 30 Seconds
 - Door Locked / Unlocked led indicator
 - Audible beep for activation
- 4 AA Batteries
- Low Battery LED Indicator
- Tapered Deadbolt Design - Compensates for Door Misalignment Conditions
- Protective Coated Keypad Preventing Wear & Discoloration
- Automatic Handing Feature
- Solid Forged Brass Trim

SPECIFICATIONS

Function	Single Cylinder Deadbolt
Door Prep	2 1/8" Bore, 1" Edge Bore
Backset	Adjustable 2 3/8" or 2 3/4"
Door Thickness	1.75" to 2.00"
Cylinder	5-Pin C-Keyway
Faceplate	1" Square Corner
Strike	Square Corner with reinforcing plate
Latch	1" Throw
Bolt	Brass, tapered w/ security pin
Door Handing	Automatic Handing

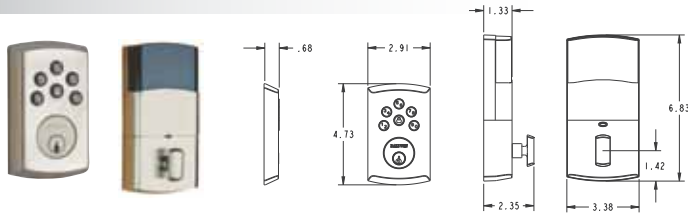
FAQ List

Keyless Entry

Does this product require a different installation?	No, fits a standard tubular deadbolt prep.
What is the estimated life of the batteries?	Approximately 1 year of standard use.
Is this product offered in an emergency egress function?	No, this product is not offered in an Emergency Egress function.
What cylinders are provided?	Uses a standard deadbolt cylinder with an extended tail piece.
What latches are provided with this product?	The Keyless Entry Deadbolt products use a modified standard Deadbolt Latch that includes a tapered bolt & a modified latch cam.
Are there issues with the motorized bolt in regards to weather-stripping or warped door conditions?	The tapered deadbolt was designed to address these conditions.
Can I get additional finishes or split finishes?	No, these products cannot be extended into additional finishes or split finishes at this time.
What is the standard lead time for these products?	There will be an extended lead time period for the product launch, but after that the Keyless Entry products will maintain a standard product lead time of 3 weeks.
Are Keyed Alike sets offered?	No, not at this time. Product will need to be re-keyed in the field.
What is the Warranty?	The Keyless Entry Deadbolts carry a Standard Images Mechanical & Finish Warranty & a 1 Year Electronic Warranty.
Are batteries included?	No, AA batteries are not included & will need to be purchased separately.

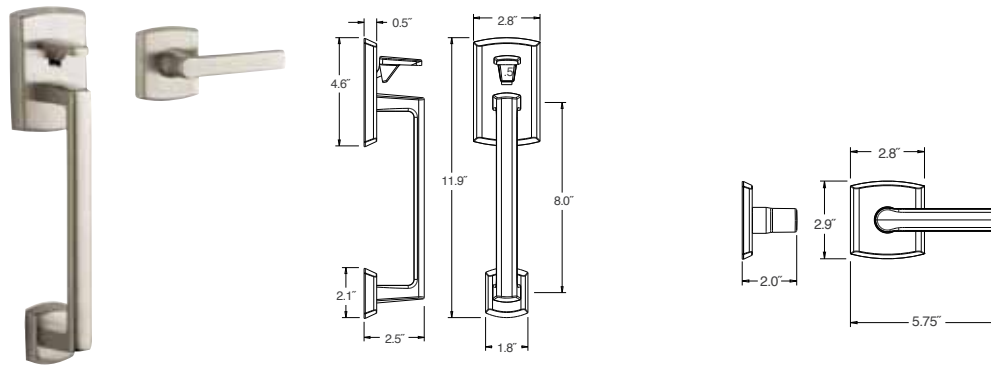
KEYLESS ENTRY

Soho Deadbolt



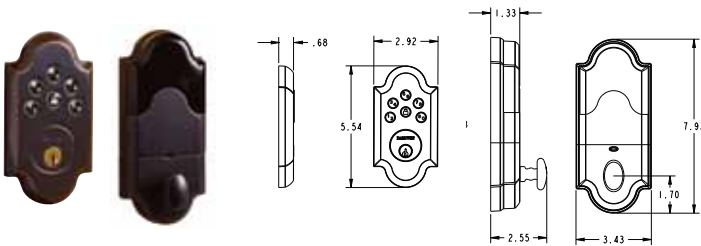
Item #	Description	Tier 1 150, 260, 264	Tier 2 056
8285.xxx.AC1	Deadbolt	\$465	\$495

SOHO Sectional Handleset Kit



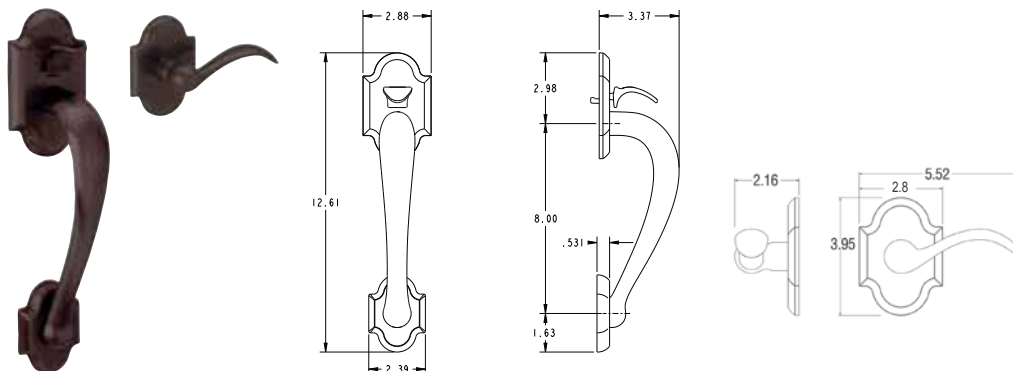
Item #	Description	Tier 1 150, 260, 264	Tier 2 056
85386.xxx.ACRH (.ACLH)	Sectional Entry Handleset Kit	\$335	\$350

Boulder Deadbolt



Item #	Description	Tier 1 102, 112	Tier 2 003, 402
8252.xxx.AC1	Deadbolt	\$465	\$495

Boulder Sectional Handleset Kit



Item #	Description	Tier 1 102, 112	Tier 2 003, 402
85353.xxx.ACRH (.ACLH)	Sectional Entry Handleset Kit	\$335	\$350

DEADBOLT SETS, MECHANICAL FEATURES

8000 SERIES

LOW PROFILE CYLINDER DEADBOLT FOR 1 3/8" (41mm) DOOR PREP

All deadbolts feature a 1/2" low-profile cylinder projection.

CASE: Deadbolt case is formed of heavy gauge steel for strength and assures solid fit in door preparations. Most interior working parts are made of solid brass for maximum strength and smooth operation.

DEADBOLT: All deadbolts are of solid brass construction. Deadbolt has .600" x .770" x 1" (15 x 20 x 25mm) throw when extended and a hardened steel insert for maximum protection and security. Deadbolt is furnished in 040 and 264 finishes to match trim.

GRADE 1: Meets Grade 1 Requirements as set forth in ANSI A156.5 Test Sections 9.1-9.11 & 10.1-10.9.

BACKSET: Adjustable backset deadbolt 2 3/8" (60mm) or 2 3/4" (70mm). NON-HANDED design facilitates specification and installation.

STRIKE: Every deadbolt illustrated in this section is furnished with a specially-designed reinforcing strike constructed of high grade steel for ultimate strength and durability. The strike is installed with four (4) security jamb screws (including two (2) 3" screws) and a dust box and is covered with an armored front to conceal the fasteners. The 3" screws securing the reinforcing strike resist tampering and guard against theft.

CYLINDERS: The cylinder housing is protected with a free-turning exterior cylinder guard fabricated from solid brass to resist gripping or twisting. Cylinders are supplied standard with 03 keyway and two nickel silver keys. All deadbolts are furnished with 5-pin keying.

KEYING: Keep in mind that the total quantity of deadbolts ordered must be a multiple of the keyed alike quantity. Contact factory for keying to a specific key number. KEYS are designed with a 1.25" (32mm) wide bow surface.

PACKAGING: Packaged one deadbolt per box with security strike, dust box and keys. All products are packaged in contractor packaging.

WEIGHT: 1.8 lbs. each (.81kg); 10.8 lbs. (4.86kg) per case for standard package.

DOOR CONDITIONS: Deadbolts fit 1 3/8" (41mm) diameter cutouts. Trim rings No. 8090 available for doors drilled with 2-1/8" (54mm) diameter holes.

DOOR THICKNESS: Deadbolts fit 1 3/4" (44mm) thick doors. Deadbolt kits are available for 2" (51mm) and 2 1/4" (57mm) thick doors at an additional charge. Door spacers No. 8097 are required for 1 3/8" (35mm) thick doors (available for the 8041, 8011, 8031 & 8021 deadbolts only).

8200 SERIES

LOW PROFILE CYLINDER DEADBOLT FOR 2 1/8" (54mm) DOOR PREP

All information identical to 8000 SERIES except where noted here

WEIGHT: 2.2 lbs. each (.99kg); 13.2 lbs. per case (5.94kg).

DOOR CONDITIONS: Deadbolts fit 2 1/8" (54mm) diameter cutouts.

DOOR THICKNESS: Deadbolts fit 1 3/4" (44mm) thick doors. Deadbolt kits are available for 2" (51mm) and 2 1/4" (57mm) thick doors at an additional charge. Door spacers No. 8297 are required for 1 3/8" (35mm) thick doors (8241, 8242, 8231, 8232 only).

UL Deadbolts Kit

UL certified tubular products can be ordered by adding a UL kit to our standard deadbolt or select Estate passage or privacy sets. Our UL products are rated a 3hr fire rating when used on fire rated doors.

UL DEADBOLTS KIT



Item #	Description	031, 033	
		034, 040, 050	003
U8201.xxx.DB	UL Kit for single cylinder deadbolt - 2 1/8" door prep	060, 102, 112	003
U8202.xxx.DB	UL Kit for double cylinder deadbolt - 2 1/8" door prep	150, 151, 152	055
U8208.xxx.DB	UL Kit for single cylinder deadbolt - 1 5/8" door prep	190, 260, 264	056
U8209.xxx.DB	UL Kit for double cylinder deadbolt - 1 5/8" door prep		

For 402, 412, or 452 finishes, please substitute with a 102, 112, or 152 finish respectively.

INCLUDED:

Deadbolt latch with UL faceplate, UL Shield and rotation stop

ORDERING INSTRUCTIONS:

- Choose your deadbolt: eg. 8231.003 - Traditional Deadbolt, single cylinder, 2 1/8" door prep
- Choose the appropriate deadbolt kit: U8201.003.DB - UL kit for single cylinder, 2 1/8" door prep

Other examples:

8041.260 - Contemporary deadbolt, single cylinder, 1 5/8" door prep

U8208.260.DB - UL kit for single cylinder, 1 5/8" door prep

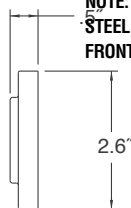
8238.112 - Bethpage deadbolt, double cylinder, 2 1/8" door prep

U8202.112.DB - UL kit for double cylinder, 2 1/8" door prep

NOTE: All components from the deadbolt kit must be installed for UL certification.

Contemporary Deadbolt - 2 1/8" Door Prep

8244 & 8244S



Item #	Description	Wt.	031, 033	
			034, 040, 050	003, 055
8244.xxx	Single cylinder deadbolt	2.0	\$130	\$145
8244.xxx.PAT	Patio deadbolt	1.2	110	125
			320, 324	
8244S.xxx	Single cylinder deadbolt (stainless steel)	1.9	130	—
8244S.xxx.PAT	Patio deadbolt (stainless steel)	1.1	110	—

NOTE: Not Available as a double cylinder. Also Not Available for 1 3/8" thick doors.

STEEL CASE: .960" Dia. x 3.312" or 3.750" extended (24 x 84 or 95mm)

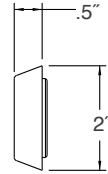
FRONT: .156" x 1" x 2.25" (4 x 25 x 57mm)

Contemporary Deadbolt – 1 5/8" Door Prep



Item #	Description	Wt.	031, 033	
			034, 040, 050	003, 055
8041.xxx	Single cylinder deadbolt	1.7	\$95	\$110
8011.xxx	Double cylinder deadbolt	1.9	110	125

STEEL CASE: .960" Dia. x 3.312" or 3.75" extended (24 x 84 or 95mm)
FRONT: .156" x 1" x 2.25" (4 x 25 x 57mm)



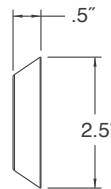
Contemporary Deadbolt – 2 5/8" Door Prep



Item #	Description	Wt.	031, 033	
			034, 040, 050	003, 055
8241.xxx	Single cylinder deadbolt	2.1	\$95	\$110
8242.xxx	Double cylinder deadbolt	2.4	110	125
8241.xxx.PAT	Patio deadbolt	1.1	70	80

STEEL CASE: .960" Dia. x 3.312" or 3.750" extended (24 x 84 or 95mm)
FRONT: .156" x 1" x 2.25" (4 x 25 x 57mm)

Patio Deadbolt: NOT 2 1/8" Door Prep

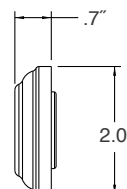


Traditional Deadbolt – 1 5/8" Door Prep



Item #	Description	Wt.	031, 033	
			034, 040, 050	003, 055
8031.xxx	Single cylinder deadbolt	1.8	\$95	\$110
8021.xxx	Double cylinder deadbolt	2.0	110	125

STEEL CASE: .960" Dia. x 3.312" or 3.750" extended (24 x 84 or 95mm)
FRONT: .156" x 1" x 2.25" (4 x 25 x 57mm)



DEADBOLTS

Traditional Deadbolt – 2 1/8" Door Prep

8231



8232



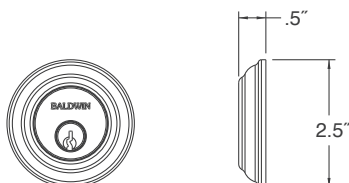
8231.xxx.PAT



Item #	Description	Wt.	031, 033	
			034, 040, 050	003, 055
8231.xxx	Single cylinder deadbolt	2.2	\$95	\$110
8232.xxx	Double cylinder deadbolt	2.4	110	125
8231.xxx.PAT	Patio deadbolt	1.1	70	80

STEEL CASE: .960" Dia. x 3.312" or 3.75" extended (24 x 84 or 95mm)
FRONT: .156" x 1" x 2.25" (4 x 25 x 57mm)

Patio Deadbolt: NOT 2 1/8" Door Prep



Tahoe Deadbolt – 2 1/8" or 1 5/8" Door Prep

8213

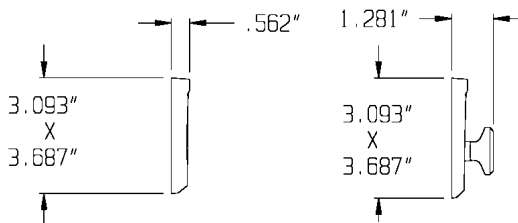


8212



Item #	Description	Wt.	031, 033	
			034, 040, 050	003, 055
8213.xxx	Single cylinder deadbolt	2.4	\$110	\$125
8212.xxx	Double cylinder deadbolt	2.5	125	140

NOT AVAILABLE FOR 1 3/8" THICK DOORS.
STEEL CASE: .960" Dia. x 3.312" or 3.750" extended (24 x 84 or 95mm)
FRONT: .156" x 1" x 2.25" (4 x 25 x 57mm)



Bethpage™ Deadbolt – 2 1/8" Door Prep

8237

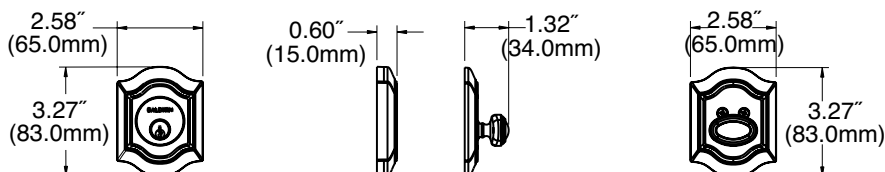


8238



Item #	Description	Wt.	031, 033	
			034, 040, 050	003, 055
8237.xxx	Single cylinder deadbolt	2.1	\$110	\$125
8238.xxx	Double cylinder deadbolt	2.4	125	140

NOT AVAILABLE FOR 1 3/8" THICK DOORS.
STEEL CASE: .960" Dia. x 3.312" or 3.750" extended (24 x 84 or 95mm)
FRONT: .156" x 1" x 2.25" (4 x 25 x 57mm)
COLLAR DIMENSION: 2.63"W X 3.25"H X 0.5" THICK (66 X 81 X 13mm)

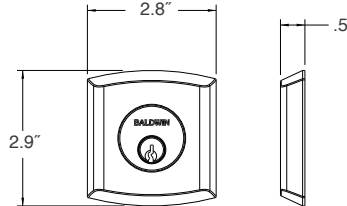


Soho Deadbolt – 2 1/8" Door Prep

8285



8286



Item #	Description	Wt.	031, 033 034, 040, 050	003, 055 056, 402
8285.xxx	Single cylinder deadbolt	2.2	\$110	\$125
8286.xxx	Double cylinder deadbolt	2.4	125	140

NOT AVAILABLE FOR 1 3/8" THICK DOORS.

STEEL CASE: .960" Dia. x 3.312" or 3.750" extended (24 x 84 or 95mm)

FRONT: .156" x 1" x 2.25" (4 x 25 x 57mm)

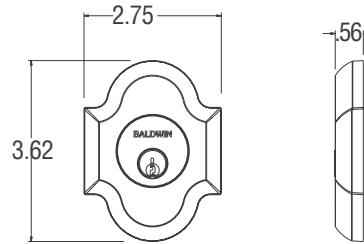
COLLAR DIMENSION: 2.75"W X 2.88"H X 0.5" THICK (70 X 73 X 13mm)

Arched Deadbolt – 2 1/8" Door Prep

8252



8253



Item #	Description	Wt.	031, 033 034, 040, 050	003, 055 056, 402
8252.xxx	Single cylinder deadbolt	2.0	\$110	\$125
8253.xxx	Double cylinder deadbolt	2.0	125	140

NOT AVAILABLE FOR 1 3/8" THICK DOORS.

STEEL CASE: .960" Dia. x 3.312" or 3.750" extended (24 x 84 or 95mm)

FRONT: .156" x 1" x 2.25" (4 x 25 x 57mm)

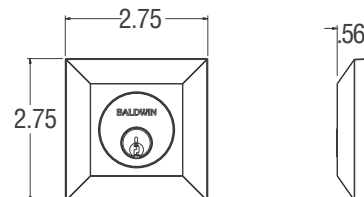
COLLAR DIMENSION: 2.75"W X 3.62"H X 0.5" THICK (70 X 92 X 13mm)

Squared Deadbolt – 2 1/8" Door Prep

8254



8255



Item #	Description	Wt.	031, 033 034, 040, 050	003, 055 056, 402
8254.xxx	Single cylinder deadbolt	2.0	\$110	\$125
8255.xxx	Double cylinder deadbolt	2.0	125	140

NOT AVAILABLE FOR 1 3/8" THICK DOORS.

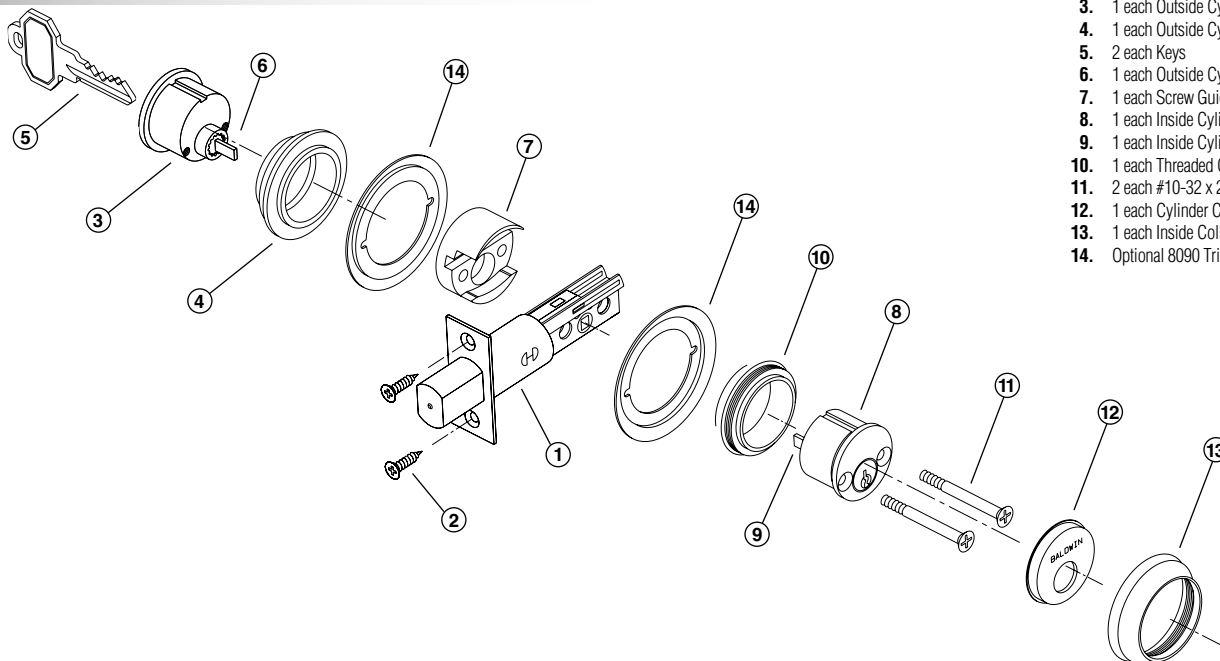
STEEL CASE: .960" Dia. x 3.312" or 3.750" extended (24 x 84 or 95mm)

FRONT: .156" x 1" x 2.25" (4 x 25 x 57mm)

COLLAR DIMENSION: 2.73"W X 3.62"H X 0.5" THICK (70 X 92 X 13mm)

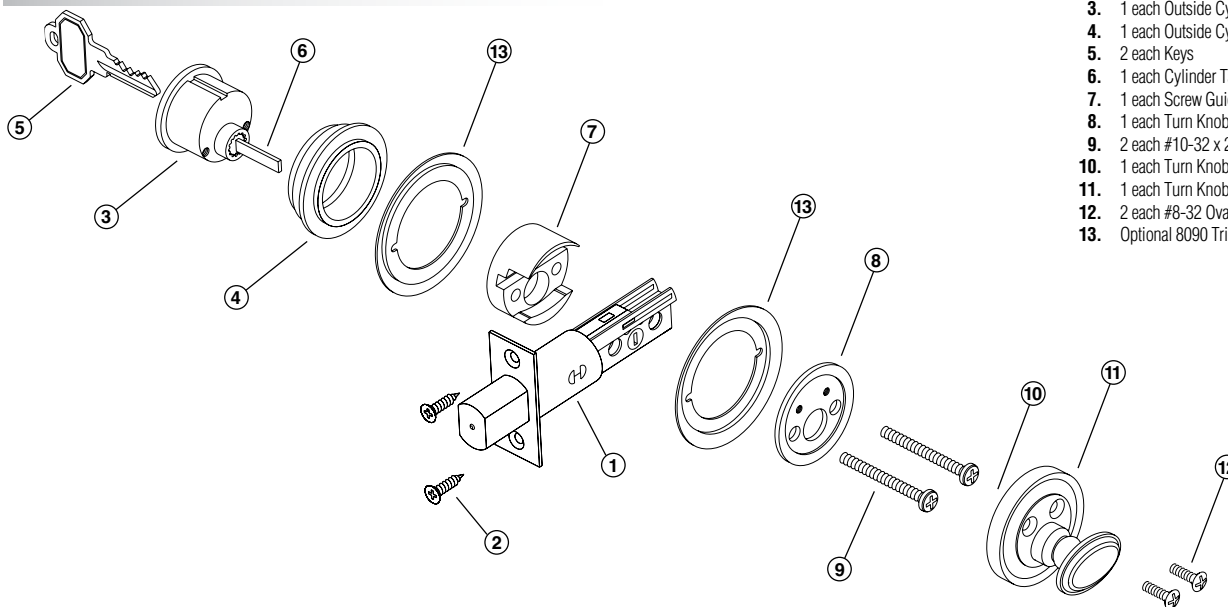
TUBULAR DEADBOLTS, EXPLODED VIEWS

Double Cylinder Deadbolt



1. 1 each Adjustable Backset Deadbolt
2. 4 each #8.75" Flathead Combination Screws
3. 1 each Outside Cylinder
4. 1 each Outside Cylinder Collar
5. 2 each Keys
6. 1 each Outside Cylinder Tail Piece
7. 1 each Screw Guide
8. 1 each Inside Cylinder
9. 1 each Inside Cylinder Tail Piece
10. 1 each Threaded Collar
11. 2 each #10-32 x 2.25" Flat Head Machine Screws
12. 1 each Cylinder Cover
13. 1 each Inside Collar
14. Optional 8090 Trim Rings

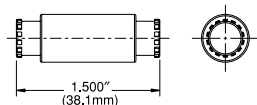
Single Cylinder Deadbolt



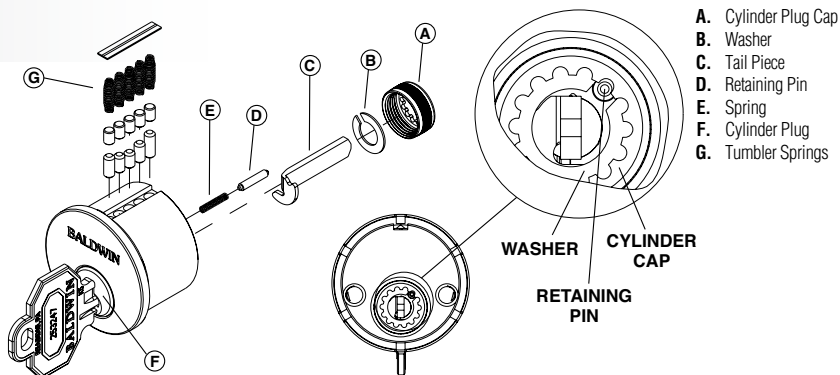
1. 1 each Adjustable Backset Deadbolt
2. 2 each #8-32 x 3/4" Flat Head Machine Screws
3. 1 each Outside Cylinder
4. 1 each Outside Cylinder Collar
5. 2 each Keys
6. 1 each Cylinder Tail Piece
7. 1 each Screw Guide
8. 1 each Turn Knob Mounting Plate
9. 2 each #10-32 x 2 1/4" Flat Head Machine Screws
10. 1 each Turn Knob Tail Piece
11. 1 each Turn Knob Trim
12. 2 each #8-32 Oval Head Machine Screws
13. Optional 8090 Trim Rings

Cylinder Exploded View

CYLINDER CAP TOOL



No. 8052.289.00045



- A. Cylinder Plug Cap
- B. Washer
- C. Tail Piece
- D. Retaining Pin
- E. Spring
- F. Cylinder Plug
- G. Tumbler Springs

TUBULAR HANDLESET ACCESSORIES

5398 – Thick Door Kits for New Mechanics

Item #	Description	Std. Box	Wt.	030,	050,	102	402
				112,	150,	151	421
				190,	260,	264	452
5398.xxx.A*	For Sectional & Escutcheon Entrance (ENTR) function handlesets with Knobs to fit 2" & 2 1/4" thick doors	1	.3				
5398.xxx.B*	For Sectional & Escutcheon Double Cylinder (DBLC) function handlesets with Knobs to fit 2" & 2 1/4" thick doors	1	.4	\$45			—
5398.xxx.C	For all Emergency Egress handlesets (ENTR, RENT, LENT) to fit 2" & 2 1/4" thick doors	1	.4				
5398.xxx.D	For Sectional, Escutcheon and Emergency Egress Dummy (FD, LRFD) handlesets to fit 2" & 2 1/4" thick doors	1	.1	15			—
5398.xxx.G	For Sectional and Escutcheon Entrance (RENT, LENT) function handlesets with Levers to fit 2" & 2 1/4" thick doors	1	.3		45		—
5398.xxx.H	For Sectional and Escutcheon Double Cylinder (RDBL, LDBL) function handlesets with Levers to fit 2" & 2 1/4" thick doors	1	.4				

5399 – Thick Door Kits for New Mechanics

Item #	Description	Std. Box	Wt.	030,	050,	102	402
				112,	150,	151	421
				190,	260,	264	452
5399.xxx.A	For all Sectional and Escutcheon Single Cylinder Entrance function handlesets to fit 2" & 2 1/4" thick door	1	.3				
5399.xxx.B	For all Sectional and Escutcheon Double Cylinder Entrance handlesets to fit 2" & 2 1/4" thick doors	1	.4	\$45			—
5399.xxx.C	For all Emergency Egress function handlesets to fit 2" & 2 1/4" thick doors	1	.3				
5399.xxx.D	For all Full Dummy handle functions — Sectional, Escutcheon and Emergency Egress to fit 2" & 2 1/4" thick doors	1	.1	15			—

Features: Each conversion kit includes tailpieces (if necessary), thru-bolts, strike plate, and instructions for modifying sets for use on doors either 2" (51mm) or 2 1/4" (57mm) in thickness. (Must specify finish.)

Weight: .21 lbs. (.09kg)

5399 – Repair Kits for New Mechanics

Item #	Description	Std. Box	Wt.	030,	050,	102	402
				112,	150,	151	421
				190,	260,	264	452
5399.xxx.G*	For active Sectional and Escutcheon handlesets with Interior Knobs including Single Cylinder (ENTR) and Double Cylinder (DBLC) sets	1	1.1				
5399.xxx.H*	For active Sectional and Escutcheon handlesets with Interior Levers including Single Cylinder (LHRH) and Double Cylinder (LRDB) sets	1	1.3	\$45			\$45
5399.xxx.I	For active Tahoe Sectional handlesets with Interior Knobs including Single Cylinder (ENTR) and Double Cylinder (DBLC) sets	1	1.2				
5399.xxx.J	For active Tahoe Sectional handlesets with Interior Levers including Single Cylinder (LHRH) and Double Cylinder (LRDB) sets	1	1.2				
5399.xxx.K*	For Full Dummy (FD or LRFD) Sectional, Escutcheon, and Emergency Egress handlesets with a Traditional oval thumbpiece including Interior Knobs or Levers	1	.7		35		35
5399.xxx.L	For Full Dummy (FD or LRFD) Tahoe handlesets with a rectangular thumbpiece including Interior Knobs or Levers Use this kit for the following Trim Set: Tahoe	1	.6				
5399.xxx.M	For active Emergency Egress handlesets (ENTR) with an oval egress cartridge, a Traditional oval thumbpiece, and an Interior Knob	1	2.0				
5399.xxx.N	For active Emergency Egress handlesets (LENT or RENT) with a rectangular egress cartridge, a Traditional oval thumbpiece, and an Interior Lever	1	2.0	45			45
5399.xxx.O	For active Tahoe Emergency Egress handlesets (ENTR or LHRH) with an oval egress cartridge, a rectangular thumbpiece and an Interior Knob or Lever	1	2.0				

NOTE: All parts must be installed for proper lock function.

TUBULAR ENTRANCE SET & DEADBOLT ACCESSORIES

Strikes, Cylinders & Turnpiece Components

Item #	Description	U/M.	Wt.	003	050, 102	402	Other	
					112, 150, 151	412	055	Finishes
					190, 260, 264	452	056	(As Marked)
8000.xxx.RSTR	Radius corner deadbolt strike	each	0.2	\$10	\$10	\$10	—	—
8000.xxx.STR	Standard security deadbolt strike	each						
8000.849.STR3	Dust box	each	0.1	—	—	—	—	\$5

Item #	Description	U/M.	Wt.	003	050, 102	402	Other	
					112, 150, 151	412	055	Finishes
					190, 260, 264	452	056	(As Marked)
8011.xxx.0020	Inside cylinder	each	0.1	\$15	\$15	—	\$15	—
8011.xxx.0021	Cylinder threaded sleeve for mounting inside of double cylinder deadbolt	each	0.2	—	—	—	—	—
8011.xxx.0031	Tumbler springs	100/ pkg	0.1	—	—	—	—	109 = \$20
8030.xxx.0003	Traditional outside cylinder collar	each	2.0	35	30	30	35	060 = 30
8030.xxx.0005	Traditional inside cylinder collar	each	2.0	35	30	30	35	060 = 30
8030.xxx.0510	Traditional turn knob assembly	each	0.3	65	65	65	65	—
8031.xxx.TP11	Turn piece tail piece, older style handleset	each		—	—	—	—	—
8031.xxx.SH18	Pan head thru-bolt	each	0.1	—	—	—	—	509 = 2
8040.xxx.0004	Contemporary outside cylinder collar	each	0.3	35	30	30	35	060 = 30
8040.xxx.0006	Contemporary inside cylinder collar	each	0.2	35	30	30	35	—
8040.xxx.0510	Contemporary turn knob assembly	each	0.3	65	65	65	65	—
8237.xxx.0510	Bethpage turn knob	each	0.4					
8053.xxx.TP115	Cylinder tail piece for double cylinder deadbolt — up to 2 ¼" doors	each						
8053.xxx.TP425	Cylinder tail piece for single cylinder deadbolt — 1 ¾" doors	each	0.2	—	—	—	—	028 = 3
8053.xxx.TP525	Cylinder tail piece for single cylinder deadbolt — 1 ⅞" to 2 ¼" doors	each						
8053.xxx.TP325	Cylinder tail piece for single cylinder deadbolt — 1 ¾" doors	each						
8053.xxx.TP215	Cylinder tail piece for egress	each	0.1	—	—	—	—	028 = 3
8031.xxx.KD12	Cylinder and tail piece for non-egress handleset and single cylinder deadbolts	each	0.5	40	35	40	—	—
8031.xxx.KD22	Cylinder and tail piece for egress handlesets	each	0.5	40	35	40	—	—
8011.xxx.KD12	Double cylinder for handlesets and deadbolts	each	0.8	80	70	80	—	—
8052.xxx.00045	Cylinder cap tool	each	0.1	—	—	—	—	289 = 5

Trim Rings & Collars

8090



8097



8098.xxx.DC03



8098.xxx.TP03



8297



Item #	Description	U/M.	Wt.	003	050, 102 112, 150, 151			402	055	Other Finishes (As Marked)
					190, 260, 264	412	452	056		
8080.xxx	Deadbolt Trim	pair	1.5	\$95	\$85	—	—	\$95		
8090.xxx	Trim rings for 2 1/8" hole	pair	0.2	15	15	15	15	15		
8097.xxx	Cylinder collar spacer for 1 3/8" thick doors for 80xx series deadbolts (1 1/8" prep)	each	0.2	15	15	—	—	15		
8098.xxx.DC03	Double cylinder Conversion kit for 2" & 2 1/4" thick doors	each	0.1	—	—	—	—	—	000 = \$5	
8098.xxx.TP03	Single Cylinder/Turn Piece Conversion kit for 2" & 2 1/4" thick doors	each								
8297.xxx	Cylinder collar spacer for 1 3/8" thick doors for 82xx series deadbolts (2 1/8" prep)	each	0.3	20	20	—	—	20		

Function	Door Thickness
8098.xxx.DC03 Double Cylinder	2" (51mm) & 2.25" (57mm)
8098.xxx.TP03 Cylinder / Turn Piece	

8090.xxx – Trim Rings

Dimensions: 2.5" Dia. (64mm)

Features: Trim Rings are designed for use with installation of 8000 Series (1.625" [41mm] door prep) Deadbolts in 2.125" (54mm) diameter door preparation. One pair of rings is required for use in this application for either Double Cylinder or Cylinder/Turn piece functions. Rings are finished to match Deadbolts.

Weight: 2 lb. (.09kg)

NOTE: 8090 Trim rings are not required for 8200 series deadbolts.

8097.xxx – Cylinder Collar Spacer For 8000 Series Deadbolts – For 1.375" (35mm) Door

Dimensions: 2" Dia. (51mm)

Features: For installation on 1.375" (35mm) doors. Always used under Cylinder Collar. Two Rings are required for Double Cylinder functions. One Ring is required for Cylinder/Turn piece functions. Finished to match deadbolt cylinder collar. Available at an extra charge.

Weight: 2 lb. (.09kg)

8098.xxx – Conversion Kits for 2" and 2.25" doors

Packed: One per box.

8297.xxx – Cylinder Collar Spacer For 8200 Series Deadbolts – For 1.375" (35mm) Door

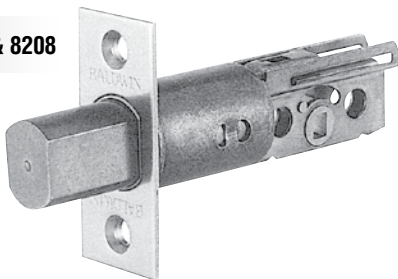
Dimensions: 2.5" Dia. (64mm)

Features: For installation on 1.375" (35mm) doors. Always used under Cylinder Collar. Two Rings are required for Double Cylinder functions. One Ring is required for Cylinder/Turn piece functions. Finished to match deadbolt cylinder collar. Available at an extra charge.

Weight: 3 lb. (.14kg)

Deadbolts

8201 & 8208



Item #	Description	U/M.	Wt.	003	050, 102 112, 150, 151			402	055
					190, 260, 264	412	452	056	
8201.xxx.DB	Adjustable deadbolt for double cylinder & patio	each	0.6	\$40	\$35	—	—	\$40	
8208.xxx.DB	Adjustable deadbolt for single cylinder	each							

	Adjustable Backset	Front Length	Front Width	Type of Lockset
8201.xxx.DB	2.375" or 2.75"	2.25" (57mm)	1" (25mm)	Double
8208.xxx.DB				Single

Features: All Deadbolts are furnished with a 1" (25mm) throw. Each contains a saw-proof, hardened steel insert to prevent tampering. Fronts are adjustable for beveled door conditions. All deadbolts have an adjustable backset feature to accommodate 2.375" or 2.75" backsets.

Packed: Without fasteners. Available in case quantities of twelve (12).

Weight: .6 lb. (.27kg)

5127.xxx.I	33	5166.xxx.MR	25	5241.xxx.RENT(.LENT)	45	5452V.xxx.RMR(.LMR)	26	5639.xxx.R(L,LL)	164
5129.xxx	33	5166.xxx.MRPN	25	5245.xxx.LRFD	45	5455V.xxx.FD	43	5639.xxx.RFD(.LFD)	164
5129.xxx.I	33	5166.xxx.RMR(.LMR)	25	5245.xxx.RENT(.LENT)	45	5455V.xxx.MR	26	5641.xxx	165
5132.xxx.MR	23	5168S.xxx.MR	29	5246.xxx.LRFD	45	5455V.xxx.PASS	43	5642.xxx	165
5132.xxx.MRPN	23	5168S.xxx.MR	29	5246.xxx.RENT(.LENT)	45	5455V.xxx.PRIV	43	5643.xxx	165
5132.xxx.RMR(.LMR)	23	5168S.xxx.RMR(.LMR)	29	5248.xxx.RENT(.LENT)	45	5455V.xxx.RDM(.LDM)	43	5644.xxx.R(L,LL)	164
5133S.xxx	41	5170S.xxx.MR	29	5249.xxx.RENT(.LENT)	45	5455V.xxx.RMR(.LMR)	26	5644.xxx.RFD(.LFD)	164
5133S.xxx.I	41	5170S.xxx.MRPN	29	5255.xxx.LRFD	46	5460V.xxx.FD	43	5671.xxx	165
5134.xxx	33	5170S.xxx.RMR(.LMR)	29	5255.xxx.RENT(.LENT)	46	5460V.xxx.MR	27	5672.xxx	165
5134.xxx.I	33	5172S.xxx.MR	29	5256.xxx.LRFD	46	5460V.xxx.PASS	43	5673.xxx	165
5135.xxx.MR	23	5172S.xxx.MRPN	29	5256.xxx.RENT(.LENT)	46	5460V.xxx.PRIV	43	5674.xxx	165
5135.xxx.MRPN	23	5172S.xxx.RMR(.LMR)	29	5258.xxx.RENT(.LENT)	46	5460V.xxx.RDM(.LDM)	43	5701.xxx.R(L,LL)	163
5135.xxx.RMR(.LMR)	23	5173S.xxx.MR	30	5259.xxx.RENT(.LENT)	46	5460V.xxx.RMR(.LMR)	27	5701.xxx.RFD(.LFD)	163
5137.xxx.MR	24	5173S.xxx.MR	30	5265.xxx.LRFD	46	5465V.xxx.MR	27	5702.xxx.R(L,LL)	163
5137.xxx.MRPN	24	5173S.xxx.RMR(.LMR)	30	5265.xxx.RENT(.LENT)	46	5465V.xxx.RMR(.LMR)	27	5702.xxx.RFD(.LFD)	163
5137.xxx.RMR(.LMR)	24	5174.022	54	5266.xxx.LRFD	46	5485V.xxx.FD	43	5704.xxx.R(L,LL)	163
5138.xxx.MR	24	5177S.xxx.MR	30	5266.xxx.RENT(.LENT)	46	5485V.xxx.MR	27	5704.xxx.RFD(.LFD)	163
5138.xxx.MRPN	24	5177S.xxx.MRPN	30	5268.xxx.RENT(.LENT)	46	5485V.xxx.PASS	43	5720.xxx.R(L,LL)	164
5138.xxx.RMR(.LMR)	24	5177S.xxx.RMR(.LMR)	30	5269.xxx.RENT(.LENT)	46	5485V.xxx.PRIV	43	5720.xxx.RFD(.LFD)	164
5139.xxx	31	5187.xxx	58	5300.xxx.EFLS	48	5485V.xxx.RDM(.LDM)	43	5722.xxx	164
5139.xxx.I	31	5190.xxx.MR	25	5397.xxx.15A	113	5485V.xxx.RMR(.LMR)	27	5723.xxx.R(L)	164
5139S.xxx	41	5190.xxx.MRPN	25	5397.xxx.15B	113	5510.000	48	5753.xxx	166
5139S.xxx.I	41	5190.xxx.RMR(.LMR)	25	5397.xxx.15C	113	5510.xxx.(ASA, FLS)	47	5754.xxx	166
5141.xxx.MR	24	5197.000	56	5397.xxx.15D	113	5510.xxx.0030	46	5755.xxx	166
5141.xxx.MRPN	24	5198.000.A	56	5397.xxx.15E	113	5510.xxx.ASTR	48	5758.xxx	166
5141.xxx.RMR(.LMR)	24	5199.000	46	5397.xxx.15F	113	5510.xxx.E158	48	5970.xxx.BPG2	138
5142.xxx	34	5205.xxx.ENTR	44	5397.xxx.15G	113	5510.xxx.E178	48	5970.xxx.CHG	139
5142.xxx.I	34	5205.xxx.FD	44	5398.xxx.A	175	5510.xxx.E214	48	5970.xxx.FDG	138
5145.xxx	32	5206.xxx.ENTR	44	5398.xxx.B	175	5510.xxx.FSTR	48	5971.xxx.BPG2	138
5145.xxx.I	32	5206.xxx.FD	44	5398.xxx.C	175	5510.xxx.P(ASA, FLS)	47	5971.xxx.FDG	138
5146.xxx	31	5208.xxx.ENTR	44	5398.xxx.D	175	5510.xxx.TSTR	48	5975.xxx.BPG2	138
5146.xxx.I	31	5209.xxx.ENTR	44	5398.xxx.G	175	5512.xxx.(ASA)	47	5975.xxx.CHG	139
5147.xxx	34	5210.xxx	46	5398.xxx.H	175	5512.xxx.P(ASA)	47	5975.xxx.FDG	138
5147.xxx.I	34	5210.xxx	46	5399.xxx.A	175	5513.xxx.(ASA, FLS)	47	5976.xxx.BPG2	139
5148.xxx	30	5210.xxx.ENTR	44	5399.xxx.B	175	5513.xxx.0030	46	5976.xxx.FDG	139
5148.xxx.I	30	5210.xxx.FD	44	5399.xxx.C	175	5513.xxx.P(ASA, FLS)	47	5980.xxx.BPG2	139
5149.xxx	31	5211.xxx.ENTR	44	5399.xxx.D	175	5515.xxx.(ASA)	47	5980.xxx.CHG	139
5149.xxx.I	31	5211.xxx.FD	44	5399.xxx.G	175	5515.xxx.P(ASA)	47	5980.xxx.FDG	139
5151.xxx	31	5213.xxx.ENTR	44	5399.xxx.H	175	5520.xxx.(ASA, FLS)	47	6001.000	125
5151.xxx.I	31	5214.xxx.ENTR	44	5399.xxx.I	175	5520.xxx.P(ASA, FLS)	47	6001.xxx.Suffix	116
5152.xxx.MR	24	5215.xxx.ENTR	44	5399.xxx.J	175	5522.xxx.(ASA)	47	6010.xxx.0004	125
5152.xxx.MRPN	24	5215.xxx.FD	44	5399.xxx.K	175	5522.xxx.P(ASA)	47	6010.xxx.Suffix	121
5152.xxx.RMR(.LMR)	24	5216.xxx.ENTR	44	5399.xxx.L	175	5523.xxx.(ASA, FLS)	47	6020.xxx.Suffix	116
5153.xxx	32	5216.xxx.FD	44	5399.xxx.M	175	5523.xxx.P(ASA, FLS)	47	6021.xxx.0004	125
5153.xxx.I	32	5218.xxx.ENTR	44	5399.xxx.N	175	5525.xxx.(ASA)	47	6021.xxx.Suffix	116
5155.xxx	33	5219.xxx.ENTR	44	5399.xxx.O	175	5525.xxx.P(ASA)	47	6025.xxx.Suffix	116
5155.xxx.I	33	5220.xxx.ENTR	44	5440V.xxx.FD	42	5528.xxx.R(L)	48	6037.xxx.XXXX	124
5156.xxx	33	5220.xxx.FD	44	5440V.xxx.MR	26	5600.xxx.R(L,LL)	163	6038.xxx.XXXX	124
5156.xxx.I	33	5221.xxx.ENTR	44	5440V.xxx.PASS	42	5600.xxx.RFD(.LFD)	163	6039.xxx.XXXX	124
5157.xxx	33	5221.xxx.FD	44	5440V.xxx.PRIV	42	5601.xxx	165	6040.xxx	124
5157.xxx.I	33	5223.xxx.ENTR	44	5440V.xxx.RDM(.LDM)	42	5602.xxx.R(L,LL)	163	6040.xxx.R(L)	124
5158.xxx	34	5224.xxx.ENTR	44	5440V.xxx.RMR(.LMR)	26	5602.xxx.RFD(.LFD)	163	6041.xxx	124
5158.xxx.I	34	5225.xxx.ENTR	44	5445V.xxx.FD	42	5603.xxx	165	6041.xxx.R(L)	124
5159.xxx	34	5225.xxx.FD	44	5445V.xxx.MR	26	5604.xxx.R(L,LL)	163	6042.xxx	125
5159.xxx.I	34	5226.xxx.ENTR	44	5445V.xxx.PASS	42	5604.xxx.RFD(.LFD)	163	6043.xxx	124
5160.xxx	34	5226.xxx.FD	44	5445V.xxx.PRIV	42	5606.xxx	165	6043.xxx.R(L)	124
5160.xxx.I	34	5228.xxx.ENTR	44	5445V.xxx.RDM(.LDM)	42	5608.xxx.RSKC(.LSKC)	165	6051.xxx.Suffix	123
5161.xxx.MR	24	5229.xxx.ENTR	44	5445V.xxx.RMR(.LMR)	26	5626.xxx.RSKC(.LSKC)	165	6053.xxx.Suffix	123
5161.xxx.MRPN	24	5237.xxx.ENTR	45	5447V.xxx.FD	43	5628.xxx	165	6055.xxx.Suffix	121
5161.xxx.RMR(.LMR)	24	5237.xxx.FD	45	5447V.xxx.MR	26	5629.xxx.RSKC(.LSKC)	165	6060.xxx.0004	125
5162.xxx.MR	25	5237.xxx.LRFD	45	5447V.xxx.PASS	43	5630.xxx.R(L,LL)	163	6060.xxx.Suffix	121
5162.xxx.MRPN	25	5237.xxx.RENT(.LENT)	45	5447V.xxx.PRIV	43	5630.xxx.RFD(.LFD)	163	6065.xxx.0004	125
5162.xxx.RMR(.LMR)	25	5238.xxx.ENTR	45	5447V.xxx.RDM(.LDM)	43	5631.xxx.RFD(.LFD)	163	6065.xxx.Suffix	121
5164.xxx.MR	25	5238.xxx.FD	45	5447V.xxx.RMR(.LMR)	26	5632.xxx.R(L,LL)	163	6066.xxx.Suffix	116
5164.xxx.MRPN	25	5238.xxx.LRFD	45	5452V.xxx.FD	43	5633.xxx	165	6070.xxx.Suffix	121
5164.xxx.RMR(.LMR)	25	5238.xxx.RENT(.LENT)	45	5452V.xxx.MR	26	5634.xxx.R(L,LL)	163	6075.xxx.Suffix	116
5165.xxx.MR	25	5239.xxx.ENTR	45	5452V.xxx.PASS	43	5634.xxx.RFD(.LFD)	163	6077.xxx.Suffix	116
5165.xxx.MRPN	25	5239.xxx.RENT(.LENT)	45	5452V.xxx.PRIV	43	5636.xxx.R(L,LL)	164	6080.xxx.0004	125
5165.xxx.RMR(.LMR)	25	5241.xxx.ENTR	45	5452V.xxx.RDM(.LDM)	43	5636.xxx.RFD(.LFD)	164	6091.xxx.0004	125

INDEX NUMERICAL

6100.xxx.Suffix	121	6503.xxx.KEOS(KEIS)	89	6546.xxx.ENFD	88	6571.xxx.DBLC	94	6628.xxx.BBFD	82
6110.xxx.0004	125	6503.xxx.KNOS(KNIS)	89	6546.xxx.ENTR	88	6571.xxx.ENFD	94	6628.xxx.DM	82
6110.xxx.Suffix	121	6503.xxx.KNOS(KNIS)	89	6546.xxx.FD	88	6571.xxx.ENTR	94	6634.xxx	91
6130.xxx.Suffix	121	6503.xxx.KTOS(KTIS)	89	6547.xxx.DBLC	84	6571.xxx.FD	94	6634.xxx.DM	91
6150.xxx	122	6503.xxx.KTOS(KTIS)	89	6547.xxx.DM	84	6573.xxx.DBLC	95	6635.xxx	82
6150.xxx.0004	125	6505.xxx.RKC(LKC)	85	6547.xxx.ENFD	84	6573.xxx.ENFD	95	6635.xxx.BB30	82
6150.xxx.0084	125	6505.xxx.RKE(LKE)	85	6547.xxx.ENTR	84	6573.xxx.ENTR	95	6635.xxx.BB75	82
6160.xxx	122	6505.xxx.RKN(LKN)	85	6547.xxx.FD	84	6573.xxx.FD	95	6635.xxx.BBFD	82
6301.xxx.0004	125	6505.xxx.RKT(LKT)	85	6548.xxx.DBLC	89	6599.xxx.THKA	112	6635.xxx.DM	82
6301.xxx.0084	125	6506.xxx.KC	107	6548.xxx.ENFD	89	6599.xxx.THKB	112	6638.xxx	86
6301.xxx.Suffix	116	6506.xxx.KE	107	6548.xxx.ENTR	89	6599.xxx.THKC	112	6638.xxx.DM	86
6310.xxx.0004	125	6506.xxx.KT	107	6548.xxx.FD	89	6599.xxx.THKD	112	6639.xxx	98
6310.xxx.0084	125	6506.xxx.KT	107	6549.xxx.ENFD	85	6599.xxx.THKE	112	6639.xxx.DM	98
6310.xxx.Suffix	116	6513.xxx.KC	93	6549.xxx.RDBL(LDBL)	85	6599.xxx.THKF	112	6641.xxx	100
6315.xxx.Suffix	121	6513.xxx.KC	93	6549.xxx.RENT(LENT)	85	6599.xxx.THKG	112	6641.xxx.BB75	100
6318.xxx.0004	125	6513.xxx.KE	93	6549.xxx.RFD(LFD)	85	6599.xxx.THKH	112	6641.xxx.BBFD	100
6318.xxx.0084	125	6513.xxx.KE	93	6550.xxx.ENFD	85	6599.xxx.THKI	112	6641.xxx.DM	100
6318.xxx.Suffix	121	6513.xxx.KN	93	6550.xxx.RDBL(LDBL)	85	6599.xxx.THKJ	112	6642.xxx.KC	91
6320.xxx.Suffix	116	6513.xxx.KN	93	6550.xxx.RENT(LENT)	85	6599.xxx.THKK	112	6642.xxx.KE	91
6321.xxx.Suffix	116	6513.xxx.KT	93	6550.xxx.RFD(LFD)	85	6599.xxx.THKL	112	6642.xxx.KN	91
6325.xxx.Suffix	116	6514.xxx.KT	108	6551.xxx.DBLC	92	6602.xxx	92	6642.xxx.KT	91
6338.xxx.XXXX	124	6515.xxx.DBLC	76	6551.xxx.ENFD	92	6602.xxx.DM	92	6643.xxx	78
6339.xxx.XXXX	124	6515.xxx.ENFD	76	6551.xxx.ENTR	92	6603.xxx	79	6643.xxx.DM	78
6340.xxx	124	6515.xxx.ENTR	76	6551.xxx.FD	92	6603.xxx.DM	79	6652.xxx	103
6340.xxx.R(L)	124	6515.xxx.FD	76	6552.xxx.DBLC	86	6604.xxx	94	6652.xxx.BB30	103
6341.xxx	124	6515.xxx.KC	76	6552.xxx.DM	86	6604.xxx.DM	94	6652.xxx.BB75	103
6341.xxx.R(L)	124	6515.xxx.KE	76	6552.xxx.ENFD	86	6605.xxx	81	6652.xxx.BBFD	103
6375.xxx.Suffix	116	6515.xxx.KN	76	6552.xxx.ENTR	86	6605.xxx.BB30	81	6652.xxx.RDM(LDM)	103
6401.xxx.ENTR	71	6515.xxx.KT	76	6552.xxx.FD	86	6605.xxx.BB75	81	6690.xxx	109
6401.xxx.FD	71	6516.xxx.DBLC	76	6553.xxx	106	6605.xxx.BBFD	81	6690.xxx.BB75	109
6401.xxx.LENT	71	6516.xxx.ENTR	76	6553.xxx.BB30	106	6605.xxx.DM	81	6690.xxx.BBFD	109
6401.xxx.LFD	71	6516.xxx.FD	76	6553.xxx.BB75	106	6606.xxx	87	6690.xxx.DM	109
6401.xxx.RENT	71	6520.xxx.DBLC	77	6553.xxx.BBFD	106	6606.xxx.DM	87	6701.xxx	54
6401.xxx.RFD	71	6520.xxx.ENFD	77	6554.xxx.DBLC	105	6608.xxx	89	6703.xxx	54
6402.xxx.ENTR	72	6520.xxx.ENFD	77	6554.xxx.DM	105	6608.xxx.BB30	89	6707.009	136
6402.xxx.FD	72	6520.xxx.FD	77	6554.xxx.ENFD	105	6608.xxx.BB75	89	6709.xxx.KC	109
6402.xxx.RENT(LENT)	72	6520.xxx.KC	77	6554.xxx.ENTR	105	6608.xxx.BBFD	89	6709.xxx.KE	109
6402.xxx.RFD(LFD)	72	6520.xxx.KE	77	6554.xxx.FD	105	6608.xxx.DM	89	6709.xxx.KN	109
6403.xxx.ENTR	73	6520.xxx.KN	77	6555.xxx.DBLC	82	6614.xxx	90	6709.xxx.KT	109
6403.xxx.FD	73	6520.xxx.KT	77	6555.xxx.ENFD	82	6614.xxx.DM	90	6714.xxx.KC	100
6403.xxx.RENT(LENT)	73	6525.xxx.KC	78	6555.xxx.ENTR	82	6619.xxx	93	6714.xxx.KE	100
6403.xxx.RFD(LFD)	73	6525.xxx.KE	78	6555.xxx.FD	82	6619.xxx.BB30	93	6714.xxx.KN	100
6420.xxx.ENTR	66	6525.xxx.KN	78	6557.xxx.DBLC	87	6619.xxx.BB75	93	6714.xxx.KT	100
6420.xxx.FD	66	6525.xxx.KT	78	6557.xxx.ENFD	87	6619.xxx.DM	93	6720.xxx	53
6426.xxx.LENT	71	6526.xxx.ENFD	78	6557.xxx.ENTR	87	6620.xxx	108	6721.xxx	53
6426.xxx.LFD	71	6526.xxx.RDBL(LDBL)	78	6557.xxx.FD	87	6620.xxx.DM	108	6722.xxx	53
6426.xxx.RENT	71	6526.xxx.RENT(LENT)	78	6560.xxx.DBLC	88	6621.xxx	88	6724.xxx	53
6426.xxx.RFD	71	6526.xxx.RFD(LFD)	78	6560.xxx.ENFD	88	6621.xxx.BB30	88	6725.xxx	53
6501.xxx.15A	113	6540.xxx.DBLC	79	6560.xxx.ENTR	88	6621.xxx.BB75	88	6727.xxx	53
6501.xxx.15B	113	6540.xxx.ENFD	79	6560.xxx.FD	88	6621.xxx.BBFD	88	6728.xxx	52
6501.xxx.15C	113	6540.xxx.ENTR	79	6562.xxx.DBLC	89	6621.xxx.DM	88	6729.xxx	53
6501.xxx.15D	113	6540.xxx.FD	79	6562.xxx.ENFD	89	6622.xxx	83	6732.xxx	52
6501.xxx.15E	113	6541.xxx.DBLC	80	6562.xxx.FD	89	6622.xxx.BB30	83	6733.xxx	52
6501.xxx.15G	113	6541.xxx.ENFD	80	6563.xxx.DBLC	90	6622.xxx.BB75	83	6733S.xxx	52
6501.xxx.15H	113	6541.xxx.ENTR	80	6563.xxx.ENFD	90	6622.xxx.BBFD	83	6734.xxx	52
6501.xxx.15I	113	6541.xxx.FD	80	6563.xxx.ENTR	90	6622.xxx.BBFD	83	6735.xxx	53
6501.xxx.15J	113	6542.xxx.DBLC	81	6563.xxx.FD	90	6622.xxx.RDM(LDM)	83	6735S.xxx	53
6501.xxx.15L	113	6542.xxx.ENFD	81	6565.xxx.DBLC	91	6624.xxx	102	6737.xxx	129
6501.xxx.15M	113	6542.xxx.ENTR	81	6565.xxx.ENFD	91	6624.xxx.BB30	102	6738.xxx	129
6501.xxx.15N	113	6542.xxx.FD	81	6565.xxx.ENTR	91	6624.xxx.BB75	102	6738S.xxx	129
6501.xxx.15O	113	6543.xxx.DBLC	82	6565.xxx.FD	91	6624.xxx.BBFD	102	6739.xxx	129
6502.009	55	6543.xxx.ENFD	82	6567.xxx.DBLC	92	6624.xxx.RDM(LDM)	102	6743.xxx	129
6502.xxx.KCOS(KCIS)	106	6543.xxx.ENTR	82	6567.xxx.ENFD	92	6627.xxx	104	6743S.xxx	129
6502.xxx.KEOS(KEIS)	106	6543.xxx.FD	82	6567.xxx.ENTR	92	6627.xxx.BB30	104	6748.xxx.A	49
6502.xxx.KNOS(KNIS)	106	6544.xxx.ENFD	83	6567.xxx.FD	92	6627.xxx.BB75	104	6749.xxx.A	49
6502.xxx.KT	106	6544.xxx.RDBL(LDBL)	83	6570.xxx.DBLC	93	6627.xxx.BBFD	104	6750.xxx	52
6503.xxx.KCOS(KCIS)	89	6544.xxx.RENT(LENT)	83	6570.xxx.ENFD	93	6627.xxx.DM	104	6751.xxx	52
6503.xxx.KCOS(KCIS)	89	6544.xxx.RFD(LFD)	83	6570.xxx.ENTR	93	6628.xxx	85	6754.xxx	129
6503.xxx.KEOS(KEIS)	89	6546.xxx.DBLC	88	6570.xxx.FD	93	6628.xxx.BB30	82	6755.xxx	129
						6628.xxx.BB75	82		

6755.xxx.001	129	6802.xxx.Suffix	116	6961.xxx.DBLC	102	6999.xxx.RENT(LENT)(LENT)	109	8244.xxx.PAT	170
6755.xxx.002	129	6810.xxx.Suffix	116	6961.xxx.DM	102	6999.xxx.RFD(LFD)(LFD)	109	8244S.xxx	170
6755.xxx.003	129	6812.xxx.Suffix	116	6961.xxx.ENFD	102	8000.849.STR3	176	8244S.xxx.PAT	170
6756.xxx	52	6830.xxx.Suffix	116	6961.xxx.ENTR	102	8000.xxx.RSTR	176	8252.xxx	173
6757.xxx	129	6832.xxx.Suffix	116	6961.xxx.FD	102	8000.xxx.STR	176	8252.xxx.AC1	169
6760.xxx	52	6845.xxx	121	6962.xxx.DBLC	103	8011.028.0025	136	8253.xxx	173
6760S.xxx	52	6847.xxx	121	6962.xxx.DM	103	8011.039.0023	136	8254.xxx	173
6761.xxx	129	6850.xxx	122	6962.xxx.ENFD	103	8011.039.0027	136	8255.xxx	173
6762.xxx	52	6855.xxx	121	6962.xxx.ENTR	103	8011.109.0022	136	8285.xxx	173
6763.xxx.KC	79	6857.xxx	121	6962.xxx.FD	103	8011.xxx	171	8285.xxx.AC1	169
6763.xxx.KE	79	6860.xxx	122	6963.xxx.ENFD	104	8011.xxx.0020	176	8286.xxx	173
6763.xxx.KN	79	6897.xxx	125	6963.xxx.RDBL(LDBL)	104	8011.xxx.0021	176	8297.xxx	177
6763.xxx.KT	79	6922.xxx.DBLC	96	6963.xxx.RENT(LENT)	104	8011.xxx.0031	176	8300.009.0065	128
6764.xxx	52	6922.xxx.ENFD	96	6963.xxx.RFD(LFD)	104	8011.xxx.KD12	176	8300.009.0066	128
6765.xxx.KC	92	6922.xxx.ENTR	96	6966.xxx.ENFD	106	8021.xxx	171	8300.109.005	128
6765.xxx.KE	92	6922.xxx.FD	96	6966.xxx.RDBL(LDBL)	106	8030.xxx.0003	176	8300.509.004	130
6765.xxx.KN	92	6922.xxx.RDM(LDM)	96	6966.xxx.RENT(LENT)	106	8030.xxx.0005	176	8300.509.AR	128
6767.xxx.KC	86	6931.xxx.ENFD	97	6966.xxx.RFD(LFD)	106	8030.xxx.0510	176	8300.509.EMHT	128
6767.xxx.KE	86	6931.xxx.RDBL(LDBL)	97	6973.xxx.DBLC	107	8031.xxx	171	8300.509.STD	128
6767.xxx.KN	86	6931.xxx.RENT(LENT)	97	6973.xxx.ENFD	107	8031.xxx.KD12	176	8300.xxx	129
6767.xxx.KP	86	6931.xxx.RFD(LFD)	97	6973.xxx.ENTR	107	8031.xxx.KD22	176	8313.329.TPH1	128
6767.xxx.KT	86	6933.xxx.DBLC	101	6973.xxx.FD	107	8031.xxx.SH18	176	8313.329.TPH2	128
6768.xxx	129	6933.xxx.ENFD	101	6973.xxx.RDM(LDM)	107	8031.xxx.TP11	176	8313.509.008	131
6774.xxx.KC	87	6933.xxx.ENTR	101	6974.xxx.DBLC	106	8040.xxx.0004	176	8313.509.009	131
6774.xxx.KE	87	6933.xxx.FD	101	6974.xxx.ENFD	106	8040.xxx.0006	176	8314.xxx	129
6774.xxx.KN	87	6933.xxx.RDM(LDM)	101	6974.xxx.ENTR	106	8040.xxx.0510	176	8320.009.101	130
6774.xxx.KT	87	6938.xxx.DBLC	98	6974.xxx.FD	106	8041.xxx	171	8320.009.102	130
6789.xxx.KC	103	6938.xxx.ENFD	98	6974.xxx.RDM(LDM)	106	8052.xxx.00045	176	8320.009.103	130
6789.xxx.KE	103	6938.xxx.ENTR	98	6975.xxx	80	8053.028.TP1	136	8320.009.202	130
6789.xxx.KN	103	6938.xxx.FD	98	6975.xxx.DM	80	8053.028.TP2	136	8320.009.203	130
6789.xxx.KP	103	6938.xxx.RDM(LDM)	98	6975.xxx.KC	80	8053.028.TP3	136	8320.009.204	130
6789.xxx.KT	103	6939.xxx.DBLC	104	6975.xxx.KE	80	8053.028.TP4	136	8320.009.205	130
6790.xxx.KC	102	6939.xxx.ENFD	104	6975.xxx.KN	80	8053.xxx.TP115	176	8320.009.206	130
6790.xxx.KE	102	6939.xxx.ENTR	104	6975.xxx.KP	80	8053.xxx.TP215	176	8320.009.207	130
6790.xxx.KN	102	6939.xxx.FD	104	6975.xxx.KT	80	8053.xxx.TP325	176	8320.009.208	130
6790.xxx.KP	102	6939.xxx.RDM(LDM)	104	6976.xxx.ENFD	108	8053.xxx.TP425	176	8320.009.209	130
6790.xxx.KT	102	6940.xxx.DBLC	97	6976.xxx.RDBL(LDBL)	108	8053.xxx.TP525	176	8320.152.300	130
6791.xxx.KC	83	6940.xxx.ENTR	97	(LDBL)	108	8090.xxx	177	8320.152.301	130
6791.xxx.KE	83	6940.xxx.FD	97	6976.xxx.RENT(LENT)(LENT)	108	8097.xxx	177	8320.152.302	130
6791.xxx.KN	83	6940.xxx.RDM(LDM)	97	6976.xxx.RFD(LDF)(LFD)	108	8098.xxx.DC03	177	8320.152.303	130
6791.xxx.KT	83	6942.xxx.DBLC	99	6980.xxx.KC	96	8098.xxx.TP03	177	8320.152.304	130
6793.xxx.KC	84	6942.xxx.ENFD	99	6980.xxx.KE	96	8105.xxx	134	8320.152.305	130
6793.xxx.KE	84	6942.xxx.ENTR	99	6980.xxx.KN	96	8105.xxx.7TOP	135	8320.152.306	130
6793.xxx.KN	84	6942.xxx.FD	99	6980.xxx.KP	96	8105.xxx.8TOP	135	8320.152.307	130
6793.xxx.KP	84	6942.xxx.RDM(LDM)	99	6980.xxx.KT	96	8105.xxx.GD	135	8320.152.308	130
6793.xxx.KT	84	6944.xxx.DBLC	100	6986.xxx.KC	99	8105.xxx.R510/L510	135	8320.152.309	130
6794.xxx.KC	94	6944.xxx.ENFD	100	6986.xxx.KE	99	8105.xxx.REPL	135	8320.152.401	136
6794.xxx.KE	94	6944.xxx.ENTR	100	6986.xxx.KN	99	8106, 8107.xxx	135	8321.xxx.DBL	127
6794.xxx.KN	94	6944.xxx.FD	100	6986.xxx.KT	99	8106, 8107.xxx	135	8322.xxx.DBL	127
6794.xxx.KT	94	6948.xxx.ENFD	101	6988.xxx.KC	97	8106.xxx.CVR	135	8323.xxx.DBL	127
6795.xxx.KC	88	6948.xxx.RDBL(LDBL)	101	6988.xxx.KE	97	8106.xxx.E24	135	8323.xxx.DBL	127
6795.xxx.KE	88	6948.xxx.RENT(LENT)	101	6988.xxx.KN	97	8106.xxx.E48	135	8324.xxx.DBL	127
6795.xxx.KN	88	6948.xxx.RFD(LFD)	101	6988.xxx.KT	97	8107.xxx.CVR	135	8325.xxx.DBL	127
6795.xxx.KT	88	6950.xxx.ENFD	102	6991.xxx.KC	104	8107.xxx.E24	135	8325.xxx.DBL	127
6796.xxx.KC	81	6950.xxx.RDBL(LDBL)	102	6991.xxx.KE	104	8107.xxx.E48	135	8326.xxx.DBL	127
6796.xxx.KE	81	6950.xxx.RENT(LENT)	102	6991.xxx.KN	104	8201.xxx.DB	177	8327.xxx.DBL	127
6796.xxx.KN	81	6950.xxx.RFD(LFD)	102	6991.xxx.KP	104	8208.xxx.DB	177	8328.xxx.DBL	127
6796.xxx.KP	81	6951.xxx.DBLC	83	6991.xxx.KT	104	8212.xxx	172	8329.xxx.DBL	127
6796.xxx.KT	81	6951.xxx.ENFD	83	6993.xxx.KC	101	8213.xxx	172	8330.xxx.DBL	127
6797.xxx.KC	82	6951.xxx.ENTR	83	6993.xxx.KE	101	8231.xxx	172	8333.009.007	136
6797.xxx.KE	82	6951.xxx.FD	83	6993.xxx.KN	101	8231.xxx.PAT	172	8333.009.010	136
6797.xxx.KN	82	6952.xxx.ENFD	103	6993.xxx.KT	101	8232.xxx	172	8333.xxx	131
6797.xxx.KP	82	6952.xxx.RDBL(LDBL)	103	6996.xxx.KC	98	8237.xxx	172	8333.xxx.H	131
6798.xxx.KC	95	6952.xxx.RENT(LENT)	103	6996.xxx.KE	98	8237.xxx.0510	176	8440.xxx.001	127
6798.xxx.KE	95	6952.xxx.RFD(LFD)	103	6996.xxx.KN	98	8238.xxx	172	8440.xxx.002	127
6798.xxx.KN	95	6953.xxx	97	6996.xxx.KT	98	8241.xxx	171	8440.xxx.003	127
6798.xxx.KP	95	6953.xxx.RDM(LDM)	97	6999.xxx.ENFD	109	8241.xxx.PAT	171	8440.xxx.004	127
6798.xxx.KT	95	6956.xxx	101	6999.xxx.RDBL(LDBL)	109	8242.xxx	171	8440.xxx.005	127
6800.xxx.Suffix	116	6956.xxx.RDM(LDM)	101	(LDBL)	109	8244.xxx	170	8440.xxx.006	127

INDEX NUMERICAL

8441.xxx	128	85352.xxx.RFD(.LFD)	73	FD2	146	KNIR3	148	MP000.000.FDPTQ	145
8442.xxx	128	85353.xxx.ACRH(.ACLH)	169	FD3	148	KNIR5	152	MP000.xxx.ACTA	149
8443.xxx	128	85354.xxx.ENTR	72	FD4	150	KNIR6	154	MP000.xxx.ACTB	149
8444.xxx	128	85354.xxx.FD	72	FD5	152	KNIR7	158	MP000.xxx.ACTC	149
8471.000	136	85354.xxx.RENT(.LENT)	72	FD6	154	KN02	146	MP000.xxx.ACTD	151
8472.000	136	85354.xxx.RFD(.LFD)	72	FD7	158	KN03	148	MP000.xxx.ACTE	151
8472.000.001	136	85355.xxx.ENTR	68	FD8	160	KN05	152	MP000.xxx.ACTF	151
8472.000.002	136	85355.xxx.FD	68	FDP1	144	KN06	154	MP000.xxx.ACTG	151
8472.000.004	136	85355.xxx.RENT(.LENT)	68	FDP2	146	KNOR2	146	MP000.xxx.ACTI	151
8474.000	136	85355.xxx.RFD(.LFD)	68	FDP3	148	KNOR3	148	MP000.xxx.PATJ	151
8480.000	136	85360.xxx.ENTR	69	FDP4	150	KNOR5	152	MP000.xxx.PATK	151
8481.000.001	136	85360.xxx.FD	69	FDP5	152	KNOR6	154	MP000.xxx.PATL	151
8498.000	128	85365.xxx.2DC	74	FDP6	154	KNOR7	158	MP000.xxx.PATM	151
8530.xxx	120	85365.xxx.2DCR(.2DCL)	74	FDP7	158	KT3	148	MP000.xxx.PATO	151
85305.xxx.DBLC	63	85365.xxx.2ENT	74	FDP8	160	KT5	152	PAT1	144
85305.xxx.ENTR	63	85365.xxx.2FD	74	FWHAP	146	KT6	154	PAT2	146
85305.xxx.FD	63	85365.xxx.2RFD(.2LFD)	74	FWHAX	147	KTA2	146	PAT3	148
85305.xxx.RBLC(.LDBL)	63	85365.xxx.2RH(.2LH)	74	G6010.xxx.Suffix	118	L002.xxx.MR	27	PAT4	150
85305.xxx.RENT(.LENT)	63	85370.xxx.DBLC	67	G6055.xxx.Suffix	118	L002.xxx.RMR(.LMR)	27	PAT5	152
85305.xxx.RFD(.LFD)	63	85370.xxx.ENTR	67	G6060.xxx.Suffix	118	L004.xxx.MR	27	PAT6	154
85315.xxx.DBLC	64	85370.xxx.FD	67	G6065.xxx.Suffix	118	L004.xxx.RMR(.LMR)	27	PAT7	158
85315.xxx.ENTR	64	85375.xxx.DBLC	68	G6075.xxx.Suffix	118	L005.xxx.MR	28	PAT8	160
85315.xxx.FD	64	85375.xxx.ENTR	68	G6077.xxx.Suffix	118	L005.xxx.RMR(.LMR)	28	PKT3	148
85315.xxx.RBLC(.LDBL)	64	85375.xxx.FD	68	G6085.xxx.Suffix	118	L006.xxx.MR	28	PKT5	152
85315.xxx.RENT(.LENT)	64	85380.xxx.DBLC	69	G6090.xxx.Suffix	118	L006.xxx.RMR(.LMR)	28	PKT6	154
85315.xxx.RFD(.LFD)	64	85380.xxx.ENTR	69	G6091.xxx.Suffix	118	L014.xxx.MR	28	RO01.xxx.FD	35
85320.xxx.DBLC	63	85380.xxx.FD	69	G6110.xxx.Suffix	118	L014.xxx.MRPN	28	RO01.xxx.IDM	35
85320.xxx.ENTR	63	85385.xxx.2DCR(.2DCL)	75	G6130.xxx.Suffix	118	L014.xxx.RMR(.LMR)	28	RO01.xxx.IPS	35
85320.xxx.FD	63	85385.xxx.2RFD(.2LFD)	75	G6140.xxx.Suffix	118	L015.xxx.MR	28	RO01.xxx.IPV	35
85320.xxx.RBLC(.LDBL)	63	85385.xxx.2RH(.2LH)	75	G6150.xxx.Suffix	118	L015.xxx.MRPN	28	RO01.xxx.PV	35
85320.xxx.RENT(.LENT)	63	85386.xxx.RBLC(.LDBL)	66	G6160.xxx.Suffix	118	L015.xxx.RMR(.LMR)	28	RO02.xxx.FD	35
85320.xxx.RFD(.LFD)	63	85386.xxx.RENT(.LENT)	66	G6310.xxx.Suffix	118	L016.xxx.MR	28	RO02.xxx.IDM	35
85325.xxx.DBLC	65	85386.xxx.RFD(.LFD)	66	G6318.xxx.Suffix	118	L016.xxx.MRPN	28	RO02.xxx.IPS	35
85325.xxx.ENTR	65	85387.xxx.RENT(.LENT)	74	G6330.xxx.Suffix	118	L016.xxx.RMR(.LMR)	28	RO02.xxx.IPV	35
85325.xxx.FD	65	85387.xxx.RFD(.LFD)	74	G6340.xxx.Suffix	118	L017.xxx.MR	28	RO02.xxx.PS	35
85325.xxx.RBLC(.LDBL)	65	8540.xxx	120	G6350.xxx.Suffix	118	L017.xxx.MRPN	28	RO02.xxx.PV	35
85325.xxx.RENT(.LENT)	65	8545.xxx	120	G6355.xxx.Suffix	118	L017.xxx.RMR(.LMR)	28	RO03.xxx.FD	35
85325.xxx.RFD(.LFD)	65	8550.xxx	120	G6360.xxx.Suffix	118	L018.xxx.MR	28	RO03.xxx.IDM	35
85327.xxx.DBLC	65	8555.xxx	122	G6361.xxx.Suffix	118	L018.xxx.MRPN	28	RO03.xxx.IPS	35
85327.xxx.ENTR	65	8560.xxx	122	G6365.xxx.Suffix	118	L018.xxx.RMR(.LMR)	28	RO03.xxx.IPV	35
85327.xxx.FD	65	8570.xxx	137	G6375.xxx.Suffix	118	M502.xxx.ENTR	110	RO03.xxx.PS	35
85327.xxx.RBLC(.LDBL)	65	8570.xxx.ADAP	137	G6377.xxx.Suffix	118	M502.xxx.FD	110	RO03.xxx.PV	35
85327.xxx.RENT(.LENT)	65	8571.xxx	137	G6385.xxx.Suffix	118	M502.xxx.LENT(.RENT)	110	RO04.xxx.FD	35
85327.xxx.RFD(.LFD)	65	8575.xxx	137	G6390.xxx.Suffix	118	M502.xxx.LFD(.RFD)	110	RO04.xxx.IDM	35
85335.xxx.DBLC	64	8580.xxx	137	G6391.xxx.Suffix	118	M504.xxx.ENTR	110	RO04.xxx.IPS	35
85335.xxx.ENTR	64	8581.xxx	137	K001.xxx.IMR	18	M504.xxx.FD	110	RO04.xxx.IPV	35
85335.xxx.FD	64	8585.xxx	137	K001.xxx.MR	18	M504.xxx.LENT(.RENT)	110	RO04.xxx.PS	35
85337.xxx.ENTR	70	8586.xxx	137	K002.xxx.IMR	18	M504.xxx.LFD(.RFD)	110	RO04.xxx.PV	35
85337.xxx.FD	70	8590.xxx	137	K002.xxx.MR	18	M512.xxx.ENTR	110	RO05.xxx.FD	35
85337.xxx.RENT(.LENT)	70	8591.xxx	137	K003.xxx.IMR	18	M512.xxx.FD	110	RO05.xxx.IDM	35
85337.xxx.RFD(.LFD)	70	8595.xxx	137	K003.xxx.MR	18	M512.xxx.LENT(.RENT)	110	RO05.xxx.IPS	35
85340.xxx.ENTR	70	8596.xxx	137	K004.xxx.IMR	18	M512.xxx.LFD(.RFD)	110	RO05.xxx.IPV	35
85340.xxx.FD	70	9935.999	136	K004.xxx.MR	18	M514.xxx.ENTR	110	RO05.xxx.PS	35
85340.xxx.RENT(.LENT)	70	9940.000.A	136	K005.xxx.IMR	19	M514.xxx.FD	110	RO05.xxx.PV	35
85340.xxx.RFD(.LFD)	70	ACT1	144	K005.xxx.MR	19	M514.xxx.LENT(.RENT)	110	RO06.xxx.FD	35
85345.xxx.2DC	75	ACT2	146	K006.xxx.IMR	19	M514.xxx.LFD(.RFD)	110	RO06.xxx.IDM	35
85345.xxx.2DCR(.2DCL)	75	ACT3	148	K006.xxx.MR	19	M516.xxx.BB30(.BB75)	111	RO06.xxx.IPS	35
85345.xxx.2ENT	75	ACT4	150	KC3	148	M516.xxx.BBFD	111	RO06.xxx.IPV	35
85345.xxx.2FD	75	ACT5	152	KC5	152	M516.xxx.LENT(.RENT)	111	RO06.xxx.PS	35
85345.xxx.2RFD(.2LFD)	75	ACT6	154	KC6	154	M516.xxx.LFD(.RFD)	111	RO06.xxx.PV	35
85345.xxx.2RH(.2LH)	75	ACT7	158	KC7	158	M522.xxx.BB30(.BB75)	111	RO07.xxx.FD	36
8535.xxx	120	ACT8	160	KCA2	146	M522.xxx.BBFD	111	RO07.xxx.IDM	36
85350.xxx.ENTR	67	AIN1	144	KCT7	158	M522.xxx.ENTR	111	RO07.xxx.IPS	36
85350.xxx.FD	67	AIN2	146	KNI2	146	M522.xxx.FD	111	RO07.xxx.IPV	36
85350.xxx.RENT(.LENT)	67	AIN3	148	KNI3	148	M522.xxx.LENT(.RENT)	111	RO07.xxx.PS	36
85350.xxx.RFD(.LFD)	67	AIN4	150	KNI5	152	M522.xxx.LFD(.RFD)	111	RO07.xxx.PV	36
85352.xxx.ENTR	73	AIN5	152	KNI6	154	MP000.000.AINS	145	RO08.xxx.FD	36
85352.xxx.FD	73	AIN6	154	KNI7	158	MP000.000.AINT	145	RO08.xxx.IDM	36
85352.xxx.RENT(.LENT)	73	FD1	144	KNIR2	146	MP000.000.FDPTP	145	RO08.xxx.IPS	36

R008.xxx.IPV	36	R017.xxx.IPV	37	R029.xxx.PV	38	R035.xxx.IPS	39	R041.xxx.FD	40
R008.xxx.PS	36	R017.xxx.PS	37	R029.xxx.RPV(LPV)	38	R035.xxx.PS	39	R041.xxx.IDM	40
R008.xxx.PV	36	R017.xxx.PV	37	R030.xxx.FD	38	R035.xxx.PV	39	R041.xxx.IPS	40
R009.xxx.FD	36	R018.xxx.FD	37	R030.xxx.IDM	38	R035.xxx.RPV(LPV)	39	R041.xxx.PS	40
R009.xxx.IDM	36	R018.xxx.IDM	37	R030.xxx.IPS	38	R036.xxx.FD	39	R041.xxx.PV	40
R009.xxx.IPS	36	R018.xxx.IPS	37	R030.xxx.IPV	38	R036.xxx.IDM	39	R041.xxx.RPV(LPV)	40
R009.xxx.IPV	36	R018.xxx.PS	37	R030.xxx.PS	38	R036.xxx.IPS	39	R042.xxx.FD	40
R009.xxx.PS	36	R025.xxx.FD	37	R030.xxx.PV	38	R036.xxx.IPV	39	R042.xxx.IDM	40
R009.xxx.PV	36	R025.XXX.IDM	37	R031.xxx.FD	38	R036.xxx.PS	39	R042.xxx.IPS	40
R010.xxx.FD	36	R025.xxx.IPS	37	R031.xxx.IDM	38	R036.xxx.PV	39	R042.xxx.IPV	40
R010.xxx.IDM	36	R025.XXX.PS	37	R031.xxx.IPS	38	R037.xxx.FD	39	R042.xxx.PS	40
R010.xxx.IPS	36	R025.xxx.PV	37	R031.xxx.PS	38	R037.xxx.IDM	39	R042.xxx.PV	40
R010.xxx.IPV	36	R025.xxx.RPV(LPV)	37	R031.xxx.PV	38	R037.xxx.IPS	39	R043.xxx.FD	40
R010.xxx.PS	36	R026.XXX.FD	37	R031.xxx.RPV(LPV)	38	R037.xxx.PS	39	R043.xxx.IDM	40
R010.xxx.PV	36	R026.xxx.IDM	37	R032.xxx.ENTR	38	R037.xxx.PV	39	R043.xxx.IPS	40
R011.xxx.FD	36	R026.xxx.IPS	37	R032.xxx.FD	38	R037.xxx.RPV(LPV)	39	R043.xxx.PS	40
R011.xxx.IDM	36	R026.xxx.IPV	37	R032.xxx.IDM	38	R038.xxx.ENTR	39	R043.xxx.PV	40
R011.xxx.IPS	36	R026.xxx.PS	37	R032.xxx.IPS	38	R038.xxx.FD	39	R043.xxx.RPV(LPV)	40
R011.xxx.IPV	36	R026.xxx.PV	37	R032.xxx.PS	38	R038.xxx.IDM	39	R044.xxx.ENTR	40
R011.xxx.PS	36	R027.xxx.FD	38	R032.xxx.PV	38	R038.xxx.IPS	39	R044.xxx.FD	40
R011.xxx.PV	36	R027.xxx.IDM	38	R032.xxx.RPV(LPV)	38	R038.xxx.PS	39	R044.xxx.IDM	40
R012.xxx.FD	36	R027.xxx.IPS	38	R033.xxx.FD	39	R038.xxx.PV	39	R044.xxx.IPS	40
R012.xxx.IDM	36	R027.xxx.IPV	38	R033.xxx.IDM	39	R038.xxx.RPV(LPV)	39	R044.xxx.PS	40
R012.xxx.IPS	36	R027.xxx.PS	38	R033.xxx.IPS	39	R039.xxx.FD	40	R044.xxx.PV	40
R012.xxx.IPV	36	R027.xxx.PV	38	R033.xxx.IPV	39	R039.xxx.IDM	40	R044.xxx.RPV(LPV)	40
R012.xxx.PS	36	R028.xxx.FD	38	R033.xxx.PS	39	R039.xxx.IPS	40	TK001.xxx	53
R012.xxx.PV	36	R028.xxx.IDM	38	R033.xxx.PV	39	R039.xxx.IPV	40	TK002.xxx	53
R016.xxx.FD	37	R028.xxx.IPS	38	R034.xxx.FD	39	R039.xxx.PS	40	TK003.xxx	53
R016.xxx.IDM	37	R028.xxx.PS	38	R034.xxx.IDM	39	R039.xxx.PV	40	TK004.xxx	53
R016.xxx.IPS	37	R028.xxx.PV	38	R034.xxx.IPS	39	R040.xxx.FD	40	TK005.xxx	53
R016.xxx.IPV	37	R028.xxx.RPV(LPV)	38	R034.xxx.PS	39	R040.xxx.IDM	40	U5510.xxx	47
R016.xxx.PS	37	R029.xxx.ENTR	38	R034.xxx.PV	39	R040.xxx.IPS	40		
R016.xxx.PV	37	R029.xxx.FD	38	R034.xxx.RPV(LPV)	39	R040.xxx.PS	40		
R017.xxx.FD	37	R029.xxx.IDM	38	R035.xxx.ENTR	39	R040.xxx.PV	40		
R017.xxx.IDM	37	R029.xxx.IPS	38	R035.xxx.FD	39	R040.xxx.RPV(LPV)	40		
R017.xxx.IPS	37	R029.xxx.PS	38	R035.xxx.IDM	39	R041.xxx.ENTR	40		

INDEX

ALPHABETICAL

ALPHABETICAL INDEX	PAGE
American Cylinder – See Multi-Point	
Armored Fronts	125
Blocking Rings	127
Communicating Door Kit	58
Cremona Bolt	134
Cylinders	
Key Blanks	132
Lock Trim Thickness Index	126
Mortise Cylinders (Single & Double)	127
Cylinders - Accessories	
5-pin Cylinder Spring Covers	128
6-pin Cylinder Spring Covers	128
Adams Rite Cam	128
Cylinder Springs	128
Emhart Cam	128
Mortise Lock Turn Piece Cylinders	128
Residential Trim Marking Template Doors	128
Rim Cylinder Tailpieces	128
Standard Cam	128
Cylinders – C-Keyway Table	127
Cylinders – Cylinder Trim/Collars	
Beaded Cylinder Collar	129
Blocking Rings	129
Colonial Cylinder Collar	129
Compression Cylinder Collar	129
Contemporary Round Collar	129
Contemporary Round Stainless	129
Contemporary Square Collar	129
Contemporary Square Stainless	129
Cylinder Collar	129
Cylinder Lock Cover Plate	129
Dummy Cylinder	129
Lakeshore Cylinder Collar	129
Oval Cylinder Collar	129
Square Cylinder Collar	129
Wrought Cylinder Collar	129
Cylinders - Rim Cylinders	131
Deadbolts	
Arched	173
Bethpage	172
Contemporary	170, 171
Soho	173
Squared	173
Tahoe	172

Traditional	171,172
Deadbolts - Accessories	177
Deadbolts - Conversion Kits	174
Deadbolts - Components Components	
Bethpage Turn Piece	176
Contemporary Inside Cylinder Collar	176
Contemporary Outside Cylinder Collar	176
Contemporary Turn Piece Assembly	176
Cyl. And Tail Piece–Egress Handlesets	176
Cylinder Cap Tool	176
Cylinder Tail Piece	176
Cyl. Threaded Sleeve–Mounting Dbl Cyl. Deadbolt	176
Double Cylinder For Handlesets And Deadbolts	176
Pan Head Thru–Bolt	176
Traditional Inside Cylinder Collar	176
Traditional Outside Cylinder Collar	176
Traditional Turn Piece Assembly	176
Tumbler Springs	176
Turn Piece Tail Piece, Older Style Handleset	176
Deadbolts – Latches	177
Deadbolts - Strikes	
Dust Box	176
Radius Corner Deadbolt Strike	176
Standard Security Deadbolt Strike	176
Deadbolts - Thick Door Kits	
For New Mechanics	175
For Original Mechanics	175
Deadbolts - Trim Rings & Collars	
Cylinder Collar Spacers	177
Double Cylinder Conv. Kit	177
Single Cylinder Conv. Kit	177
Trim Rings	177
Dust Boxes	
For Deadbolt Latch	176
For Interior Tubular Lock (for 5510 Latch)	48
For Mortise Lock	125
Emergency Release Trim & Backplates	54
Entrance Trim (Mortise & Tubular)	
Ashton	74
Atlanta	93
Baltimore	86
Barclay	105
Bethpage	65
Bethpage	70

Bethpage (Mortise)	111
Bismark	99
Blakely	69
Boston	82
Boulder ¾	72
Boulder ¾ (Mortise)	110
Boulder	72
Boulder (Mortise)	110
Bristol (Tubular)	66
Bristol	104
Bristol Lever	104
Bristol Sectional	77
Buckingham	69
Canterbury	63
Chicago	90
Cody ¾	73
Cody ¾ (Mortise)	110
Cody	73
Cody (Mortise)	110
Concord	94
Dallas	97
Denver	97
Detroit	89
Devonshire	71
Edinburgh	103
Edinburgh Sectional	76
Edinburgh (Oval)	76
Fenwick	103
Georgetown	85
Glennon	68
Hamilton	83
Houston	107
Kensington	102
Kensington ¾	78
Kensington (Tubular)	71
Lakeshore	106
Lakeshore Lever	106
Lakewood	96
Lancaster	82
Landon	75
Lexington	88
Logan	64
Logan	64
Madison	63
Manchester	67
Minneapolis	108

Entrance Trim (Mortise & Tubular) (continued)	
Mobile	98
Monterey	91
Nantucket	67
Nashville	84
New York	89
Pasadena	100
Reading	92
Richland	109
Richmond	87
San Diego	79
San Francisco	80
Soho	66
Soho ¾	74
Soho Two-Point	75
Soho (Mortise)	111
Springfield	95
Stanford	83
Stonegate	68
Tahoe	65
Tahoe	70
Tremont	81
Trenton	92
Versailles	101
Victoria	101
Westminster	102
Williamsburg	85
Wilmington	88
Garden/Gliding Door Trim	
Boulder	138
Cody	139
Concord	138
Exterior Locking Cylinder Housing	139
Hamilton	138
Springfield	139
How to Order & Installation	
Essentials	4
Dummy	6
Passage	7
Privacy	8
Installation Tools	
Aligning Bushing	56
Aligning Tool & Bushing	56
Socket Wrench	56
Spanner Tool	56
Keying - Kits & Components	

Bottom Pins	136
Top Pins	136
Master Pins	136
Adams Rite Cams	136
Cam mounting screws	136
Cap	136
Cap tool	136
Cylinder plug follower	136
Finish demonstrator	136
Hotel pin	136
Key gauge	136
Large keying kit for all (C) keying	136
Mounting plate	136
Mounting screws	136
Small keying kit for keying (C) cylinders alike	136
Spacer	136
Spring covers	136
Spring covers	136
Springs	136
Standard cams	136
Stile - right template	136
Tailpiece	136
Tumbler springs	136
Tweezers	136
Washer	136
Keyless Entry - Electronics	
Soho Deadbolt	169
Soho Sectional Handleset Kit	169
Boulder Deadbolt	169
Boulder Sectional Handleset Kit	169
Knobs - Interior A La Carte	
5000.xxx.MR(.IMR)	12
5001.xxx.MR(.IMR)	12
5005.xxx.MR(.IMR)	12
5009.xxx.MR(.IMR)	12
5011.xxx.MR(.IMR)	12
5013.xxx.MR(.IMR)	13
5015.xxx.MR(.IMR)	13
5020.xxx.MR(.IMR)	13
5023.xxx.MR(.IMR)	13
5024.xxx.MR(.IMR)	13
5025.xxx.MR(.IMR)	14
5030.xxx.MR(.IMR)	14
5031.xxx.MR(.IMR)	14
5041.xxx.MR(.IMR)	14
5045.xxx.MR(.IMR)	14

5050.xxx.MR(.IMR)	15
5055.xxx.MR(.IMR)	15
5055S.xxx.MR(.IMR)	19
5057.xxx.MR(.IMR)	15
5060.xxx.MR(.IMR)	15
5061S.xxx.MR(.IMR)	19
5063.xxx.MR(.IMR)	15
5064.xxx.MR(.IMR)	16
5065.xxx.MR(.IMR)	16
5066.xxx.MR(.IMR)	16
5067.xxx.MR(.IMR)	16
5068.xxx.MR(.IMR)	16
5069.xxx.MR(.IMR)	17
5073.xxx.MR(.IMR)	17
5077.xxx.MR(.IMR)	17
5080.xxx.MR(.IMR)	17
K001.xxx.MR(.IMR)	18
K002.xxx.MR(.IMR)	18
K003.xxx.MR(.IMR)	18
K004.xxx.MR(.IMR)	18
K005.xxx.MR(.IMR)	19
K006.xxx.MR(.IMR)	19
Knobs - Interior Tubular Pre-Configured Sets	
5015.xxx.FD(.IDM.,PASS.,PRIV)	41
5020.xxx.FD(.IDM.,PASS.,PRIV)	41
5025.xxx.FD(.IDM.,PASS.,PRIV)	41
5041.xxx.FD(.IDM.,PASS.,PRIV)	42
5077.xxx.FD(.IDM.,PASS.,PRIV)	42
5080.xxx.FD(.IDM.,PASS.,PRIV)	42
Knobs - Tubular Keyed Entry	
Bethpage (5237/5238/5239/5241)	45
Classic (5205/5206/5208/5209)	44
Colonial (5210/5211/5213/5214)	44
Contemporary (5215/5216/5218/5219)	44
Egg (5225/5226/5228/5229)	44
Tahoe (5220/5221/5223/5224)	44
Latches - Tubular	
Passage - Knob Strength	47
Passage - Lever Strength	47
Privacy - Knob Strength	47
Privacy - Lever Strength	47
Keyed Entry	46
Deadbolt Latch	177

INDEX

ALPHABETICAL

Levers - Interior A La Carte	
5101.xxx.MR(.RMR, LMR)	20
5103.xxx.MR(.RMR, LMR)	20
5104.xxx.MR(.RMR, LMR)	20
5105.xxx.MR(.RMR, LMR)	20
5106.xxx.MR(.RMR, LMR)	20
5107.xxx.MR(.RMR, LMR)	21
5108.xxx.MR(.RMR, LMR)	21
5109.xxx.MR(.RMR, LMR)	21
5112.xxx.MR(.RMR, LMR)	21
5113.xxx.MR(.RMR, LMR)	21
5114.xxx.MR(.RMR, LMR)	22
5115.xxx.MR(.RMR, LMR)	22
5116.xxx.MR(.RMR, LMR)	22
5117.xxx.MR(.RMR, LMR)	22
5118.xxx.MR(.RMR, LMR)	22
5121.xxx.MR(.RMR, LMR)	23
5122.xxx.MR(.RMR, LMR)	23
5125.xxx.MR(.RMR, LMR)	23
5132.xxx.MR(.RMR, LMR)	23
5135.xxx.MR(.RMR, LMR)	23
5137.xxx.MR(.RMR, LMR)	24
5138.xxx.MR(.RMR, LMR)	24
5141.xxx.MR(.RMR, LMR)	24
5152.xxx.MR(.RMR, LMR)	24
5161.xxx.MR(.RMR, LMR)	24
5162.xxx.MR(.RMR, LMR)	25
5164.xxx.MR(.RMR, LMR)	25
5165.xxx.MR(.RMR, LMR)	25
5166.xxx.MR(.RMR, LMR)	25
5168S.xxx.MR(.RMR, LMR)	29
5170S.xxx.MR(.RMR, LMR)	29
5172S.xxx.MR(.RMR, LMR)	29
5173S.xxx.MR(.RMR, LMR)	30
5177S.xxx.MR(.RMR, LMR)	30
5190.xxx.MR(.RMR, LMR)	25
5440V.xxx.MR(.RMR, LMR)	26
5445V.xxx.MR(.RMR, LMR)	26
5447V.xxx.MR(.RMR, LMR)	26
5452V.xxx.MR(.RMR, LMR)	26
5455V.xxx.MR(.RMR, LMR)	26

5460V.xxx.MR(.RMR, LMR)	27
5465V.xxx.MR(.RMR, LMR)	27
5485V.xxx.MR(.RMR, LMR)	27
L002.xxx.MR(.RMR, LMR)	27
L004.xxx.MR(.RMR, LMR)	27
L005.xxx.MR(.RMR, LMR)	28
L006.xxx.MR(.RMR, LMR)	28
L014.xxx.MR(.RMR, LMR)	28
L015.xxx.MR(.RMR, LMR)	28
L016.xxx.MR(.RMR, LMR)	28
L017.xxx.MR(.RMR, LMR)	29
L018.xxx.MR(.RMR, LMR)	29

Levers - Interior Tubular Pre-Configured Sets

5440V.xxx.FD(.LDM, .RDM, .PASS, .PRIV)	42
5445V.xxx.FD(.LDM, .RDM, .PASS, .PRIV)	42
5447V.xxx.FD(.LDM, .RDM, .PASS, .PRIV)	43
5452V.xxx.FD(.LDM, .RDM, .PASS, .PRIV)	43
5455V.xxx.FD(.LDM, .RDM, .PASS, .PRIV)	43
5460V.xxx.FD(.LDM, .RDM, .PASS, .PRIV)	43
5485V.xxx.FD(.LDM, .RDM, .PASS, .PRIV)	43

Levers - Tubular Keyed Entry

Bethpage (5237/5238/5239/5241)	45
Classic (5245/5246/5248/5249)	45
Tahoe (5265/5266/5268/5269)	46
Wave (5255/5256/5258/5259)	46

Misc - Replacement Parts **133**

Mortise - Bolts **51**

Mortise - Deadlocks **122**

Mortise - European

How to Order	156
Configuration 7 (72mm CTC)	158
Configuration 8 (85mm CTC)	160

Mortise Locks - Accessories

Strikes	124
Armored Fronts	125
Mortise Locks - Electrical	123
Mortise Locks - Entrance Function	116
Mortise Locks - Grade 1, Light Duty Commercial	118

Mortise Locks - Interior, Heavy Duty	121
Mortise Locks - Interior, Small Case	120

Multi-Point

Configuration 1 (Profile Cylinder Below Handle - 8 1/2" CTC)	144
Configuration 2 (American Cylinder Above Handle - 8 1/2" CTC)	146
Configuration 3 (American Cyl Below Handle - 8 3/8" CTC)	148
Configuration 4 (Profile Cylinder Below Handle - 7 7/8" CTC)	150
Configuration 5 (American Cyl Above/Below Handle - 7 5/8" CTC)	152
Configuration 6 (American Cylinder Above Handle - 7 1/4" CTC)	154

Pre-Drilled Door Accessories

2 1/8" Pre-Drilled Door Adaptor	55
Dummy Insert & Filler Plate	55
Closet Spindles	55

Privacy

Button - Knob Strength	46
Button - Lever Strength	46
Button Extender	46

Rim Locks

Accessories	166
Entrance, Special Function	164
Passage, Privacy, Entrance	163
Rim Cylinders	131
Trim	165

Rosettes

5002	30
5003	30
5004	31
5006	31
5010	31
5016	32
5017	30
5019	32
5021	32
5027	32

Rosettes (continued)	
5028	33
5032	31
5035	33
5038	33
5042	34
5046	31
5047	34
5048	30
5053	32
5056	34
5058	34
5059	34
5062	32
5070	31
5075	33
5076	33
5078	33
5119	32
5123	31
5127	33
5129	33
5134	33
5139	31
5142	34
5146	31
5146	32
5147	34
5148	30
5149	31
5151	31
5153	32
5155	33
5156	33
5157	33
5158	34
5159	34
5160	34
5032S	41
5033S	41
5034S	41

5133S	41
5139S	41
R001	35
R002	35
R003	35
R004	35
R005	35
R006	35
R007	36
R008	36
R009	36
R010	36
R011	36
R012	36
R016	37
R017	37
R018	37
R025	37
R026	37
R027	38
R028	38
R029	38
R030	38
R031	38
R032	38
R033	39
R034	39
R035	39
R036	39
R037	39
R038	39
R039	40
R040	40
R041	40
R042	40
R043	40
R044	40
Sliding Door Locks	137
Spare Parts	
Rose Retainers	56
Screw Bases	55

Screw Covers	55
Set Screw	56
Trim Plates	56
Spindles	
Closet Spindles	55
Dummy Spindles	49
Broached Straight Spindles	50
Broached Swivel Spindles	50
Broached Half Spindles	50
Transitional Straight Spindles	50
Transitional Swivel Spindles	50
Transitional Half Spindles	50
Strikes - Tubular	
T-Strike	48
ASA Strike	48
Extended T Strike	48
Full Lip Strike	48
Extended Full Lip Strike	48
Combination Privacy Strike	48
Strikes - Mortise	
ASA Straight & Curved Lip	124
ASA Extended Lip	124
Deadlock	125
Rabbeted Door	125
Thin & Thick Door Kits	
Thick Door Mortise Kits	112
Thin Steel Door Mortise Kits	113
Thin Steel Door Tubular Kits	113
Tools & Accessories	136
Tubular Entrance Sets - See Entrance Trim	
Tubular Deadbolts - See Deadbolts	
Tubular Keyed Entry Levers - See Levers - Tubular Keyed Entry	
Tubular Keyed Entry Knobs - See Knobs - Tubular Keyed Entry	
Turn Knobs	43
Turn Pieces	42
UL Kits - Passage & Privacy Tubular	47

CONDITIONS OF SALE

TERMS: 2%/25 Days, Net/30

SHIPMENTS: U.S. customers - F.O.B. Charlotte, NC or Reading, Pa. Full freight allowed on purchase orders of \$1,000 net invoice value, sent through routing of our selection. Delivery is made to curb or dock side only. Freight allowed shipments to Alaska will be prepaid to Seattle, to Hawaii will be prepaid to San Francisco, and to Puerto Rico will be prepaid to Miami. Upon delivery to the transportation company, shipments become the property of the purchasers, who assume full risk for loss or damage in transit.

International Customers - Orders of \$1,000 net invoice value will ship FCA to city specified on the commercial invoice. Orders of less than \$1,000 net value will ship EXW. Exceptions will be subject to the INCO terms stated on the commercial invoice. Candian customers should contact their sales reps for variations to these terms.

CLAIMS: All claims, whether referring to errors in prices, or in filling orders or for defective goods, must be submitted IN WRITING within 30 days after receipt of shipment. Tracing of all lost shipments must be submitted IN WRITING within 30 days or the liability and risk is placed on the purchasers. All issued documents by a carrier confirming receipt of a shipment must be honored by the purchasers.

RETURNED GOODS: Returned goods will not be accepted unless authorized in writing by Baldwin within 120 days of invoice date. A minimum 25% handling charge and freight will be charged on all stock items returned in original condition. Special and custom products are not returnable for credit. An 80% handling charge will be imposed on products damaged. No credit will be given for items returned without written authorization, nor will the items be returned to the customer. Authorized returns become void after a period of 30 days from issue date of the Returned Goods Authorization. All credit returns must be shipped to us, FREIGHT PREPAID.

ORDERS: Orders of less than \$250.00 net will automatically incur a \$15.00 surcharge. Most orders for stock items will be shipped within four (4) weeks from receipt of order. To expedite customer orders, items unavailable from stock at time of shipment will be back-ordered unless otherwise noted by customer. Quantities of a particular item will be rounded to the next full box quantity without incurring any obligations for credit. We reserve the right to decline the whole or part of orders in which the price, finishes or quantity of goods is not satisfactory to us. We reserve the right to discontinue items or change specifications at any time without notice and without incurring any obligations. The corporation cannot be liable for extended delivery dates which may result in the cancellation of an order.

CANCELLATIONS: While Baldwin will attempt to comply with customer's written change orders and/or cancellations, we cannot guarantee that they can be accomplished before shipment. Appropriate handling charges on returns will be exercised if the order has been shipped before processing a change order request. All requests must be submitted in writing.

PRICES: The price list in effect on the date customer order is received will determine billing price. Orders requiring delivery in excess of three (3) months will be billed at prices in effect at time of shipment, unless quoted to the contrary in writing by our company.

Orders being held by Baldwin because of account credit status may be repriced to the price in effect the day the order is released by the Baldwin Credit Department.

SPECIFICATIONS: Packing, weights, measurements, and design are subject to change without notice.

SPECIAL FABRICATION: Items of Special Manufacture are not cancelable after a period of 72 hours from receipt of an order. A cancellation of this nature will result in a penalty charge equal to the total expenses incurred on the product. Delivery on orders of special fabrication cannot be guaranteed due to variables beyond our control. The corporation cannot be liable for extended deliveries on special orders and consequently, are not cancelable.

Limited Lifetime Mechanical Warranty: Baldwin warrants that each Baldwin product shall be free of mechanical defect for the original purchaser for as long as you own your home.

Limited Lifetime Finish™ Warranty: The Baldwin Lifetime Finish uses advanced finishing technology (physical vapor deposition) to create a finish highly resistant to the effects of weather and normal wear and tear. The Limited Lifetime Finish Warranty on Lifetime Finish™ products covers the original purchaser for as long as you own your home.

Limited Finish Warranty: The finish on Baldwin products (excluding Lifetime Finish and living finish products) is protected by a durable topcoat designed to maintain the beauty and quality of the Baldwin product. The Baldwin Limited Finish Warranty covers the original purchaser for five years from date of purchase for interior use and one year for exterior use.

Living Finishes: Due to the nature of Baldwin living finish products, they will wear over time and may already have begun the process before reaching your home. No finish warranty is offered on living finish products, which are designed to age and improve over time. Living finishes include raw brass, oil rubbed bronze, stainless steel, and other non-lacquered or non-PVD finishes.

IMPORTANT! You must install Baldwin strikeplate or your warranty is void.

Except as expressly provided in this warranty to the contrary, (a) BALDWIN MAKES NO, AND DISCLAIMS ALL, WARRANTIES, REPRESENTATIONS AND GUARANTEES (WHETHER EXPRESS, IMPLIED OR STATUTORY), INCLUDING, BUT NOT LIMITED TO, ANY IMPLIED WARRANTY OF MERCHANTABILITY OR FITNESS FOR A PARTICULAR PURPOSE, AND (b) BALDWIN SHALL NOT BE OBLIGATED OR LIABLE FOR LABOR OR OTHER COSTS RELATED TO INSTALLATION, REPAIR OR REPLACEMENT OR FOR LOSS OF, OR DAMAGE TO, ANY MATERIAL WHICH IS NOT SOLD BY BALDWIN. IN NO EVENT SHALL THE DURATION OF ANY IMPLIED WARRANTY OF MERCHANTABILITY OR FITNESS FOR A PARTICULAR PURPOSE BE LONGER THAN the lifetime of the applicable product or for as long as the original purchaser owns the product. This warranty is the only express warranty provided by Baldwin. No employee, representative or agent nor any other person has authority to assume or incur on behalf of Baldwin any obligation or liability in place of or in addition to this warranty.

Each of Baldwin's direct customers shall receive any claims and take delivery of any allegedly defective Baldwin products from the consumers and shall communicate and otherwise cooperate in a reasonable manner with Baldwin concerning the administration, processing and remedying of such claims, including, but not limited to, delivering repaired or replacement Baldwin products or, in the appropriate case, purchase price refunds to consumers. Please Note: The limited warranty on all locks or latches is void if used in combination with knobs, levers or trim of other than those manufactured by Baldwin and designated for use with the applicable locks or latches.

STANDARDS OF EXCELLENCE: Baldwin Hardware Corporation has produced a range of products in accordance to the HIGHEST AMERICAN STANDARDS OF QUALITY AND EXCELLENCE. All brass products are manufactured from the finest quality brass obtainable; however, these products are susceptible to indentation and imperfections due to the malleability of the material and the elements of human intervention when crafting the product. Although our internal safeguards protect us against shipping products of unacceptable quality, an imperfection or surface blemish may be considered the highest Quality Standard obtainable on a particular product. Baldwin is committed to producing each item to the most stringent guidelines and quality of human ability and excellence; however, all final decisions of Quality remain exclusively in the authorization of the Corporation. While Baldwin makes every effort to provide an accurate price list, we are not responsible for errors and/or omissions which may appear. Customers will be invoiced the actual price on all orders.

STEP 1

PICK YOUR HANDLESET TRIM, W/ KNOB OR LEVER:

STEP 2

PICK YOUR MORTISE BOX

	Suffix*	Minus Strike*
Right hand	.R	.RDT
Left hand	.L	.LDT
Right hand Reverse bevel	.RR	.RRDT
Left hand Reverse bevel	.LR	.LRDT
Right hand Lever Strength	.RLS	.RLSDT
Left hand Lever Strength	.LLS	.LLSDT
Right hand Reverse bevel Lever Strength	.RRLS	.RRLSDT
Left hand Reverse bevel Lever Strength	.LRLS	.LRLSDT
Right hand Reverse bevel Lever Strength with 1" Front	.RRB1	—
Left hand Reverse bevel Lever Strength with 1" Front	.LRB1	—

Backset	Door Thickness	Function	Mortise Box	HANDLESET X KNOB		HANDLESET X LEVER		KNOB X KNOB	LEVER X LEVER
				Handing	Part Number	Handing	Part Number	Part Number	Part Number
2.75"	1.75" and up	Residential Entrance	6020	R	6020.xxx.R	RLS	6020.xxx.RLS	6001.xxx.R	6001.xxx.RLS
				L	6020.xxx.L	LLS	6020.xxx.LLS	6001.xxx.L	6001.xxx.LLS
				RR	6020.xxx.RR	RRLS	6020.xxx.RRLS	6001.xxx.RR	6001.xxx.RRLS
				LR	6020.xxx.LR	LRLS	6020.xxx.LRLS	6001.xxx.LR	6001.xxx.LRLS
2.75"	1.75" and up	Residential Entrance	6021	R	6021.xxx.R	RLS	6021.xxx.RLS	6075.xxx.R	6075.xxx.RLS
				L	6021.xxx.L	LLS	6021.xxx.LLS	6075.xxx.L	6075.xxx.LLS
		Emergency Egress		RR	6021.xxx.RR	RRLS	6021.xxx.RRLS	6075.xxx.RR	6075.xxx.RRLS
				LR	6021.xxx.LR	LRLS	6021.xxx.LRLS	6075.xxx.LR	6075.xxx.LRLS
2.75"	1.75" and up	Entrance Back-to-Back	6025	-	-	-	-	-	
2.5"	1.375/1.75 and up	Residential Entrance	6320	R	6320.xxx.R	RLS	6320.xxx.RLS	6301.xxx.R	6301.xxx.RLS
				L	6320.xxx.L	LLS	6320.xxx.LLS	6301.xxx.L	6301.xxx.LLS
				RR	6320.xxx.RR	RRLS	6320.xxx.RRLS	6301.xxx.RR	6301.xxx.RRLS
				LR	6320.xxx.LR	LRLS	6320.xxx.LRLS	6301.xxx.LR	6301.xxx.LRLS
2.5"	1.375/1.75 and up	Residential Entrance	6321	R	6321.xxx.R	RLS	6321.xxx.RLS	6375.xxx.R	6375.xxx.RLS
				L	6321.xxx.L	LLS	6321.xxx.LLS	6375.xxx.L	6375.xxx.LLS
		Emergency Egress		RR	6321.xxx.RR	RRLS	6321.xxx.RRLS	6375.xxx.RR	6375.xxx.RRLS
				LR	6321.xxx.LR	LRLS	6321.xxx.LRLS	6375.xxx.LR	6375.xxx.LRLS
2.5"	1.375/1.75 and up	Entrance Back-to-Back	6325	-	-	-	-	-	

STEP 3

PICK YOUR CYLINDER (SEE INSIDE FLAP FOR CYLINDER TABLE)

IF YOUR DOOR IS NOT 1.75" THICK, ALSO REQUIRED:

STEP 4

SPINDLE (SEE CHART)

STEP 5

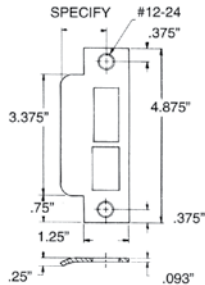
THICK DOOR KIT (DOORS OVER 1.75" AND UP TO 2.25" THICK)

STEP 6

EXTENDED LIP STRIKE

ASA Strikes - Extended Lip

**6037, 6038, 6039
6338, 6339**



**031, 033,
034, 040, 050
060, 102, 112
150, 151, 152
190, 260, 264**

**003
055
056**

Item #	Function		
6037.xxx.XXXX	2.75" backset latch, deadbolt, aux latch		
6038.xxx.XXXX	2.75" backset latch only		
6039.xxx.XXXX	2.75" backset latch, deadbolt	\$65	\$70
6338.xxx.XXXX	1.5," 2," 2.5" backset latch only		
6339.xxx.XXXX	1.5," 2," 2.5" backset latch, deadbolt		

.XXXX indicates Extended Lip to Center size = .R158, .L158, .R178, .L178, .R214, .L214, .R300, .L300

6037, 6038, 6039, 6338, 6339.xxx – EXTENDED LIP STRIKES (HANDED)

- > Use with locks installed on special door/frame conditions
- > Supplied with a curved lip only
- > ALWAYS SPECIFY HAND OF DOOR AND REQUIRED LENGTH
- > Note: Reverse bevel doors use opposite hand for strike selection (ie. Right hand reverse bevel use left hand strike.)
- > Lip to Center lengths:
 - .R158 or .L158 – 1.625" (41mm)
 - .R178 or .L178 – 1.875" (48mm)
 - .R214 or .L214 – 2.25" (57mm)
 - .R300 or .L300 – 3" (76mm)

Lip to Center length determined by the following formula:
 Door thickness ÷ 2 + .375" (10mm) = Lip to Center length
 Round to closest size

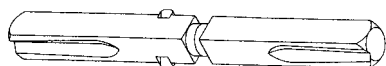
INTERIOR & ENTRANCE HARDWARE SPINDLES

0509 - 0516 Broached Straight Spindles – PASSAGE



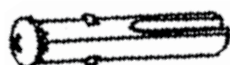
Item #	Description	Size	
0509.004	Broached straight	3"	
0510.004	Broached straight	3.5"	
0511.004	Broached straight	4"	
0512.004	Broached straight	4.5"	
0513.004	Broached straight	5"	\$12
0514.004	Broached straight	5.5"	
0515.004	Broached straight	6"	
0516.004	Broached straight	7"	

0509 - 0516 Broached Swivel Spindles – PRIVACY



Item #	Description	Size	
0519.004	Broached swivel	3"	
0520.004	Broached swivel	3.5"	
0521.004	Broached swivel	4.5"	
0522.004	Broached swivel	4"	\$16
0523.004	Broached swivel	5"	
0524.004	Broached swivel	5.5"	
0525.004	Broached swivel	6.5"	

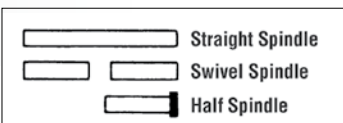
0530 - 0533 Broached Half Spindles – FRONT DOOR (thumbpiece to knob or lever)



Item #	Description	Size	
0530.004	Broached half	2.375"	
0531.004	Broached half	2.875"	
0532.004	Broached half	3.375"	\$12
0533.004	Broached half	2.25"	
0539.004	Broached half	2.625"	

> For mounting all current Estate knobs and levers to thumbpiece of handlesets
> Included with all 'set' orders

SPINDLE CHART & KEY



Door Thickness	1.375"		1.75"		2"		2.25"		2.5"	
	Spindle	Half Spindle	Spindle	Half Spindle	Spindle	Half Spindle	Spindle	Half Spindle	Spindle	Half Spindle
A - .0625"	3.5"	2.25"	4"	2.25"	4"	2.25"	4.5"	2.25"	4.5"	2.375"
B - .0937"	3.5"	2.25"	4"	2.25"	4"	2.25"	4.5"	2.25"	5"	2.375"
C - .125"	3.5"	2.25"	4"	2.25"	4.5"	2.25"	4.5"	2.25"	5"	2.375"
D - .1875"	3.5"	2.25"	4"	2.25"	4.5"	2.25"	4.5"	2.375"	5"	2.375"
E - .25" Estate Roses	3.5"	2.25"	4"	2.25"	4.5"	2.25"	5"	2.375"	5"	2.875"
F - .3125"	4"	2.25"	4.5"	2.25"	5"	2.375"	5"	2.375"	5"	2.875"
G - .375"	4"	2.25"	4.5"	2.25"	5"	2.375"	5.5"	2.875"	5.5"	2.875"
H - .435"	4.5"	2.25"	4.5"	2.375"	5"	2.375"	5.5"	2.625"	5.5"	2.875"
I - .56"	5"	2.25"	5"	2.375"	5.5"	2.625"	6"	2.625"	6"	2.875"
J - .75"	5"	2.625"	5.5"	2.875"	5.5"	2.875"	6"	2.875"	6"	2.875"

.A SUFFIX TRANSITIONAL SPINDLES (OLD STYLE):

For use with all discontinued Estate **threaded** knobs & levers, as well as all current Estate knobs and levers

Transitional Straight Spindles – Passage

Item #	Description	Size	
0509.004.A	Transitional straight	3"	
0510.004.A	Transitional straight	3.5"	
0511.004.A	Transitional straight	4"	
0512.004.A	Transitional straight	4.5"	
0513.004.A	Transitional straight	5"	\$17
0514.004.A	Transitional straight	5.5"	
0515.004.A	Transitional straight	6"	
0516.004.A	Transitional straight	7"	

Transitional Swivel Spindles – Privacy

Item #	Description	Size	
0519.004.A	Transitional swivel	3"	
0520.004.A	Transitional swivel	3.5"	
0521.004.A	Transitional swivel	4.5"	
0522.004.A	Transitional swivel	4"	\$21
0524.004.A	Transitional swivel	5"	
0525.004.A	Transitional swivel	6.5"	

Transitional Half Spindles – Front Door (thumbpiece to knob or lever)

Item #	Description	Size	
0530.004.A	Transitional half	2.375"	
0531.004.A	Transitional half	2.875"	
0532.004.A	Transitional half	3.375"	\$17
0533.004.A	Transitional half	2.25"	

Questions? Please call Customer Service:
TEL: 800.437.7448 8AM – 5PM EST FAX: 800.255.9785

CYLINDERS C KEYWAY TABLE

Single Cylinder – C Keyway

Door Thickness	1.375"		1.75"		2"		2.25"		2.5"	
	Cylinder Length	Blocking Ring	Cylinder Length	Blocking Ring	Cylinder Length	Blocking Ring	Cylinder Length	Blocking Ring	Cylinder Length	Blocking Ring
A - .0625"	1" 8321.xxx	.1875" 8440.xxx.5	1" 8321.xxx	—	1.125" 8322.xxx	—	1.25" 8323.xxx	—	1.375" 8324.xxx	—
B - .0937"	1" 8321.xxx	.1562" 8440.xxx.4	1" 8321.xxx	—	1.125" 8322.xxx	—	1.25" 8323.xxx	—	1.375" 8324.xxx	—
C - .125"	1" 8321.xxx	.125" 8440.xxx.3	1.125" 8322.xxx	—	1.125" 8322.xxx	—	1.25" 8323.xxx	—	1.375" 8324.xxx	—
D - .1875"	1" 8321.xxx	—	1.125" 8322.xxx	—	1.25" 8323.xxx	—	1.375" 8324.xxx	—	1.5" 8325.xxx	—
E - .25"	1" 8321.xxx	—	1.25" 8323.xxx	—	1.25" 8323.xxx	—	1.375" 8324.xxx	—	1.5" 8325.xxx	—
F - .3125"	1.125" 8322.xxx	—	1.25" 8323.xxx	—	1.375" 8324.xxx	—	1.5" 8325.xxx	—	1.625" 8326.xxx	—
G - .375"	1.125" 8322.xxx	—	1.25" 8323.xxx	—	1.375" 8324.xxx	—	1.5" 8325.xxx	—	1.625" 8326.xxx	—
H - .435"	1.125" 8322.xxx	—	1.375" 8324.xxx	—	1.5" 8325.xxx	—	1.625" 8326.xxx	—	1.75" 8327.xxx	—
H1 - .53"	1.125" 8322.xxx	—	1.5" 8325.xxx	—	1.625" 8326.xxx	—	1.75" 8327.xxx	—	2" 8328.xxx	—
I - .56"	1.125" 8322.xxx	—	1.5" 8325.xxx	—	1.625" 8326.xxx	—	1.75" 8327.xxx	—	2" 8328.xxx	—
J - .75"	1.5" 8325.xxx	—	1.625" 8326.xxx	—	1.75" 8327.xxx	—	2" 8328.xxx	.125" 8440.xxx.3	2" 8328.xxx	—

Item #	Description	031, 033, 040, 050, 060, 102, 112, 150, 151, 152, 190, 260, 264	003, 055, 056
8321.xxx	1" Mortise Cyl.		
8322.xxx	1.125" Mortise Cyl.		
8323.xxx	1.25" Mortise Cyl.	\$50	\$55
8324.xxx	1.375" Mortise Cyl.		
8325.xxx	1.5" Mortise Cyl.		
8326.xxx	1.625" Mortise Cyl.		
8327.xxx	1.75" Mortise Cyl.		
8328.xxx	2" Mortise Cyl.	\$110	115
8329.xxx	2.25" Mortise Cyl.		
8330.xxx	2.5" Mortise Cyl.		

NOTE: When ordering cylinders for **G-SERIES MORTISE LOCKS**, use this chart, but add a suffix 'EMHT' to the end of the Item #. (same price as standard C keyway cylinders)

EXAMPLE:
Lifetime Polished Brass 1.25" cylinder for G-series mortise
8323.003.EMHT

8321-8330



Double Cylinder - C Keyway

Door Thickness	1.375"		1.75"		2"		2.25"		2.5"	
	Cylinder Length	Blocking Ring	Cylinder Length	Blocking Ring	Cylinder Length	Blocking Ring	Cylinder Length	Blocking Ring	Cylinder Length	Blocking Ring
A - .0625"	1" 8321.xxx.DBL	.2812"+ 8440.xxx.7	1" 8321.xxx.DBL	.1875" 8440.xxx.5	1" 8321.xxx.DBL	—	1.125" 8322.xxx.DBL	—	1.25" 8323.xxx.DBL	—
B - .0937"	1" 8321.xxx.DBL	.25"+ 8440.xxx.6	1" 8321.xxx.DBL	.125" 8440.xxx.3	1.125" 8322.xxx.DBL	.0625" 8440.xxx.1	1.25" 8323.xxx.DBL	.0625" 8440.xxx.1	1.375" 8324.xxx.DBL	.0625" 8440.xxx.1
C - .125"	1" 8321.xxx.DBL	.2187"+ 8440.xxx.6	1" 8321.xxx.DBL	.0625" 8440.xxx.1	1.125" 8322.xxx.DBL	.0625" 8440.xxx.1	1.25" 8323.xxx.DBL	.0625" 8440.xxx.1	1.375" 8324.xxx.DBL	.0625" 8440.xxx.1
D - .1875"	1" 8321.xxx.DBL	.1526"+ 8440.xxx.4	1.125" 8322.xxx.DBL	.093"+ 8440.xxx.2	1.125" 8322.xxx.DBL	—	1.25" 8323.xxx.DBL	—	1.375" 8324.xxx.DBL	—
E - .25"	1" 8321.xxx.DBL	.1875" 8440.xxx.5	1.125" 8322.xxx.DBL	.0625" 8440.xxx.1	1.25" 8323.xxx.DBL	.0625" 8440.xxx.1	1.375" 8324.xxx.DBL	.0625" 8440.xxx.1	1.5" 8325.xxx.DBL	.0625" 8440.xxx.1
F - .3125"	1" 8321.xxx.DBL	.0625" 8440.xxx.1	1.25" 8323.xxx.DBL	.093"+ 8440.xxx.2	1.25" 8323.xxx.DBL	—	1.375" 8324.xxx.DBL	—	1.5" 8325.xxx.DBL	—
G - .375"	1" 8321.xxx.DBL	—	1.25" 8323.xxx.DBL	.0625" 8440.xxx.1	1.375" 8324.xxx.DBL	.0625" 8440.xxx.1	1.5" 8325.xxx.DBL	.0625" 8440.xxx.1	1.625" 8326.xxx.DBL	.0625" 8440.xxx.1
H - .435"	1.125" 8322.xxx.DBL	.0625" 8440.xxx.1	1.25" 8323.xxx.DBL	—	1.5" 8325.xxx.DBL	.0625"+ 8440.xxx.1	1.5" 8325.xxx.DBL	—	1.625" 8326.xxx.DBL	—
I - .5625"	1.125" 8322.xxx.DBL	.0937"+ 8440.xxx.2	1.5" 8325.xxx.DBL	.0625" 8440.xxx.1	1.5" 8325.xxx.DBL	.0625" 8440.xxx.1	1.625" 8326.xxx.DBL	.156"+ 8440.xxx.4	2" 8328.xxx.DBL	.0625" 8440.xxx.1
J - .75"	1.5" 8325.xxx.DBL	.0937"+ 8440.xxx.2	1.625" 8326.xxx.DBL	.0625" 8440.xxx.1	1.75" 8327.xxx.DBL	.0625" 8440.xxx.1	2" 8328.xxx.DBL	.156"+ 8440.xxx.4	2" 8328.xxx.DBL	.0625" 8440.xxx.1
F - .3125" Exterior	1" 8321.xxx	—	1.125" 8322.xxx	—	1.25" 8323.xxx	—	1.375" 8324.xxx	—	1.5" 8325.xxx	—
K - .875" Exterior	1.5" 8325.xxx	—	1.75" 8327.xxx	—	2" 8328.xxx	.125" 8440.xxx.3	2" 8328.xxx	—	2.25" 8329.xxx	.125" 440.xxx.3

Item #	Description	031, 033, 040, 050, 060, 102, 112, 150, 151, 152, 190, 260, 264	003, 055, 056
8321.xxx.DBL	1" Double Cyl.		
8322.xxx.DBL	1.125" Double Cyl.		
8323.xxx.DBL	1.25" Double Cyl.	\$100	\$110
8324.xxx.DBL	1.375" Double Cyl.		
8325.xxx.DBL	1.5" Double Cyl.		
8326.xxx.DBL	1.625" Mortise Cyl.		
8327.xxx.DBL	1.75" Mortise Cyl.		
8328.xxx.DBL	2" Mortise Cyl.	220	230
8329.xxx.DBL	2.25" Mortise Cyl.		
8330.xxx.DBL	2.5" Mortise Cyl.		

Blocking Rings

Item #	Description	031, 033, 040, 050, 060, 102, 112, 150, 151, 152, 190, 260, 264	003, 055, 056
8440.xxx.001	.0625" - 1/16" B.R.		
8440.xxx.002	.0937" - 3/32" B.R.		
8440.xxx.003	.125" - 1/8" B.R.		
8440.xxx.004	.1562" - 5/32" B.R.	\$15	\$20
8440.xxx.005	.1875" - 3/16" B.R.		
8440.xxx.006	.25" - 1/4" B.R.		

8440



+ Two Blocking Rings Required

*Cylinders NOT available in Distressed finishes, non-distressed equivalents: 402=102, 412=112, 452=152

Questions? Please call Customer Service:
TEL: 800.437.7448 8AM – 5PM EST FAX: 800.255.9785

BALDWIN[®]
BALDWINHARDWARE.COM

19701 DA VINCI · LAKE FOREST · CALIFORNIA · 92610

1.800.437.7448

17093

©2012 BALDWIN HARDWARE CORP. READING, PA. USA